

CB4000

POLYCHEM[®]
PLASTIC STRAPPING SYSTEMS

IN-LINE CORRUGATED BUNDLER AUTOMATIC STRAPPING MACHINE

**UP TO
30
BUNDLES PER
MINUTE!**



Both
Conveyor Beds
Open 270°

Industry Exclusive Features

- **Full Color Touch Screen Controls**
 - User Friendly Operation
 - Diagnostics
 - Easy Batch Programming for Quick Product Changes
- **Both Conveyor Beds Open a Full 270° for Easy Access**



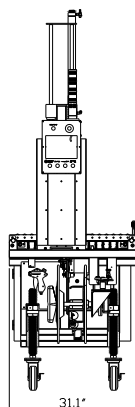
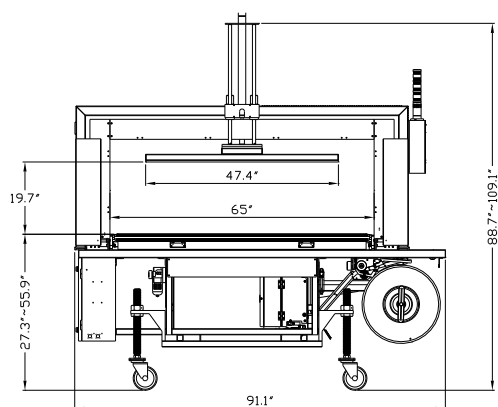
CB4000 In-Line Corrugated Bundler Automatic Strapping Machine



The CB4000 in line corrugated bundler incorporates the latest servo motor technology that provides the ultimate in reliability. This technology also provides high speed production rates, 40% less moving parts and minimal maintenance requirements. The CB4000 includes

new and exclusive features only available on this innovative in line corrugated bundler. All features are standard and are included with no additional cost.

Dimensions

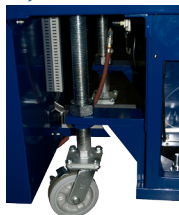


Specifications

Cycle Rate:	Up to 30 bundles per minute depending on arch and package size
Arch Sizes:	65" Standard / 49" Optional
Conveyor Speed:	Variable (30 FPM - 180 FPM)
Conveyor Height:	27"-55"
Strap Tension:	1-66LBS (5mm) / 1-110LBS (9mm)
Polypropylene Strap:	5mm, 6mm, 9mm Polypropylene on 8x8 or 9x8 Cores
Electrical Requirements:	220 / 480, 60Hz, 3 Phase
Air Requirements:	4 CFM @ 90 PSI
Shipping Weight:	1,330 lbs

Four tier LED status light tower

Extra Heavy Duty Adjustable Castors



Standard Features

Electrical

- Full color touch screen provides user friendly operation, diagnostics and easy batch programming for quick product changes.
- Off the shelf Mitsubishi PLC, Yaskawa servo motors, drives and electrical components. All solid state photo cells and sensors.
- Four tier LED status light tower.
- Variable speed conveyor.
- Up and down stream interlocks for communication.
- Conveyor sleep mode for power and wear reduction.
- Long life heater blade with fume exhaust system.

Mechanical

- Both conveyor beds open a full 270 degrees for easy access and maintenance.
- Strap reel turns 90 degrees for good ergonomics and easy coil changes.
- Automatic waist high strap loading is quick, easy and ergonomic.
- Automatic strap eject at the end of a coil.
- Automatic loop ejector prevents strap jams during accidental strap cycles.
- One piece plastic strap track for highly reliable and consistent strap feeding.
- Heaviest casters, legs and frame in the industry provides durability.
- Dual pneumatic compression device for bundle conditioning.

Options

- Box Frame for additional conveyor height



CALL TOLL FREE 1-888-POLYCHEM
www.polychem.com

6277 HEISLEY ROAD
MENTOR, OHIO 44060
(440) 357-1500
FAX (440) 352-9553

or 1-888-765-9243

WEST COAST DISTRIBUTION CENTER
11920 ALTAMAR PLACE
SANTA FE SPRINGS, CA 90670
(562) 903-4579
FAX (562) 903-4579
1-800-899-0822

