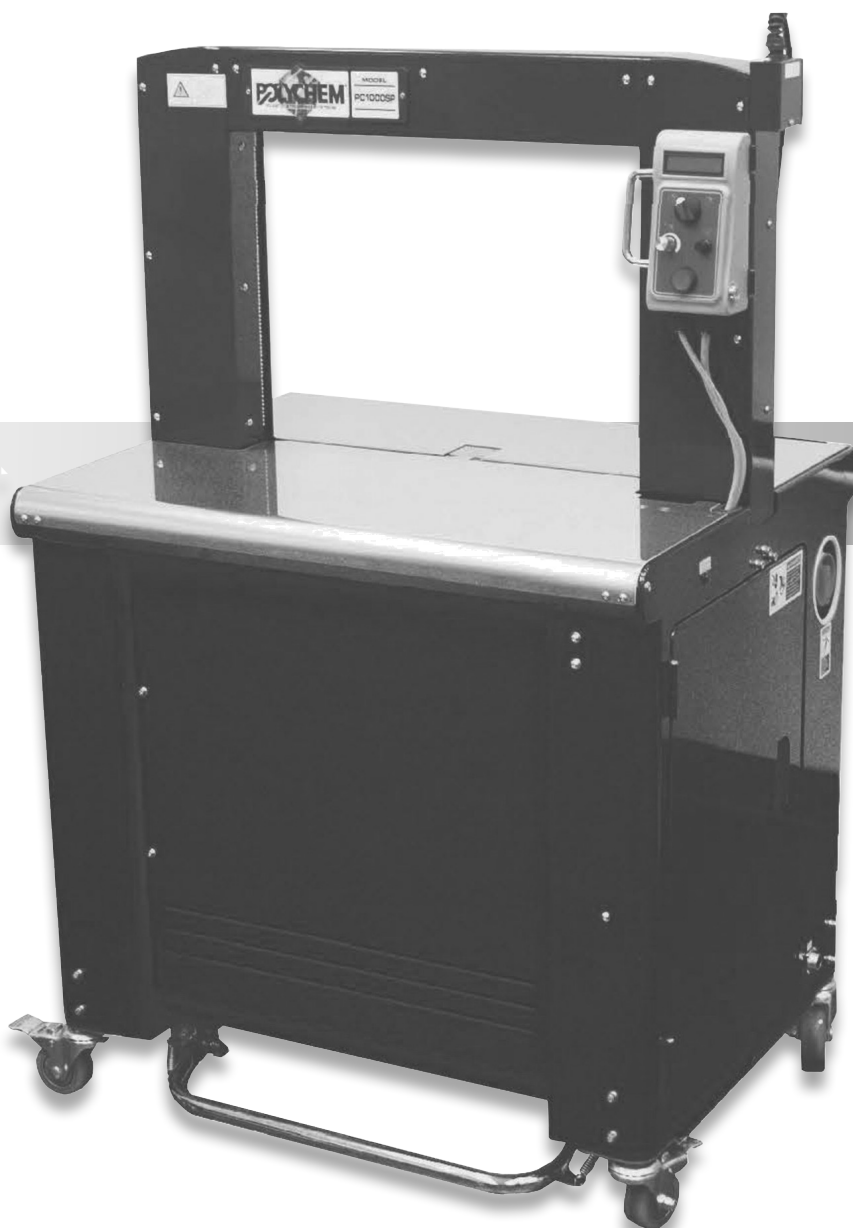




PC1000P PC1000SP

OPERATION MANUAL | SPARE PARTS LIST



POLYCHEM CORPORATION
6277 HEISLEY ROAD, MENTOR, OHIO 44060
PHONE: 440.357.1500, FAX: 440.352.9553
WWW.POLYCHEM.COM

CONTENTS

PART I

1	General Safety Instructions.....	A1
1.1	Basic Operation	A1
1.2	Basic Safety Precautions	A1
1.3	Safety Instructions Governing Specific Operational Phases	A2
1.4	Warning of Electrical Dangers	A3
1.5	Grounding Instructions Shall Include the Following	A3
1.6	Before Operating	A4
1.7	During Operation	A4
1.8	After Operating	A4
1.9	Signs and Symbols	A5
2	Machine Information	A6
2.1	Areas of Application	A6
2.2	Environment Information.....	A6
2.3	Storage	A7
2.4	Machine Description	A7
2.5	Safety Devices.....	A8
2.6	Technical Specification	A9

3	Preparation Before Operating the Machine	A12
3.1	Shipping	A12
3.2	Transportation & Centre of Gravity.....	A12
3.3	Construction Layout.....	A13
3.4	Installation.....	A16
3.5	Operation Space	A19
3.6	Operating Elements	A20
3.7	Instructions for Loading PP Strap	A22
3.8	Auto Strap Feeding Process	A24
4.	Operating the Machine.....	A26
4.1	Soft Tension Operation.....	A26
4.2	High Tension Operation	A26
4.3	Function Encoder	A27
5.	Adjustments	A28
5.1	Strap Amount in the Accumulator Box	A28
5.2	Adjustment for Feeding Pressure to the Accumulator Box	A29
5.3	Adjustment for Heater Temperature.....	A30
5.4	Necessary Adjustments After Changing Strap Width.....	A30
5.5	Adjustment for Feeding/Reversing Pressure	A33
5.6	Adjustment on Tensioning Rollers for High Tension	A34

5.7	Speed and Pressure Adjustment of Press Bar	A35
5.8	Adjustment on the Stop position (height) of Press Bar	A36
6.	Troubleshooting	A36
7.	Maintenance.....	A39

PART II

1.	Pneumatic System Diagram (For TP-702P).....	B1
2.	Wiring Diagram.....	B2

PART III

1.	Strapping Head Unit	C1
2.	Bandway Unit	C43
3.	Accumulator Unit	C73
4.	Reel Control Group	C99
5.	Body Frame Unit	C107
6.	Electric Control Unit	C151
8.	Pneumatic Unit	C171

PART I

1 General Safety Instructions

1.1 Basic Operation

- Read the operation and safety manual prior to using the strapping machine.
- The operation and safety manual should remain attached to the machine at all times.
- The machine may only be operated in accordance with its designated use.
- The strapping machine was built in accordance with state-of-the-art standards and recognized safety rules. Nevertheless, improper use can still result in injury to personnel or damage to the machine and other material property.
- Machine shall only be operated by trained personnel.
- Perform inspections and maintenance at regular intervals. Refer to the Maintenance section of the manual.
- The machine may not be put in operation before checking the respective devices.
- Safety devices must never be bridged or eliminated by any means.
- To transport the equipment only use lifting apparatus and loading devices with sufficient capacity.
- Always disconnect from external power supply when changing the location of the machine, even if the location should only be slightly changed. Connect power supply properly before returning to service.
- Do not alter or bypass protective interlocks.
- Do not alter circuits and machine unless authorized to do so by the manufacturer.

1.2 Basic Safety Precautions

- In addition to the instructions for operation, the user is to be instructed in all generally applicable legal or mandatory regulations relevant to safety or the environment.
- Long hair, loose-fitting garments, or jewelry can be a safety hazard. These items must be secured prior to equipment operation.
- Use protective equipment whenever appropriate or when required by law.
- Carefully observe all safety instructions and warnings attached to the machine. Keep safety labels clean and legible.
- People that are being trained to operate or service the equipment must be supervised by experienced personnel.
- Any electrical work performed on the equipment must be conducted by a skilled electrician or under the supervision of a skilled electrician. All work must be observed good electrical engineering practice and follow safety rules and local wiring standards.

1.3 Safety Instructions Governing Specific Operational Phases

- Avoid unsafe operation of the equipment.
- The machine is only to be operated when it is in good running order. Only operate the equipment in a safe manner; all protective and safety devices must be in place and fully functional. This includes removable safety devices, emergency shut-off equipment, noise-protection devices and exhaust fans.
- The machine is to be checked for damage and defects at least once each work shift. Any changes, including the working behavior of the machine, are to be reported immediately. If necessary, the machine is to be stopped and locked-out immediately.
- In case of a malfunction, the strapping machine is to be immediately stopped and locked-out until the fault has been eliminated.
- Before starting the strapping machine, make sure that the area is clear and safe.
- Do not place any tools or parts onto the machine.
- Operating personnel needs to be well trained before executing special operations and maintenance work; this work needs to be done with the proper supervision.
- Always check and tighten connections after maintenance or repair.
- After completing maintenance or repair, all safety devices must be replaced and checked for functionality before operating the equipment.
- To minimize the environmental impact, all consumables and replaced parts must be disposed of safely.
- Before starting the machine, check that the accessories have been stowed away safely.
- Avoid operating the machine in a fashion that could upset its stability.

1.4 Warning of Electrical Dangers

- Immediately remove power to the machine in case of trouble in the electrical system. Replace a fuse with one with the same style and ratings; pay particular attention to matching the specified current.
- Any electrical work performed on the equipment must be conducted by a skilled electrician or under the supervision of a skilled electrician. All work must be observed good electrical engineering practice and follow safety rules and local wiring standards.
- Inspect the electrical equipment of the machine at regular intervals. Tighten any loose connections. Check wiring for scorch marks; replace scorched wiring and determine and correct the reason for the overheating.
- When working on live equipment, ensure that a second person is available to cut power in case of an emergency. When appropriate, secure the working area with safety tape and a warning sign. Use insulated tools for electrical work.
- Before working on high-voltage assemblies, turn off the power supply. Carefully discharge the supply cable and short-circuit any energy-storage components such as capacitors.
- If the equipment was moved, carefully refit and refasten all parts removed for transport before reapplying power.
- Before moving the machine, remember to disconnect the power cable.

1.5 Grounding Instructions Shall Include the Following

- This product must be grounded. In the event of an electrical short circuit, grounding reduces the risk of electric shock. This product is equipped with a cord that has a grounding wire and an appropriate grounding plug. The plug must be plugged into an outlet that is properly installed and grounded in accordance with all local codes and ordinances.
- If repair or replacement of the cord or plug is necessary, connect the ground wire to the ground terminal of the plug. The wire with green insulation (with or without yellow stripes) is the grounding wire.
- Check with a qualified electrician or service person if the grounding instructions are not clear or if in doubt about the proper grounding of the machine. Do not modify the plug provided; if it will not fit the power outlet, have the proper outlet installed by a qualified electrician.

DANGER!

Improper installation of the grounding can result in electrocution.

1.6 Before Operating

- Read the instruction manual before operating the machine for your safety.
- Wear eye protection and safety gloves before operating this machine.



Eye protection must be worn Safety gloves must be worn Ear protection must be worn

- Verify that the power line voltage is correct.
- The machine must be properly grounded to avoid a shock hazard. All wiring must be in accordance with local wiring standards.
- The strapping machine can only be operated with polypropylene (PP) strapping; do not use polyester (PET) strapping or polyethylene (PE) cord strap.
- Verify the Pneumatic air is 6 bar (TP-702P).

1.7 During Operation

- The weight of the package cannot exceed 70kg for TP-702P and cannot exceed 50kg for TP-702RS. For package weight over 25kg, it may be necessary to use lifting aids for handling; while package weight over 40kg, it's necessary to handle it with conveyor system.
- The size of the package should not be less than 70 mm × 20 mm (2.75 inches × 0.75 inches) for TP-702P, and the package should not be less than 40mm × 10mm (1.5 inches × 0.375inches) or Ø32mm × 2pcs for TP-702RS.
- While running, check the unit for any unusual sounds or smoke emissions.
- Keep away from the inside of the arch while the machine is operating; do not put your hands or body into the arch when the machine is running.

NOTE: It is normal for the heater tongue to smoke during the sealing operation.

1.8 After Operating

- Remove dust and dirt from the unit; pay particular attention to the interior of the arch.
- Turn off the power when the machine is not in use.

1.9 Signs and Symbols

Symbol	Meaning
	<p>Warning for dangerous voltage! Contact with live electrical parts will result in severe injury or death.</p>
	<p>Warning for hot surface! Welding area is approximately 270°C (520°F) Allow sufficient time for the heater to cool down before any work in welding area.</p>
	<p>Warning for danger! Do not put your hands or body into arch working area when machine is operating.</p>
	<p>Warning for danger! Do not put your hands or body into arch working area when machine is operating.</p>

2 Machine Information

2.1 Areas of Application

The strapping machine is to be used for strapping packages, cartons, paper boxes, newspapers, magazines and those materials using a polypropylene (PP) strapping for stabilizing purposes when in transportation. Be careful for rigidity of working materials, and don't try to pack agri-foodstuffs or other such material.

This machine was designed for certain applications only. We strongly recommend that this machine **NOT** be modified and/or used for any application other than for which it was designed. If you have any questions relative to its application **DO NOT** use the machine until you have had detail instruction from your dealer.

2.2 Environment Information

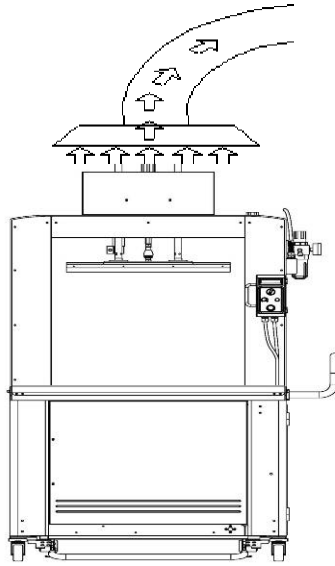
The strapping machine shall be installed in the following conditions:

- Supply voltage: 0.9 - 1.1 nominal supply voltage
- Source frequency: 0.99 - 1.01 nominal frequency
- Ambient temperature: 5°C - 40°C (41°F-104°F).
- Altitude: shall be at altitudes up to 1000m above mean sea level.
- Relative humidity: not exceed 50% at 40°C.
- Atmosphere: Free from excessive dust, acid fume, corrosive gases and salt.
- Avoid exposing to abnormal vibration.
- Don't use machine in dangerous environment.
- Don't use machines in damp or wet locations, or expose them to rain.
- Please provide a suitable illumination around the machine for safety operation.
- Work place of user should have a fire extinguisher or other devices that meet their local safety regulations, and always be careful.
- Internal parts requiring frequent inspection and adjustment, and maintenance areas must be provided with a suitable illumination around the machine.

If there may be harmful gases, fumes or dust generated during heating, user or system integrator must install exhaust system for the extraction of harmful substances.

The exhaust system shall be positioned according to the vent location. Please refer to the figure.

And the user should refer to a professional expert or relevant authority to prevent the dangerous substance/ gas emitted by suitable means according to local /national environmental/health codes/regulations.




2.3 Storage

- The store room must be dry
- Do not expose the machine to extreme cold or heat environment
- Place the machine on an even floor in order to avoid any distortion

2.4 Machine Description

- Automatic strapping machine for polypropylene (PP) strapping material.
- Strap width from 5mm to 9mm.
- Electronic heater temperature control.
- Hinged front table.
- Automatic strap loop ejection in case of strapping cycle without package.
- Extra tough construction.
- Simple, safe and user-friendly operation.
- Automatic strap feeding system.
- Automatic strap end detection.
- Mobile, with large table area and high capacity strap reel
- Table surface made of stainless steel.
- Strap tension adjustable from soft to very high.
- With press bar to hold on package while strapping. (For TP-702P-59)

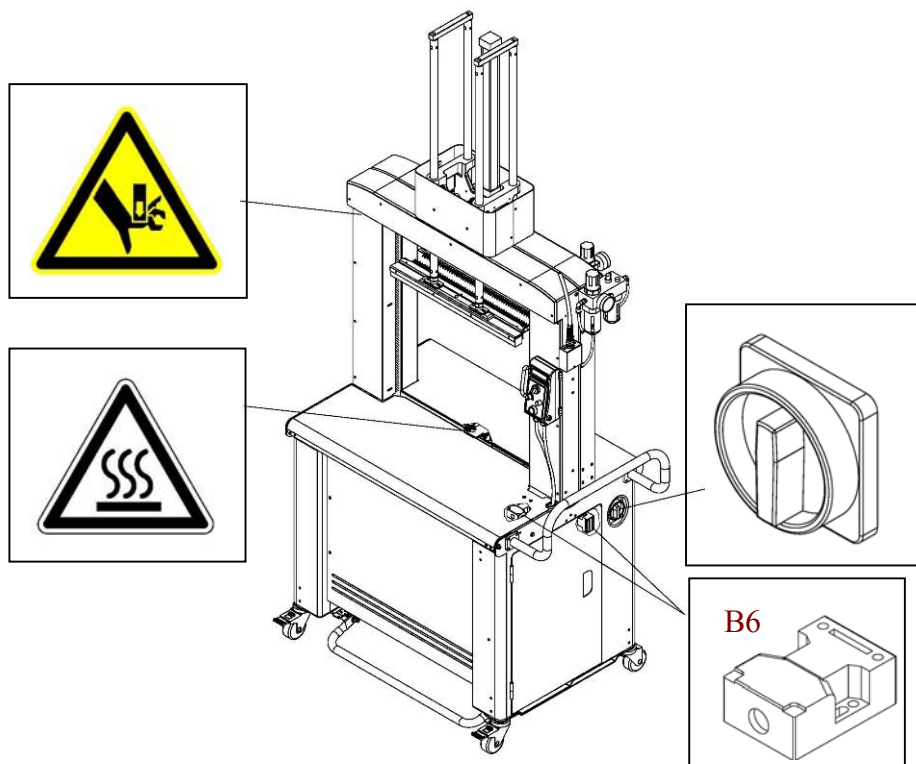
2.5 Safety Devices

	<p>Danger!</p> <p>Operate the machine only when all safety devices are at their place and are functioning correctly.</p>
---	--

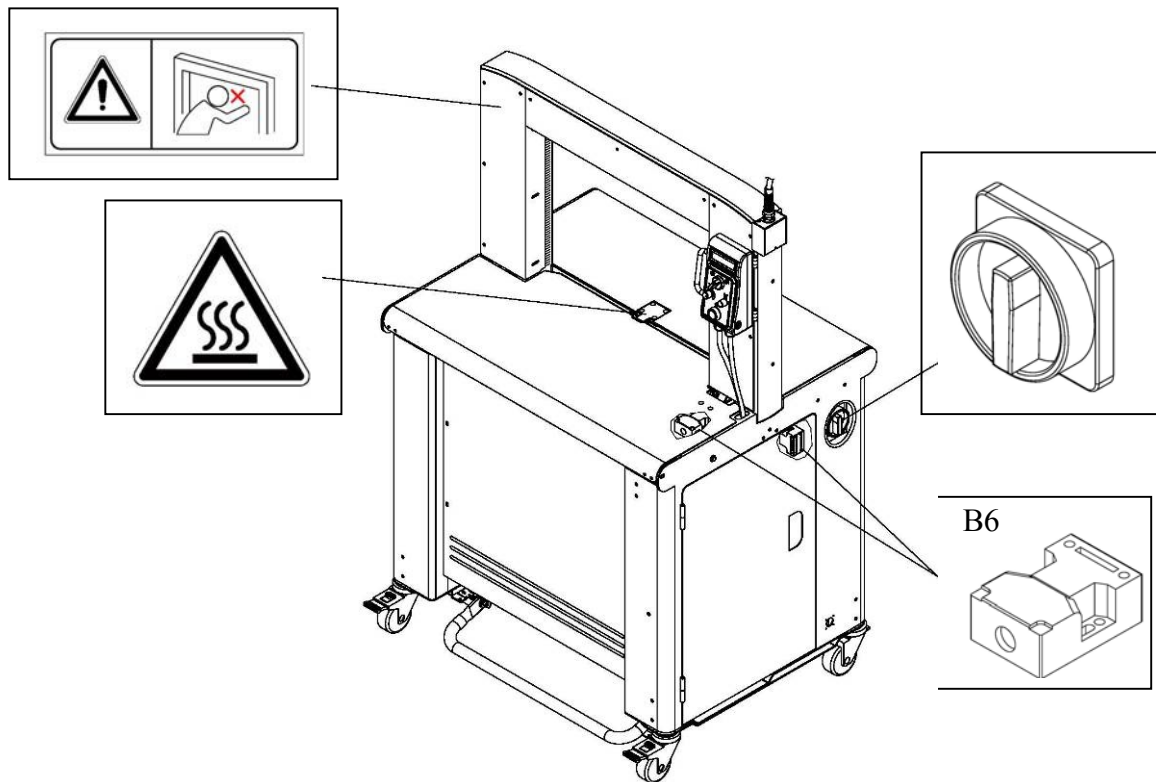
The machine has been constructed in accordance with the applicable legal regulations. The machine is reliable in operation. Nevertheless the machine may constitute a danger if it is operated in improper or undue condition.

Danger points that cannot be avoided due to equipment design are equipped with safety devices. If necessary, these points are marked on the machine with warning signs, and in the manual under working safety instructions.

The machine is equipped with the following safety devices:	
1.	Warning signs at the danger points of the machine
2.	Automatic shunt down of machine when front table opened
3.	Live parts are secured by cover



For TP-702P-59



For TP-702RS

If it is necessary to make adjustments inside the machine during operation, after a strap jam for example, the rear table top can be unscrewed. Observe caution as the machine is still fully functional with the covers removed. When the front table top is opened, safety switch B6 is activated. This will remove power but the heating element will keep heating.

CAUTION!

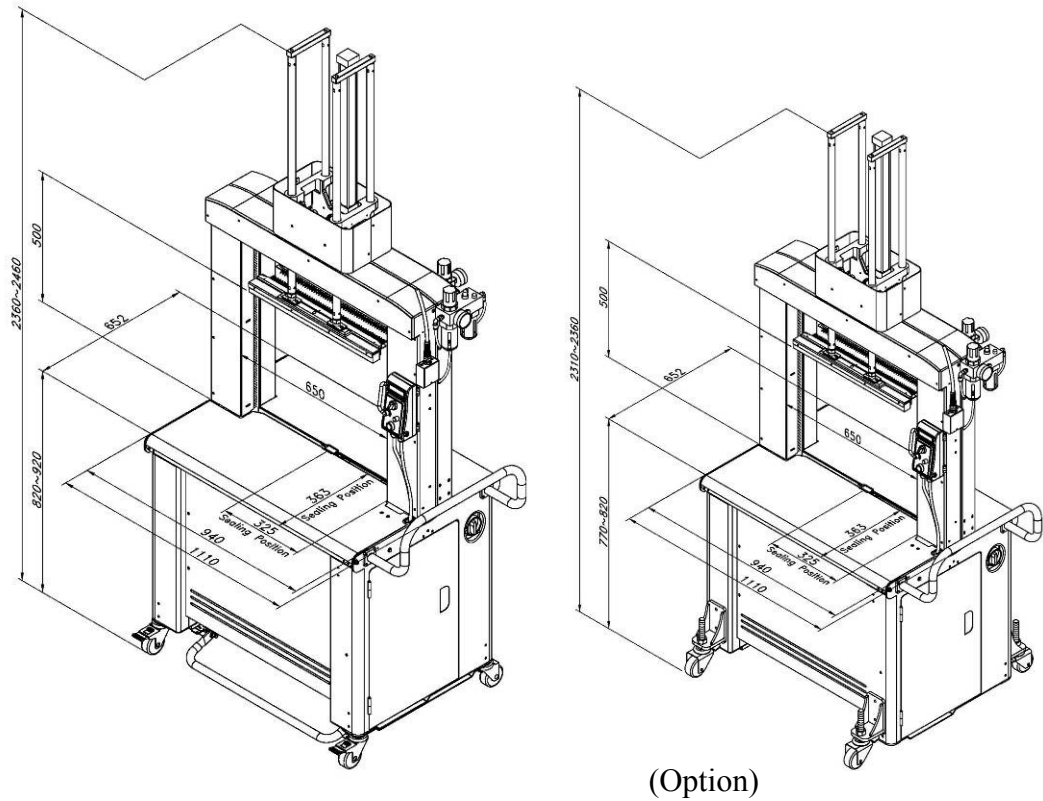
The heating unit operates at a very high temperature in order to melt the PP strapping. To prevent burns, avoid contact with this area.

2.6 Technical Specification

2.6.1 Electrical Specification

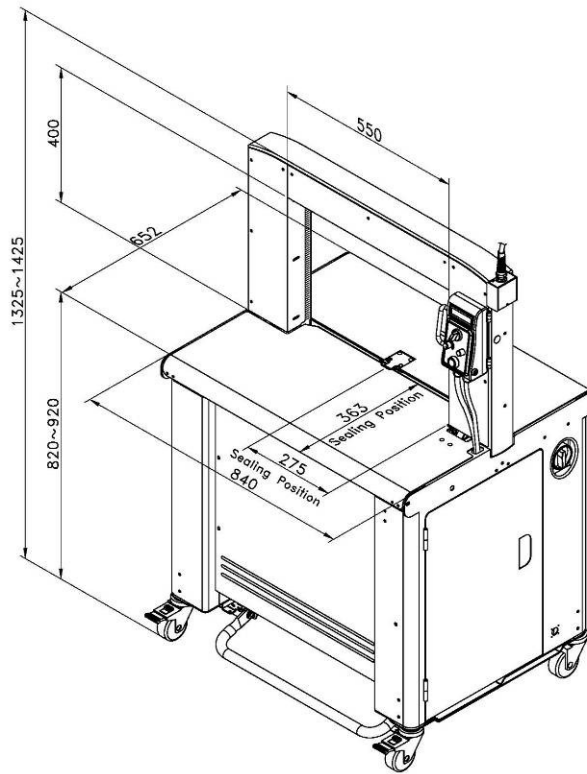
System configuration:	1L+N+PE (Ground)	1L+N+PE (Ground)
Nominal power:	0.5kW	0.5kW
Rated current:	3A	5A
Rated voltage:	220V/230V/240V	110V
Rated frequency:	50Hz	60Hz
Type of current	AC - single phase	AC - single phase



2.6.2 Technical Data (For TP-702P-59)



Strap width	5mm, 6mm, 9mm
Strap thickness	0.35mm up to 0.65mm (0.014" – 0.026")
Strap coil diameter	Coil diameter 200mm (8" nominal) Outside diameter 420mm (16.5") Width(Face) 190mm (7.5")
Table height	Minimum – 820mm (32.3") Maximum – 920mm (36.2")
Table Height(Optional)	Minimum – 770mm (30.3") Maximum – 820mm (32.3")
Weight	224 kg (494 lbs.)
Noise emission	78 dBA
Ambient temp	5°C ~ 40°C (41°F ~104°F)
Minimum package size:	70mm W × 20mm H (2.75" W × 0.75" H)
Maximum package size:	Width size minus 50mm (1.97") EX: arch size: 650W×500H Max. package size: 600mm W×500mm H (23.6" W × 19.7" H)
Cylinder operation fluid:	Compress Air
Supply air pressure:	6 bar (87 PSI)

2.6.3 Technical Data (For TP-702RS)

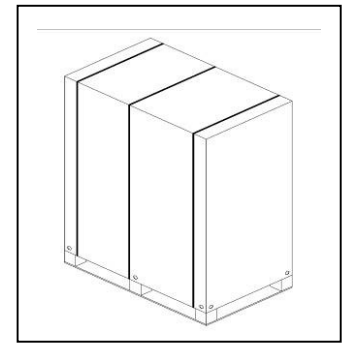


Strap width	5mm, 6mm, 9mm		
Strap thickness	0.35mm up to 0.65mm (0.014" – 0.026")		
Strap coil diameter	Coil diameter 200mm (8" nominal) Outside diameter 420mm (16.5") Width(Face) 190mm (7.5")		
Table height	Minimum – 820mm (32.3") Maximum – 920mm (36.2")		
Weight	158kg (348 lbs.)		
Noise emission	78dBA		
Ambient temp	5°C ~ 40°C (41°F ~104°F)		
Minimum package size:			
	5-6mm	40W × 10H mm	φ 32 mm × 2 pc
	9mm	50W × 10H mm	φ 34 mm × 2 pc
Maximum package size:	500W × 350H mm (arch size: 550W × 400H)		

3 Preparation Before Operating the Machine

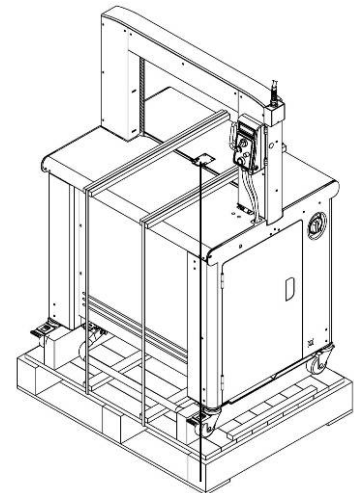
3.1 Shipping

The equipment is delivered in transport units.
Each transport unit is loaded onto a wooden pallet, secured by polyester strapping.



3.2 Transportation & Centre of Gravity

The machine must be secured on a pallet for transportation. A forklift (or other lifting device) is necessary for lifting the machine to the pallet. The casters must be fit nicely in the recess on the pallet for proper packaging. Secure the machine to the pallet with plastic strapping across the top plates with a layer of cardboard on it to avoid damage. Cover the machine with sturdy box for protection and hold the whole box to the pallet with plastic strapping.

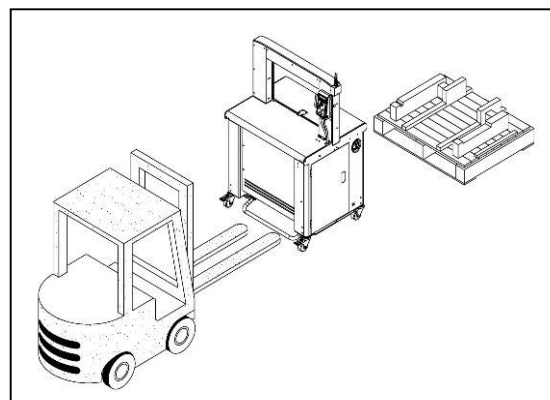
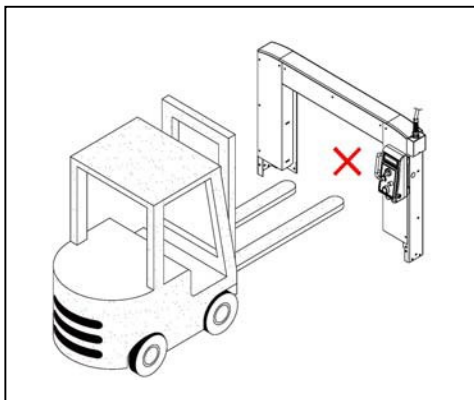


The machine can be removed from the pallet using forklift truck or other lifting device.

Center-of-gravity position

CAUTION!

Do not carry machine by having the forklift's fork under the arch, but only under the machine frame.



Danger to Lift!

Suspend loads can fall down.

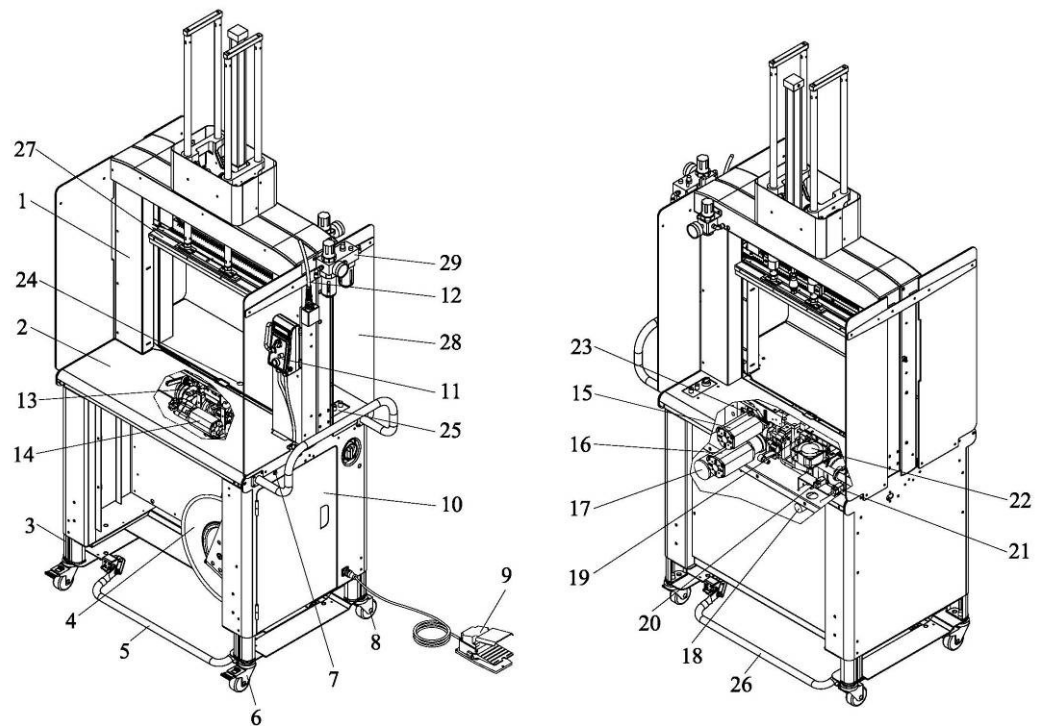
By inappropriate mounting or fracture of hoisting device the load can fall down and cause serious injuries or death.

Do not step under suspended loads!

Use appropriate hoisting devices and fasteners.

3.3 Construction Layout

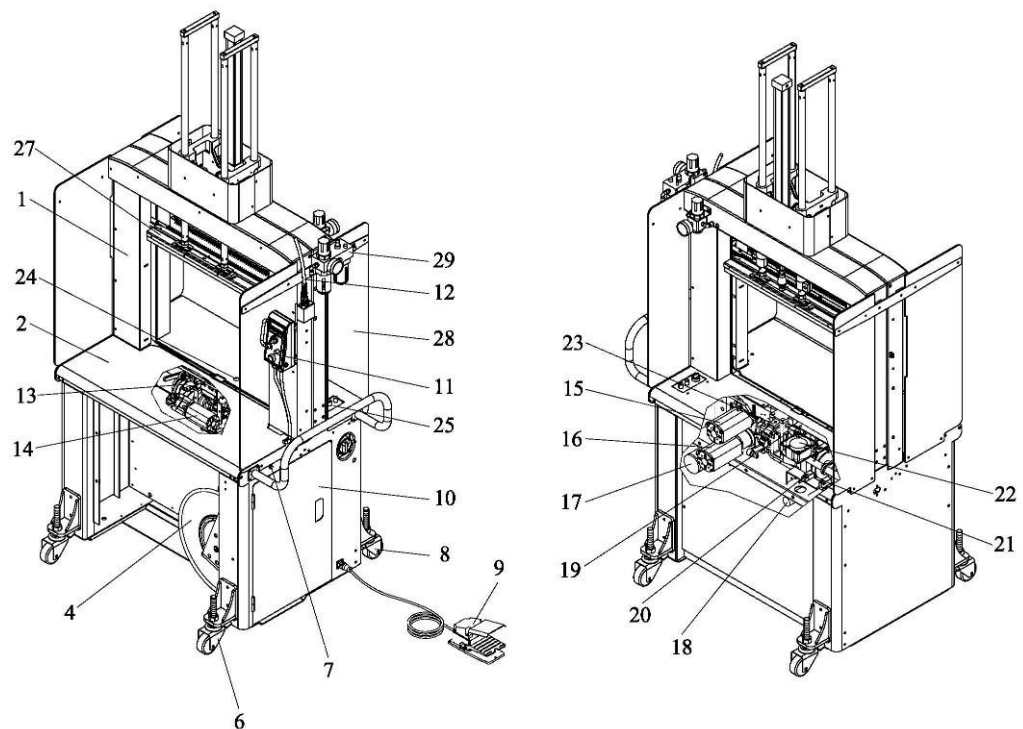
3.3.1 For TP-702P-59



1. Arch
2. Upper Table Front
3. Adjustment Leg
4. Reel
5. Foot Bar (Front)
6. Caster (Brake)
7. Reel Brake Release
8. Caster (Free)
9. Foot Pedal (Option)
10. Side Door
11. Control Panel
12. Power Cord
13. Strapping Head Unit
14. Main Motor M1
15. Feed Motor M2
16. Tension Motor M3
17. Strap Accumulator Motor M4
18. Automatic Feed Motor M5
19. Proximity Sensor SQ1
20. Proximity Sensor SQ2
21. Proximity Sensor SQ3

- 22. Fan (M11)
- 23. Heater
- 24. Photo Eye (Option)
- 25. Timer Box (Option)
- 26. Foot Bar (Rear)(Option)
- 27. Press Bar (hold down device)
- 28. Safety Guard (Option)
- 29. Air F.R.L. Combination (Filter/Regulator/Lubricator)

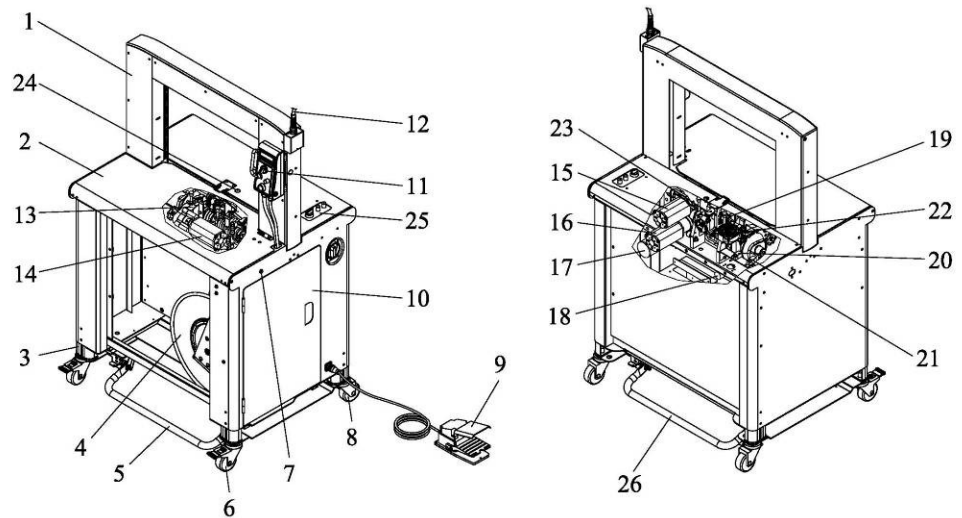
3.3.2 For TP-702P-59 (With Low Table)(Option)



- 1. Arch
- 2. Upper Table Front
- 4. Reel
- 6. Caster (Brake)
- 7. Reel Brake Release
- 8. Caster (Free)
- 9. Foot Pedal
- 10. Side Door
- 11. Control Panel
- 12. Power Cord
- 13. Strapping Head Unit
- 14. Main Motor M1

15. Feed Motor M2
16. Tension Motor M3
17. Strap Accumulator Motor M4
18. Automatic Feed Motor M5
19. Proximity Sensor SQ1
20. Proximity Sensor SQ2
21. Proximity Sensor SQ3
22. Fan (M11)
23. Heater
24. Photo Eye (Option)
25. Timer Box (Option)
27. Press Bar (hold down device)
28. Safety Guard (Option)
29. Air F.R.L Combination (Filter/Regulator/Lubricator)

3.3.3 For TP-702RS



1. Arch
2. Upper Table Front
3. Adjustment Leg
4. Reel
5. Foot Bar (Front)
6. Caster (Brake)
7. Reel Brake Release
8. Caster (Free)
9. Foot Pedal (Option)
10. Side Door
11. Control Panel

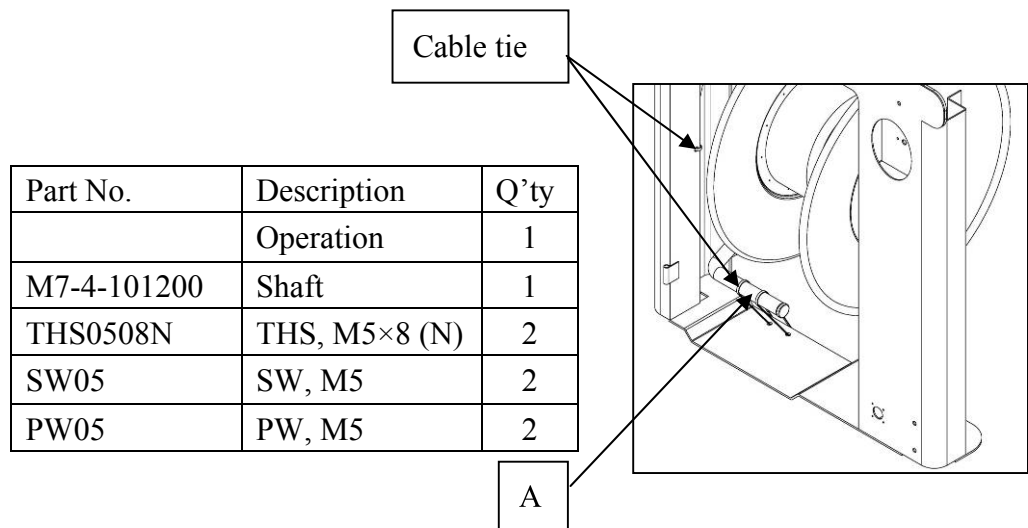
12. Power Cord
13. Strapping Head Unit
14. Main Motor M1
15. Feed Motor M2
16. Tension Motor M3
17. Strap Accumulator Motor M4
18. Automatic Feed Motor M5
19. Proximity Sensor SQ1
20. Proximity Sensor SQ2
21. Proximity Sensor SQ3
22. Fan (M11)
23. Heater
24. Photo Eye (Option)
25. Timer Box (Option)
26. Foot Bar (Rear)(Option)

3.4 Installation

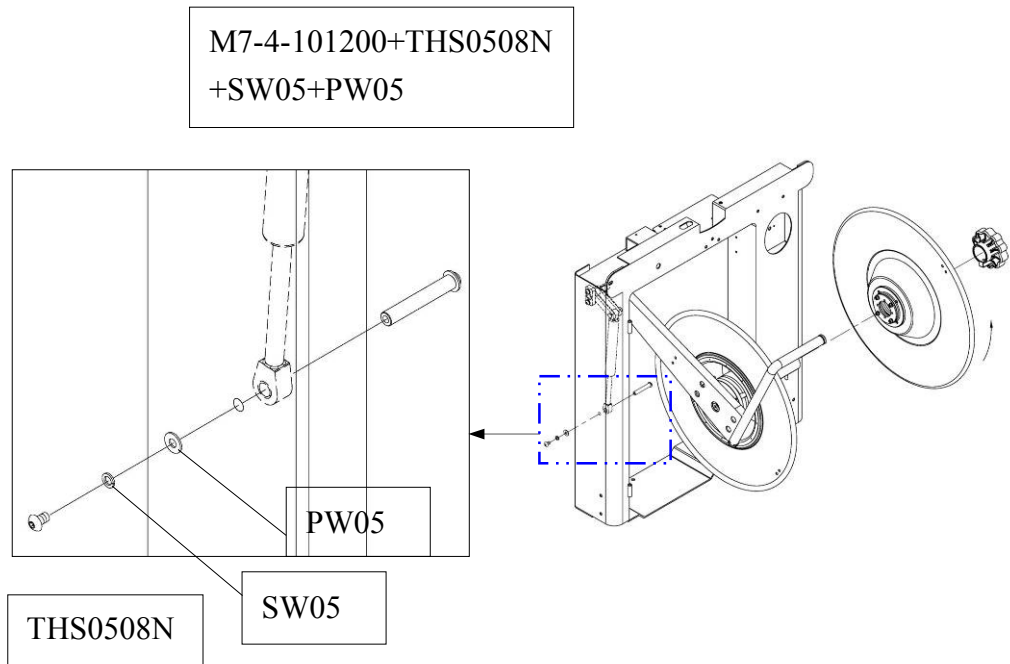
1. Remove the packing material and check that the machine is complete and without any shipping damage.
2. Installation for Gas Spring

To protect the Gas Spring, the PIN on one side of the Gas Spring would be detached before shipment and the Reel Group would be also fixed by Cable tie (shown as following drawing). Before operating the machine, the Gas Spring must be installed well.

- a. Open the Right door of the machine and take out the plastic bag A. Inside this bag, there are an operation manual and parts as listed in following chart.
- b. Cut the Cable tie which is fixing the Reel Group.



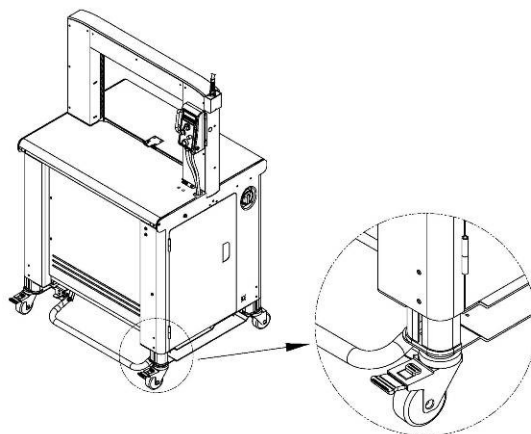
- c. Have M7-4-101200 Shaft threading from inside of the machine and then lift the Reel Group and move the Gas Spring to make the PIN also goes through the hole and use 2 Allan Key with 3mm to fix THS0508N+PW05+SW05 all together.



3. Adjust the table height by repositioning the screws underneath the machine frame (refer to below drawing). After adjustments, be sure to tighten all the fixing screws.

Caution!

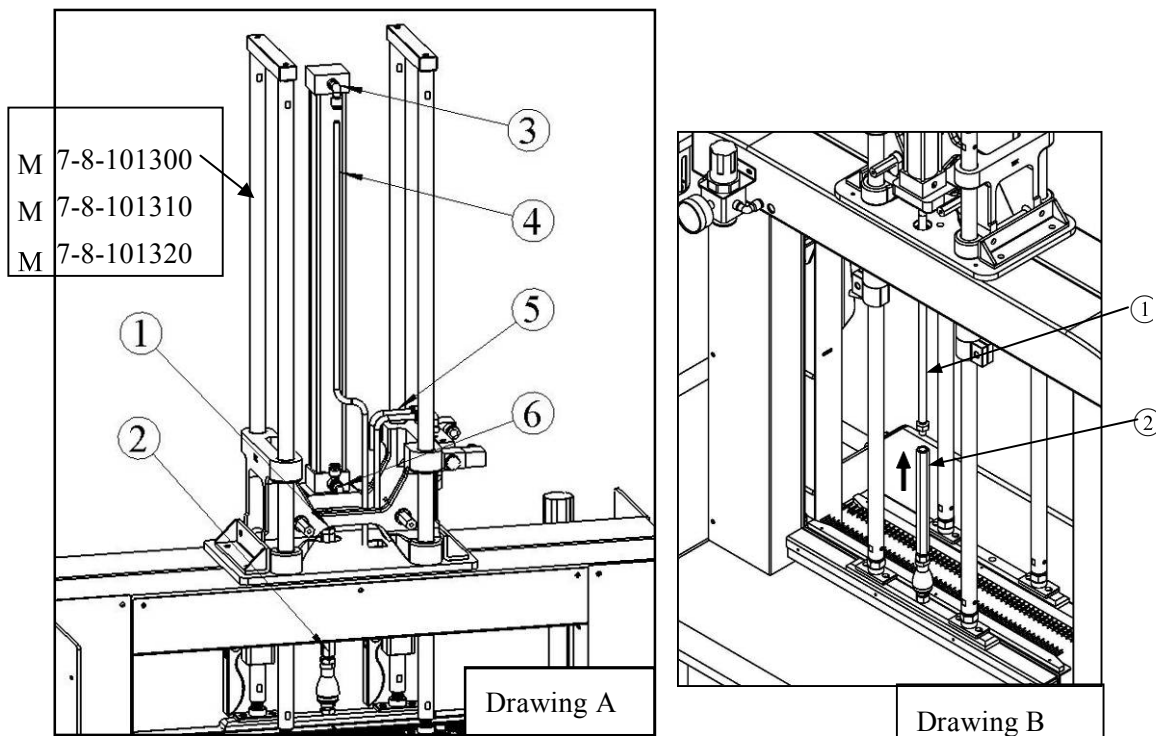
Be sure to take out the wire for the proximity switch underneath the left side of machine to avoid any damage before adjusting the table height.



4. After positioning the machine ready for working, be sure to lock two front casters (with brake) to avoid machine's movements.
5. When moving the machine, be sure to un-lock the two lockable casters. Re-lock the two casters after re-positioning the machine.

6. Do not move the machine unless it's necessary. Before movement, be sure to turn off the power, unplug it, put the power cord on the machine and un-lock the front two lockable casters.
7. Minimum Requirements to the Electrical Supply
 - The electrical supply cord for the machine must have a minimum cross-section of at least 1.0 mm² (16 AWG).
 - The maximum power line fuse must not exceed 16 Amp.

Installation of Cylinder (Only TP-702P-59)



- 1 Remove the packing material of Cylinder and fix it onto the Cylinder Bracket as shown in drawing A.
- 2 Lift the Press Bar and screw the cylinder Shaft ① to Extension Bar ② as shown in drawing B.
- 3 After the combination of the Cylinder and Press Bar in step 1 & 2, be sure the Press Bar should be able to descend in free fall.
- 4 If the Press Bar could not move upward and downward freely, please re-adjust the position of Cylinder by loosening HBS0625N×4. Make sure the Cylinder is paralleled with the Shaft (M7-8-101300、M7-8-101310、M7-8-101320).
- 5 Connect PU Tube (longer PU Tube) ④ to the Tube Fitting ③ and the PU Tube (shorter PU Tube) ⑤ to Flow control ⑥.
- 6 Connect the pneumatic source to the Quick Coupler of the machine.

- 7 Set the high pressure gauge at 3 bar and low pressure gauge at 1 bar and make sure the Press Bar is able to move upward and downward freely. If not, remove the pneumatic source and re-adjust the position of cylinder. Make sure the Cylinder Shaft is perpendicular to the Press Bar.

Note!

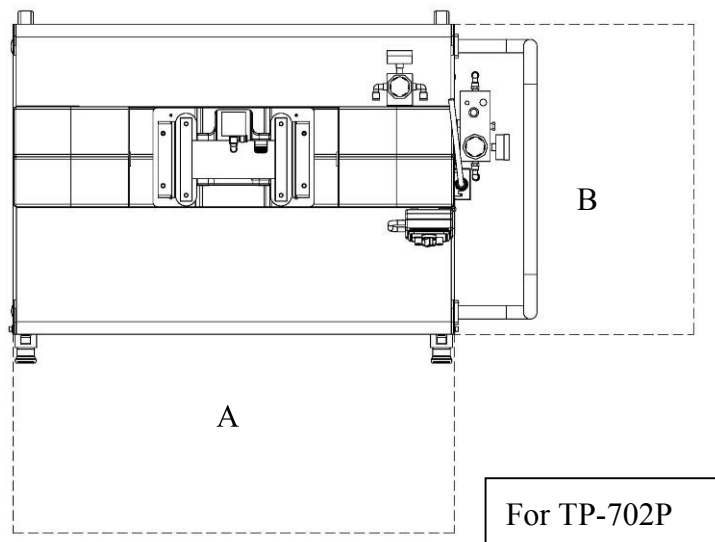
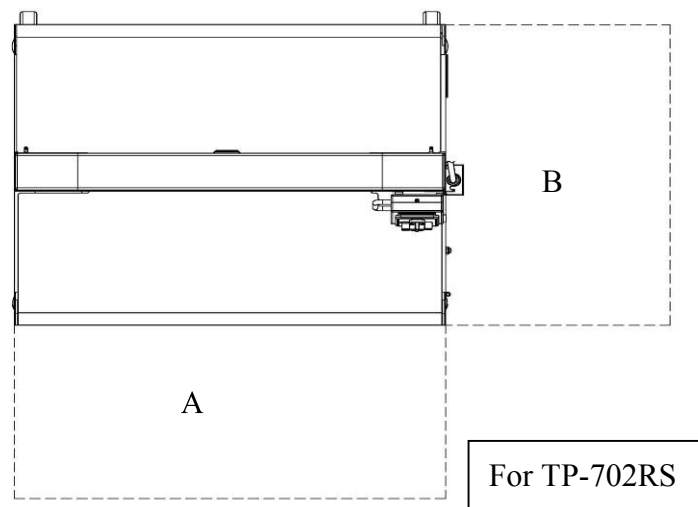
The PU Tube for the Quick Coupler should be $\psi 6.5 \times \psi 10$.

3.5 Operation Space

Keep the area (A) and (B) free for the operator.

The area (A) is necessary for operating strapping machine.

The area (B) is necessary for changing the strap or adjusting strap amount in the accumulator.



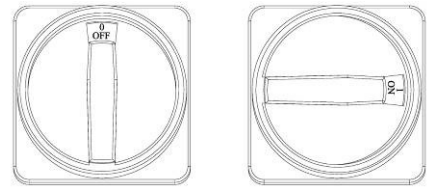
3.6 Operating Elements

1. Main Power Switch:

Provides the machine with power.

Switch to “1” position for turning the main power on.

After strapping, switch it to “0” to turn off the machine.



2. LCD Display:

Indicates strapping condition of machine and error messages.

3. Soft - High Tension Switch:

Switch to right for High strapping tension.

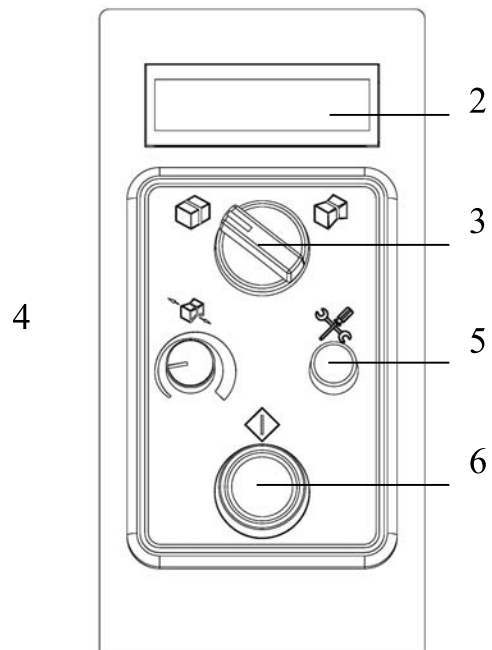
Switch to left for soft strapping tension.

4. Strap Tension Potentiometer:

Turn clockwise to increase strapping tension; turn counter-clockwise to reduce strapping tension. This potentiometer is only functional under High tension mode.

5. Function Encoder:

Turn clockwise or counterclockwise to change strapping settings.



Also!

It offers settings for weld cooling time and photo eye timers (photo eye timer is available only if the machine comes with photo eye switch option) (expressed in page A27). Other settings can only be changed by technicians with password.

6. Start Switch:

- After turning on **Main Power Switch**, you must push the start switch for machine to get ready for working.
- To initiate a strapping cycle.
- To clear up machine fault.(reset)

7. Reel Release Switch:

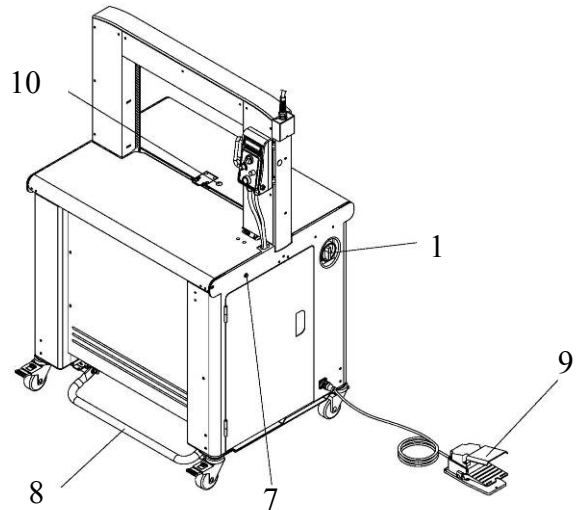
To release the dispenser for easily taking out strapping from it.

8. Foot Bar (Front):

To initiate a strapping cycle.
To clear up machine fault. (reset)

9. Foot Pedal Switch (Option):

To initiate a strapping cycle.
To clear up machine fault. (reset)

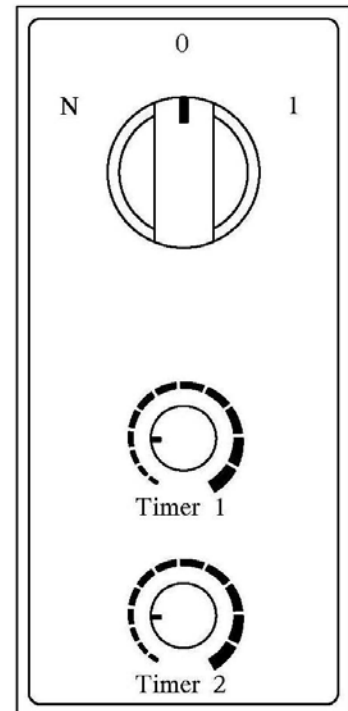


10. Photo Eye Switch (Option)

The purpose of the photo-eye switch is to automatically initiate strapping cycles when a package is detected.

The controls for the photo-eye are shown in the figure below.

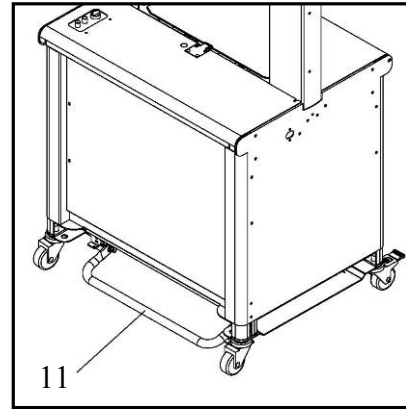
Function	Function
0	The photo-eye is disabled. The strapping cycle must be initiated with Start switch on the control panel, Foot bar switch or optional foot pedal.
1	A single strapping cycle: initiates a cycle when a package is detected by the photo-eye. Delay time for initiating the cycle is controlled by TIMER 1.
N	Multiple strapping cycles: initiates a cycle when a package is detected by the photo-eye. Cycling continuously until the photo-eye is no longer “detects” a package. The cycle timing is determined by TIMER 1 and TIMER 2.
Timer 1	Sets the delay time from the moment that a package is detected until the 1 st strapping cycle initiates. This allows an operator to properly position a package for the first strap. It is adjustable from zero to five seconds.
Timer 2	It’s the delay time (interval) between strap cycles. When multiple strapping cycles are needed, this timer is for an operator to determine the interval between each straps. It is adjustable from zero to five seconds.



11. Foot Bar (Rear)(Option):

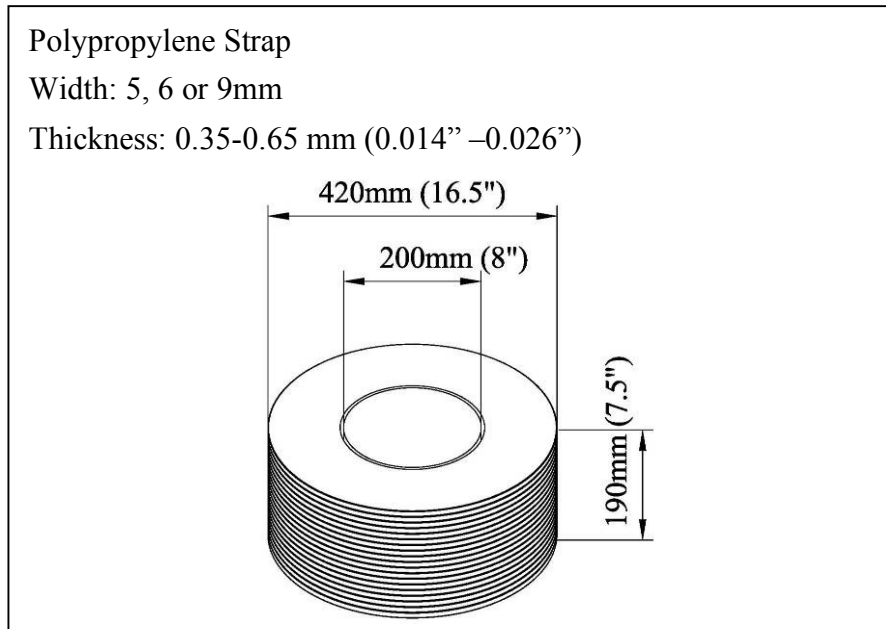
To initiate a strapping cycle.

To clear up machine fault. (reset)



3.7 Instructions for Loading PP Strap

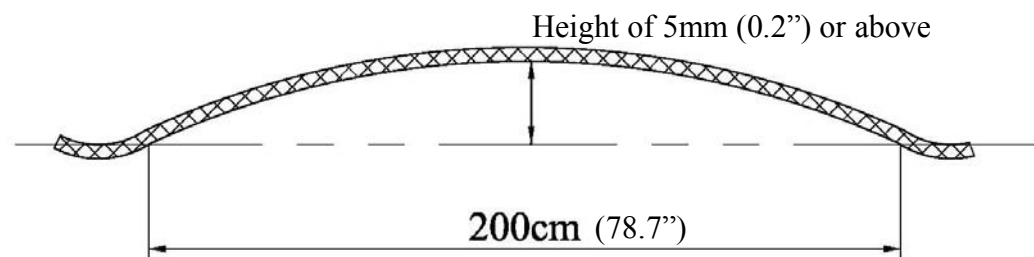
3.7.1 Specifications



Note:

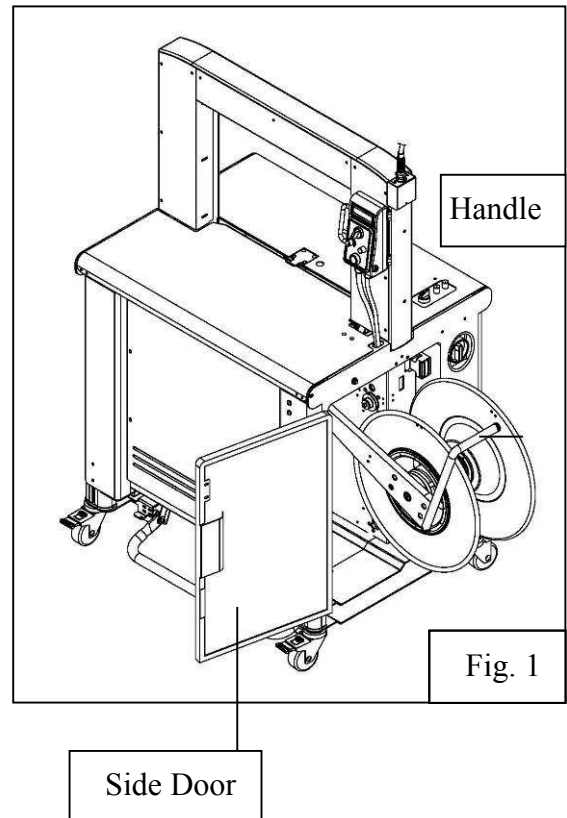
Strap coil should not be heavier than 12kg (27 lbs). Too heavy strap would damage the Reel support system.

Strap which has excessive camber as illustrated in figure below cannot be used.



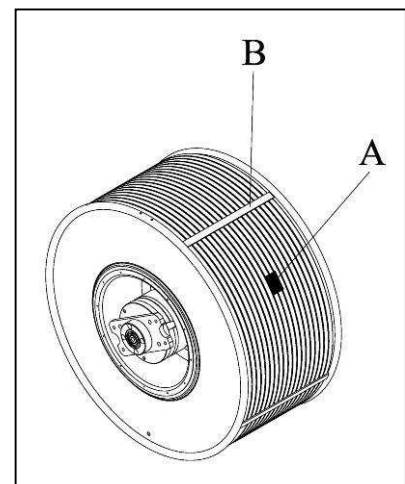
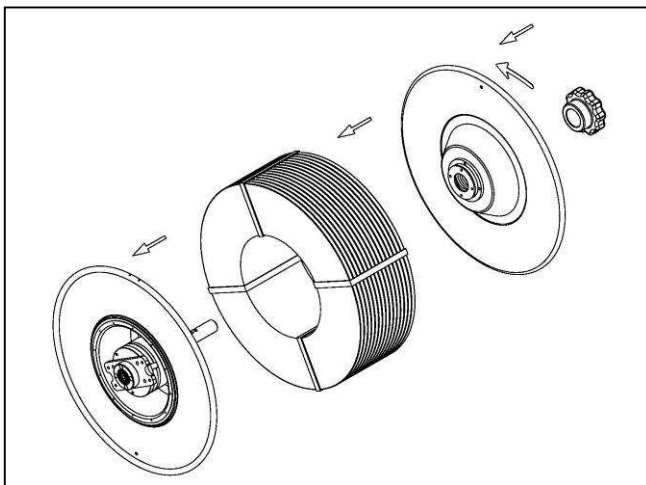
3.7.2 Strap Reel Installation

1. Open the side door on the right of the machine (fig. 1).
2. Lift the reel handle up all the way to the end (fig. 1).
3. Release the Reel Nut Handle by pressing and turning it to the left.
4. Take out the Outer Flange.
5. Install a new strap coil onto the drum according to the instructions on the reel.
6. Put Outer Flange back and the Reel Nut Handle. Turning the Reel Nut Handle to the right to lock it.
7. Remove the protective straps (B) and the stickers (A)
8. Press down the reel handle to put the reel back into the machine.



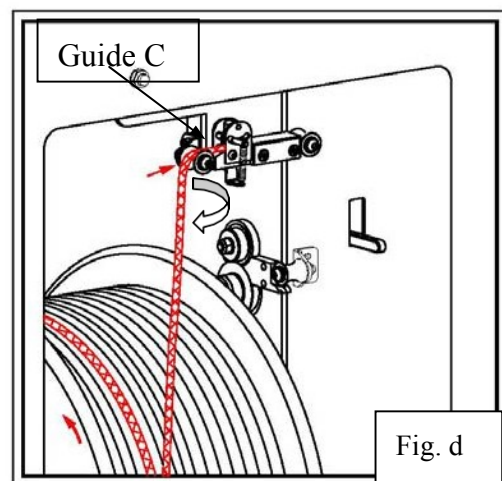
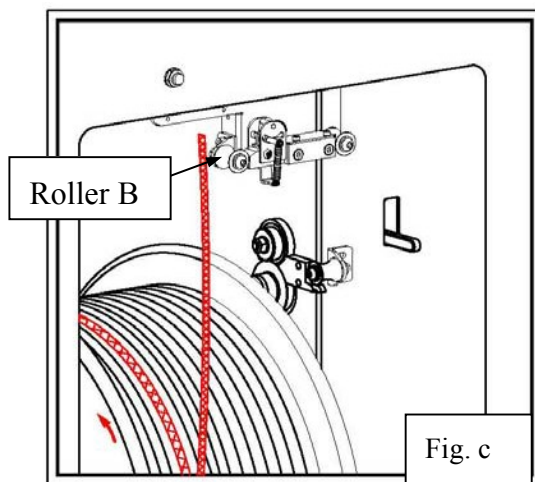
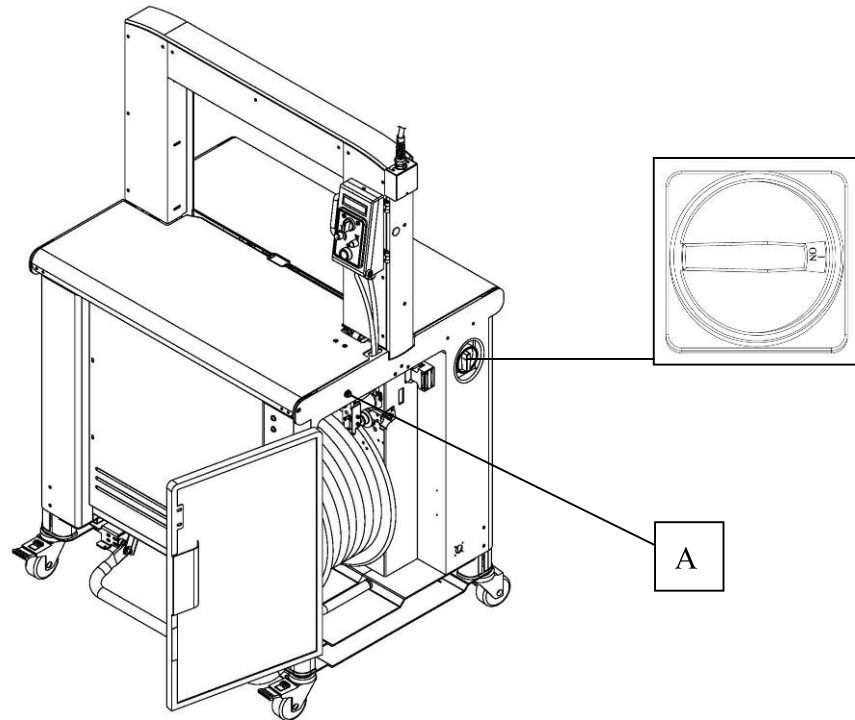
Note:

The Reel Nut Handle is released by turning to the left. Tighten it by pressing and turning it to the right.

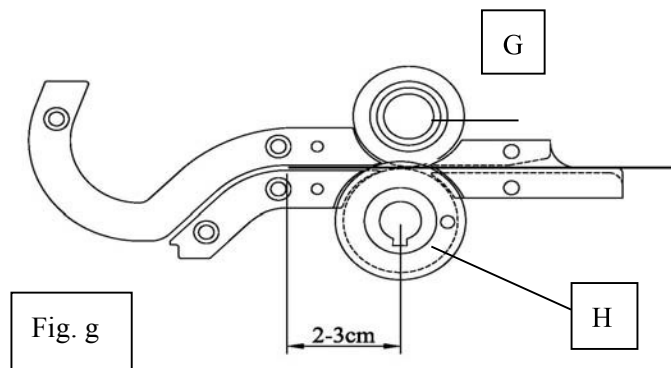
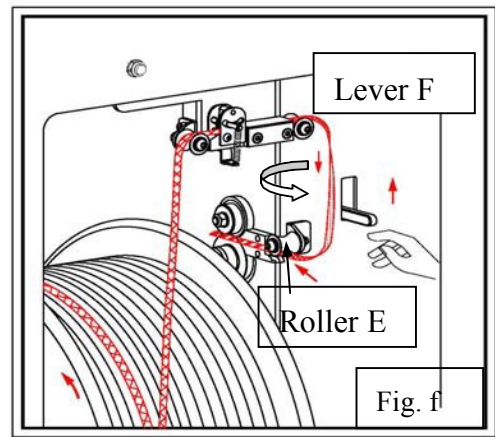
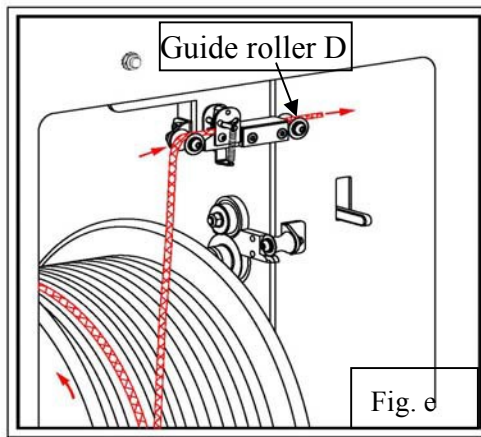


3.8 Auto Strap Feeding Process

1. Turn Main Power Switch on the right side of machine to the right (at 1 position), and press Start Switch.
2. Open the side door on the right.
3. Press “Reel Release Switch A” and pull out around 90cm strap.
4. Inset the strap to Guide Roller B and then to Guide C as showing in Fig. c & Fig. d.

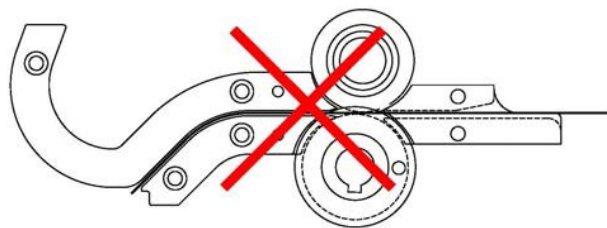


5. Keep threading the strap till the Guide Roller D (Fig. e).
6. Turning the strap downward and thread it to Roller E then to Roller G & Roller H (Fig. f & Fig. g).
7. Lift Lever F and then thread the strap around 2-3mm ahead the rollers (Fig. g) then release Lever F.



Caution:

If strap is fed more than 6cm ahead the rollers, it could make Auto Strap Feeding failed.



8. Close the side door and press Start Switch. Machine will complete the Auto Strap Feeding in 5 sec. and have the strap feeding to the sealing point.

Caution!

In the process of Auto Strap Feeding, only the Start Switch is functional. Neither Foot bar switch nor foot pedal switch will function.

Caution!

The cut edge of the strap must be free from burrs to avoid failure in Auto Strap Feeding.

4. Operating the Machine

After switching on the strapping machine, heater starts to warm up and LCD display continues to be on until the heater reaches its operating temperature (about 2 minutes).

Caution!

Machine will not operate until heater reaches to operating temperature.

The heater fans continue to run until heater reaches operating temperature.

Switch **Main Power Switch** to Position “1”



Heater warms up and LCD display keeps on lightening



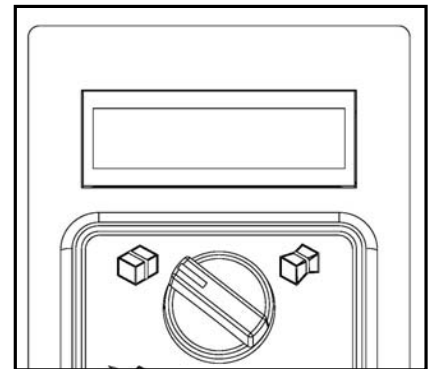
Ready!
LCD display is off

4.1 Soft Tension Operation

1. Place a package in the middle of table beneath the chute.
2. Push start switch or actuate foot bar switch or foot pedal switch (option) to start strapping.

NOTE!

When operating in soft tension mode, the strap tension potentiometer does not function.

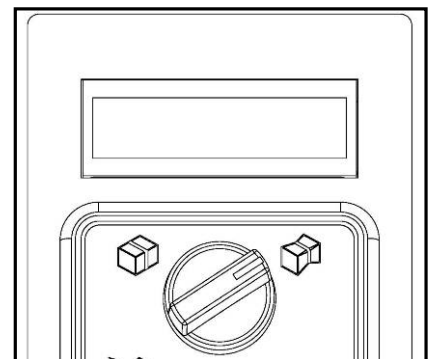


4.2 High Tension Operation

1. Place a package in the middle of table beneath the chute.
2. Properly adjust the strap tension potentiometer according to various package.
3. Push start switch or actuate foot bar switch or foot pedal switch (option) to start strapping.

Attention!

Keep hands away from the strapping area.



If hands are caught by P.P. strap accidentally, be sure to turn off the Main Power Switch first and then cut the strap.

4.3 Function Encoder

LCD display will show various timers such as cooling time, timer 1, timer 2...etc. After pressing the function encoder for over 2 seconds, turn the knob to choose the timer needed to be changed. Press this knob to confirm the timer needed altered and turn it again to alter the value, and then press it again to confirm this alteration.

T1: see A21 timer 1

T2: see A21 timer 2

T5: cooling time timer, Range 0-0.6S

T4: Press bar delay time, Range 0-3S

PH1> 0: Photo eye control box no function
(Disable)

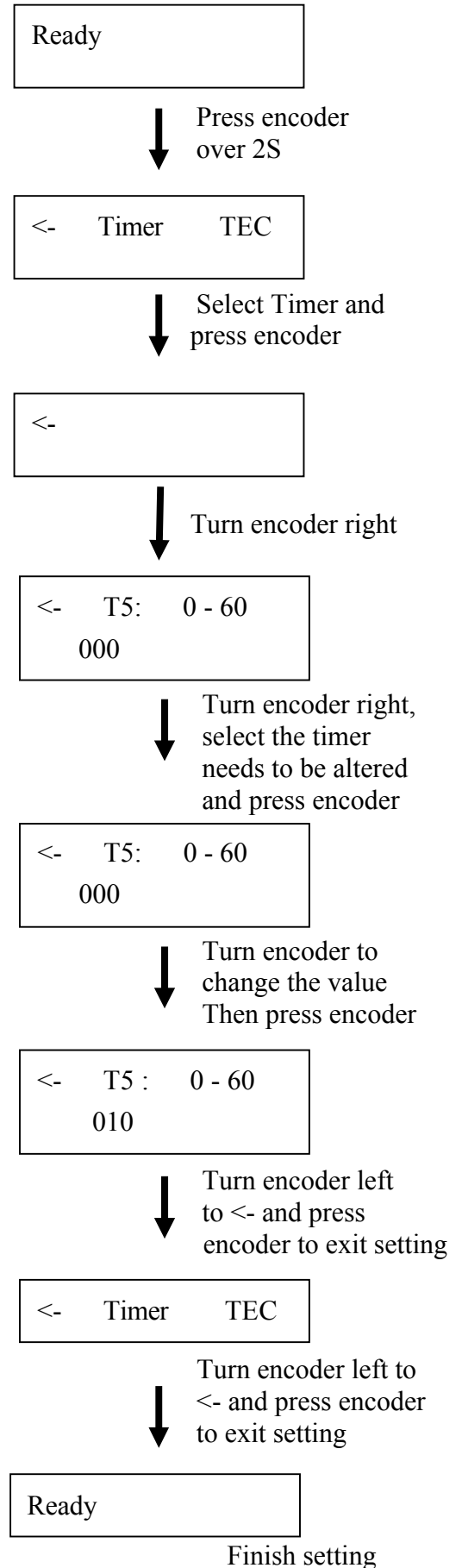
1: Photo eye control box has function
(Enable)

SQ6> 0: sensor for chute home position no
function (Disable)

1: sensor for chute home position has
function (Enable)

Press>0: Press device no function (Disable)
(for TP-702P only)

1: Press device has function (Enable)
(for TP-702P only)



5. Adjustments

5.1 Strap Amount in the Accumulator Box

The machine has been already well set for storing enough amount of strap in accumulator Box.

However, some adjustments may be required, depending on the actual quality or thickness of the strap used.

The strap supply in the accumulator box should be sufficient for about 2-5 strapping cycle.

(It depends on the package size and the arch size. Fewer cycles are available for bigger arch or bigger package.)

Caution!

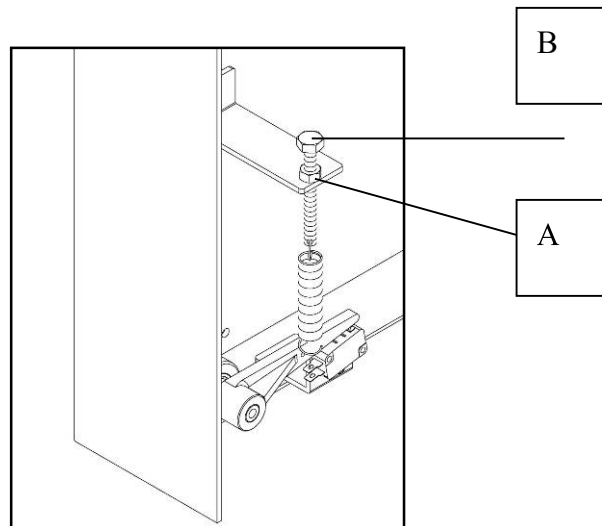
Excessive amount of strap in the Accumulator Box can lead to strap jam (too curved) and cause feeding problem.

Insufficient amount of strap in the Accumulator Box can lead to short feed problem or decrease strapping speed.

The adjusting mechanism for amount of strap is inside the machine, at the rear side of machine.

In case that there is insufficient amount of strap in the Accumulator Box, loosen the Nut A and turn the Screw Bolt B counterclockwise. After adjustments, be sure to tighten the Nut A to avoid unstable strap accumulation.

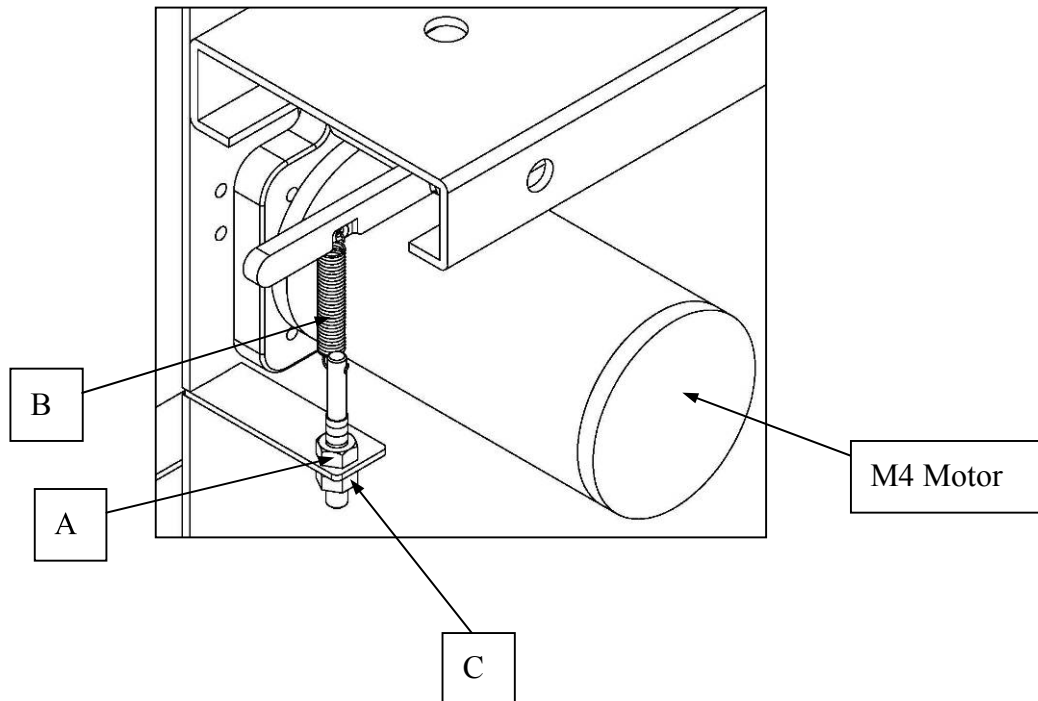
In case that there is excessive amount of strap in the Accumulator Box, loosen the Nut A and turn the Screw Bolt B clockwise. After adjustments, be sure to tighten the Nut A to avoid unstable strap accumulation.



5.2 Adjustment for Feeding Pressure to the Accumulator Box

The machine has been already well set for enough feeding pressure offering enough strength for pulling strap from strap coil to accumulator box. It might be necessary for some adjustments to increase feeding pressure if you are using smooth strap.

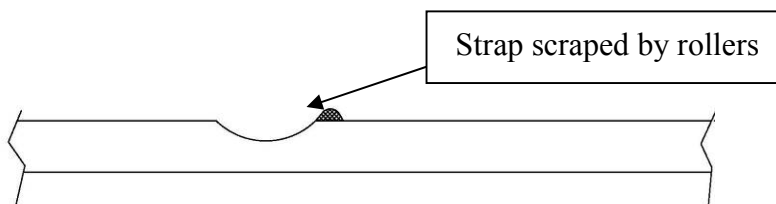
When it's necessary for increasing the feeding pressure, please loosen the Nut A and turn Nut C upwards to increase the strength of Spring B. Be sure to tighten Nut A by turning it counterclockwise after adjustments.



Caution!

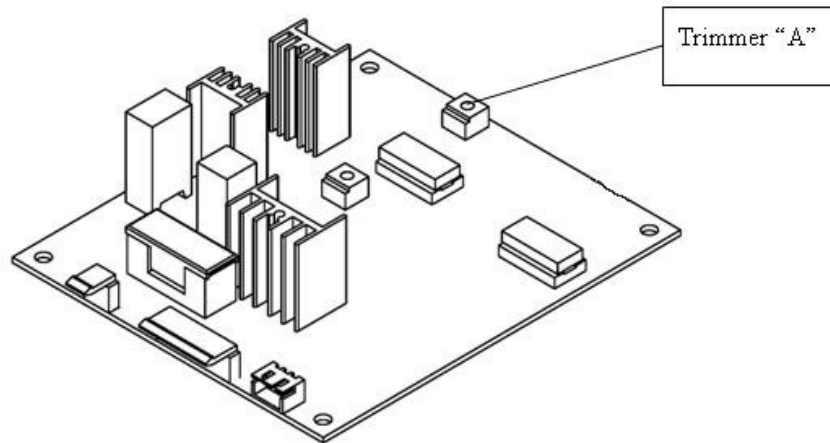
Too much feeding pressure could lead to feeding problem as the strap would be scraped by the rollers easily as show below.

Insufficient feeding pressure would lead to short feed problem as the strap is insufficient in the accumulator box.



5.3 Adjustment for Heater Temperature

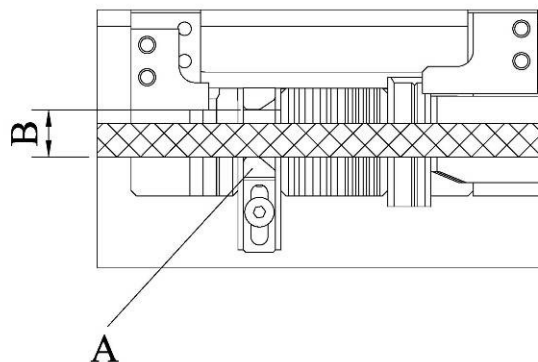
The machine has been already well set for proper heater temperature. It might be necessary to do some adjustments according to temperature in working environment, and the quality of PP strap to ensure better sealing efficiency. Turn "A" clockwise to increase the heater temperature and turn it counterclockwise to decrease the heater temperature.



5.4 Necessary Adjustments After Changing Strap Width

1. Adjusting "Strap Guide"

Adjusting the A (Strap Guide) according to the strap and make sure the width B is around 0.5mm (0.02") wider than the strap.



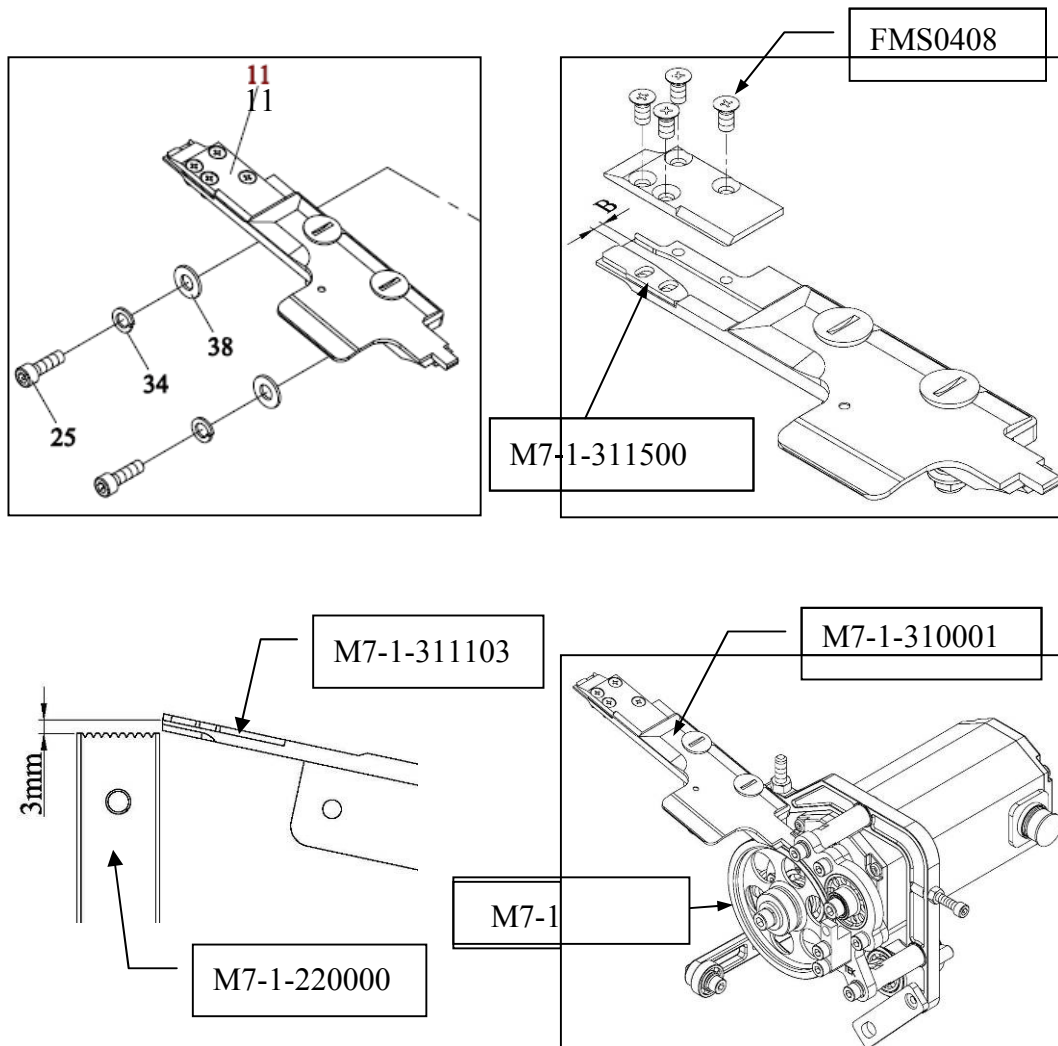
Caution:

If B is too wide, it would lead to sealing problem. However, if it's too narrow, it would lead to feeding problem.

2. Adjusting “M7-1-311500 Adjusting Plate”

Loosen #25 HBS0412N×2 to remove #11 M7-1-310001 Upper Guide Ass'y (For 5-6mm) from the machine. Then loosen FMS0408×4 on it and take a piece of p.p. strap which would be running by this machine for properly adjusting M7-1-311500 Adjusting Plate (Only 5-6mm). Make sure the width B is around 0.5mm (0.02”) wider than the strap. After proper adjustment, tighten FMS0408×4 and have M7-1-310001 Upper Guide Ass'y (For 5-6mm) fixed back to the machine.

While having M7-1-310001 Upper Guide Ass'y (For 5-6mm) fixed back to the machine, be sure its left side must be around 3mm higher from Press Bar Ass'y M7-1-220000. Also the right bottom side of M7-1-310001 Upper Guide Ass'y (For 5-6mm) should have some clearance between M7-1-301400 Guide Wheel (For 5-6mm). This clearance should not be wider than the strap's thickness or strap would probably slip out while doing Auto Strap Feeding.

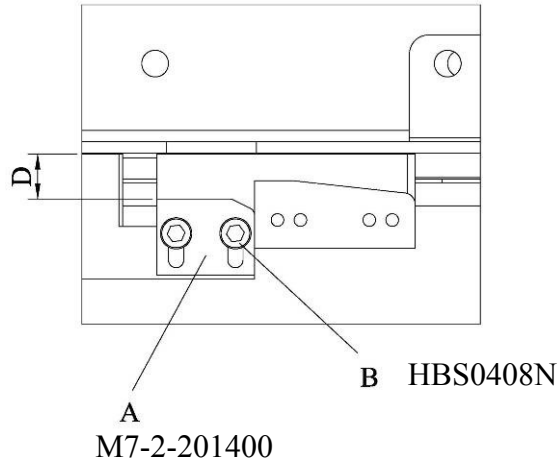


Caution:

If B is too wide, it would lead to sealing problem. However, if it's too narrow, it would lead to feeding problem.

3. Adjusting “Right Strap Guide”

Loosen the screws on the “Right Strap Guide” and take it out. Then loosen the 2 screws B (HBS0408N) and adjust A according to the strap. Be sure D is about 0.1mm wider than the strap. After adjustment, tighten screws B and put the “Right Strap Guide” back.



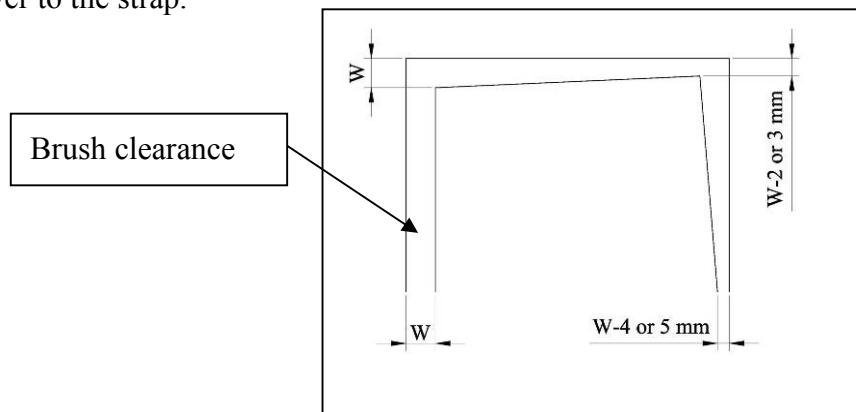
Caution:

If D is too wide, it would lead to sealing problem. However, if it's too narrow, it would lead to feeding problem.

4. Adjusting Brush Clearance in the Arch

The brush clearance in the left side and upper left should be about the strap width. The brush clearance in the upper right should be about 2-3mm narrower to the strap.

The brush clearance in upper side of right chute should be the same to the clearance in right side of upper arch. The brush clearance in the lower right should be 4-5mm narrower to the strap.



Note:

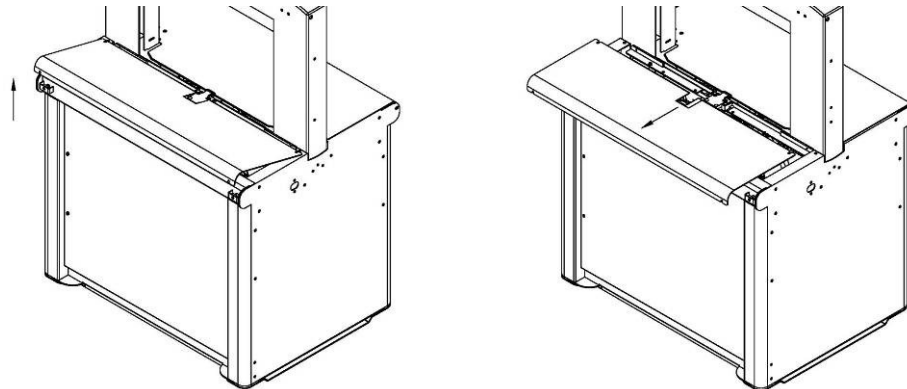
The brush clearance could be various according to different package size. The brush clearance needs to be bigger for not having any effect on reversing especially when the package size is close to the arch size.

5. Adjusting Strap Amount in the Accumulator Box

Different strap widths might have effects on the strap amount in the accumulator box. Please do the adjustment according to 5.1 if necessary.

5.5 Adjustment for Feeding/Reversing Pressure

The upper table rear was screwed by captive screws. To take it out, please loosening the captive screws about 5mm first and then lift the end side of rear side up and slide it out.

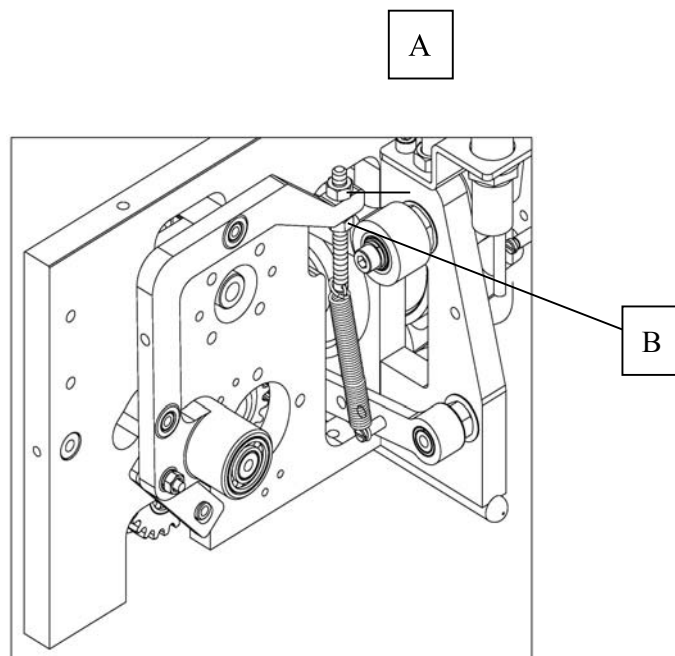


1. Adjusting the Pressure for Feeding

The machine is already well set for proper feeding pressure. However, according to different strap characteristics (such as smoother surface or different thickness), some adjustments for feeding pressure are still necessary.

If short feed problem happens a lot, and it is a result of improper feeding pressure, please do the following adjustments:

Loosen Nut B and turn Nut A clockwise to increase the feeding pressure. Or loosen Nut A and turn Nut B counterclockwise to decrease the feeding pressure. After adjustments, be sure to tighten these 2 Nuts well.

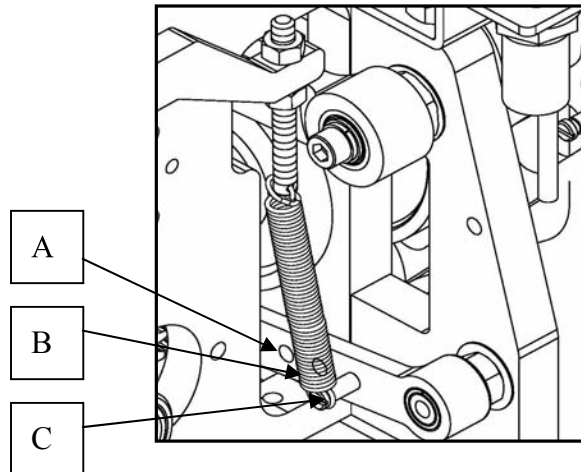


2. Adjusting the Pressure for Reversing

The machine is already well set for proper reversing pressure. However, according to different strap characteristics (such as smoother surface or different thickness), some adjustments for reversing pressure are still necessary.

If machine often has incomplete reversing problem, and it is a result of improper reversing pressure, please do the following adjustments:

Take out the part (TA-073 Spring Hook) from C position to B or A position in order to increase the reversing pressure.



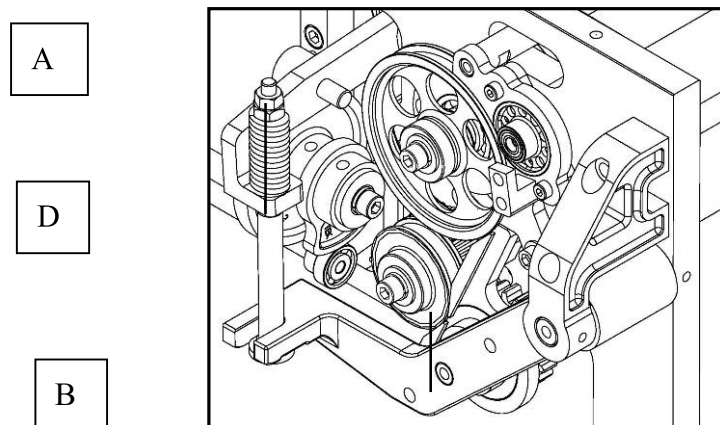
5.6 Adjustment on Tensioning Rollers for High Tension

The machine is already well set for proper pressure for high tension. However, according to different strap characteristics (such as smoother surface or different thickness), some adjustments on pressure for high tension might be necessary.

When insufficient strapping tension occurs even the Soft-High tension switch is on “high” position and it is a result of pressure for high tension, please turn Nut D clockwise. This can solve the problem of insufficient strapping tension at high tension and strap slipping between A & B due to this.

Note:

When the pressure for high tension is set too high, the tension for strapping would get lower.



5.7 Speed and Pressure Adjustment of Press Bar

Knob A: Descending speed adjustment of Press Bar

Turn Knob A counterclockwise to increase the descending speed of Press Bar;

Turn Knob A clockwise to decrease the descending speed of Press Bar.

Air pressure adjustments for ascending and descending Press Bar

For doing these adjustments, be sure to lift the Regulator first and then turn it clockwise to increase the pressure or turn it counterclockwise to decrease the pressure.

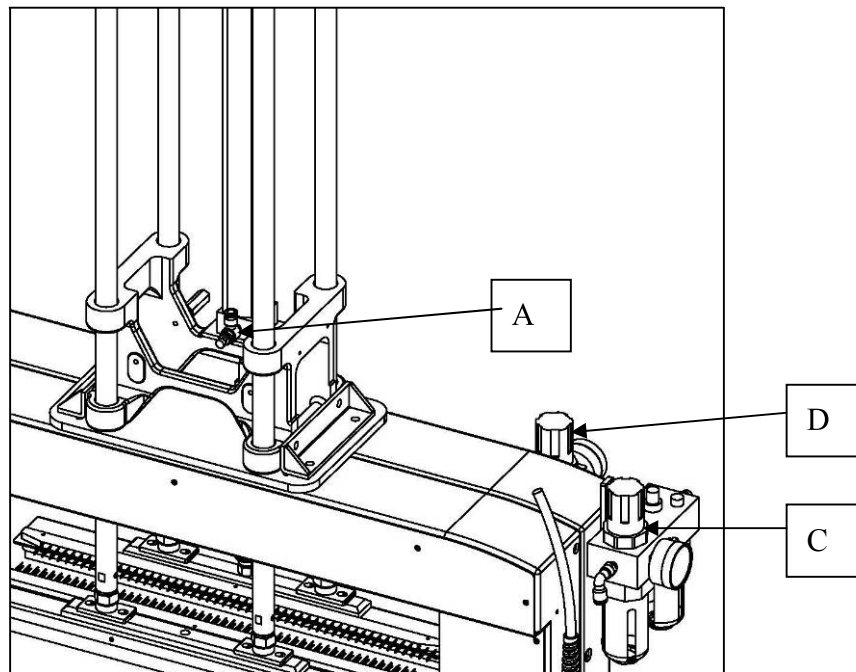
Regulator C: Adjustment for ascending press of Press Bar

Regulator D: Adjustment for descending press of Press Bar

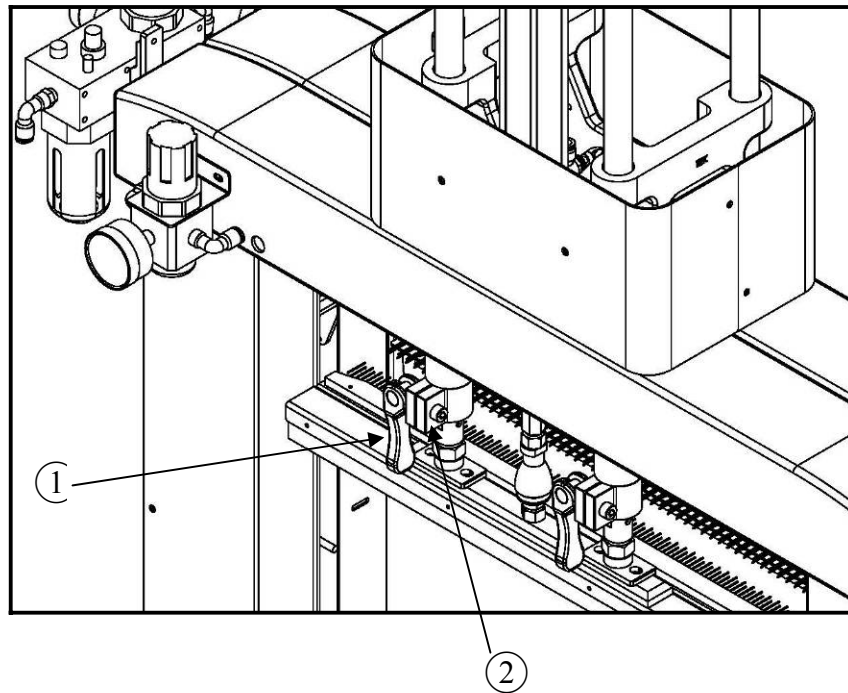
Caution: Regulator D would show the pressure only when Press Bar is descending.

Caution: If the air pressure is exceed 2 bar for Regulator D, the descending press of Press Bar would be over 250N.

Caution: When the descending press of Press Bar is over 250N, safety device (such as Safety Guard) would be necessary according to CE regulation.



5.8 Adjustment on the Stop position (height) of Press Bar



The stop position (height) of Press Bar could be adjusted to match different package height.

1. Turn off the power and turn it on again.
2. Put the package on the table (under the Press Bar) and then press Encoder and Start Switch together. In this way, Press Bar would go down and lay on the package.
3. Loosen the 2 Handles ① and then move the Position ② to have the press bar in proper position (higher than the package for easily go through).
4. Press the 2 Handles ① to fix Position ②.
5. Press Start Switch to restart the machine.

6. Troubleshooting

The LCD display would flash and show failure message when machine is not working due to malfunction.

Message shown on the LCD could be follows:

1. Reminder message:

- a. Push Start: Please press the Start Switch to make machine function. This is especially necessary after the Safety Switch is released or after you just turn on the machine.

- b. Load Strap: Load a new roll of strap or re-do the Auto Strap feeding again.
- c. B6 open; K1 open: When it shows this message after you press the Start Switch, it means the Safety Switch might not be closed or the K1 in the control box is abnormal.

2. Malfunction from switches:

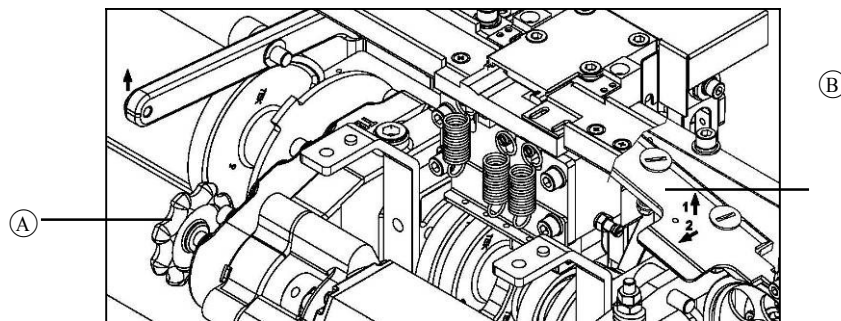
- a. S1 Error: This means the Start Switch or the Foot Pedal is continuously triggered before activating them. Please check if any of these 2 Switches is defective.
- b. S5 Error: This means the Reel Release Switch is continuously triggered before activating it. Try to press it by hand to see if it's defective.
- c. SQ1 on Error: The SQ1 is triggered when doing Auto Strap Feeding. Check if the SQ1 or the Switch lever is defective.
- d. SQ9 failure: Foot bar is not able to function properly and cause it not able to go back to home position.

3. Malfunction from procedures:

- a. ASF failed: Auto Strap Feeding failed. It might be caused by wrong inserting direction or inserting too much strap. Please re-do the Auto Strap Feeding.
- b. Feed jam: Resulting from not being able to feed strap to the sealing position.

When Feed jam occurs, press the Start Switch or Foot bar first to let the arch open and strap comes out of the arch. Hold the strap by left hand and then press the Start Switch or Foot bar again. Machine would reverse the strap a little bit and cut it, and then machine would go back to home position and feed again.

If this does not solve the problem, please take out the jammed strap by following steps:



- b-1. Open Upper Table Front Ass'y M7-5-210020.
- b-2. Lift up the Lever (A) (M7-2-101400/M7-2-101410) with left hand and take out the Cover (B) (M7-1-311220) for the Upper Guide with right hand at the same time.
- b-3. Take out the jammed strap and cut it.

- b-4. Put the cover (M7-1-311220) for the Upper Guide back to its position and put the Upper Table Front Ass'y back as well. Push START switch in the control panel to RESTART machine.

If the Feed jam problem still cannot be solved, the following causes have to be checked as well:

Fault	Cause	Remedy
Feed jam	Strap is too curved	Change strap
	Insufficient feeding pressure	Adjust feeding pressure according to 5.5
	Too much strap amount in the accumulator box and has caused strap to be curved	Adjust to proper strap amount in the accumulator box according to 5.1

c. Other malfunctions:

Fault	Cause	Remedy
Sealing failure	Too much debris on both sides of heater plate	Clean both sides of the heater plate by fine sandpaper
	Insufficient heater temperature	Increase the heater temperature according to 5.3
	Insufficient cooling time	Increase cooling time according to 4.3
Insufficient strap tension	Soft-High tension switch is at "soft" position	Turn it to "high" position
	Lubricant drops into tension roller incautious	Clean the lubricant
	Too much debris in the gear of tension roller	Clean the debris
Press Bar no function	No air supply	Make sure the air supply is correct.
	Press Bar function is not ON	Enable Press Bar function (refer to 4.3)
	Press Bar is not moving freely	Clean and lubricate it.
	Solenoid Valve is not functional	Replace Solenoid Valve

7. Maintenance

Warning:

Before any maintenance or repairs on the machine, set the Main Power Switch to "O" (OFF). Wait about 5 minutes for cooling down the heater to avoid burns with this area.

1. Cleaning and Lubrication

The high reliability and long service life of the strapping machine will depend on regular cleaning and maintenance.

ATTENTION!

All the important strap transportation components, such as the drive rollers and the strap guides, must be kept free from oil and grease. (lubricant)

The lubricant has to be non-resinous.

The lubricant is SAE 30

2. Maintenance

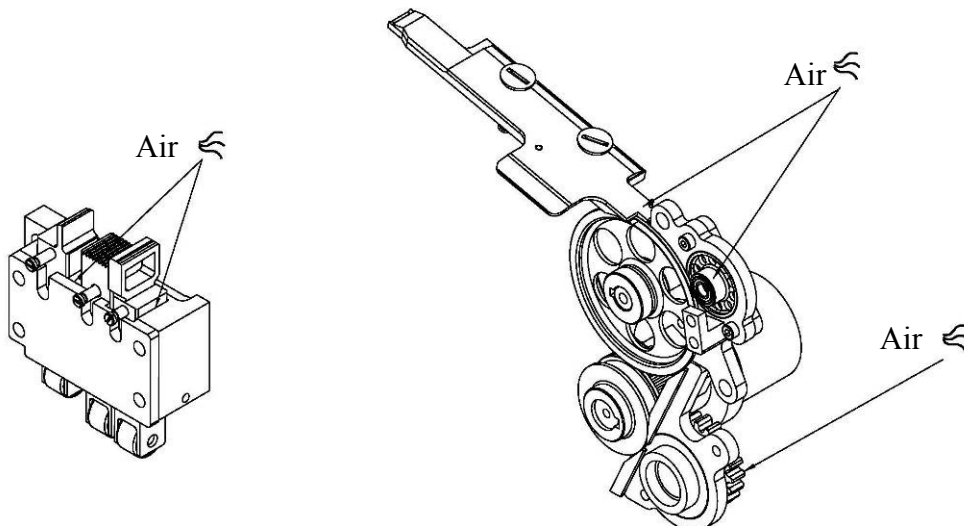
Only use original spare parts supplied by manufacturer.

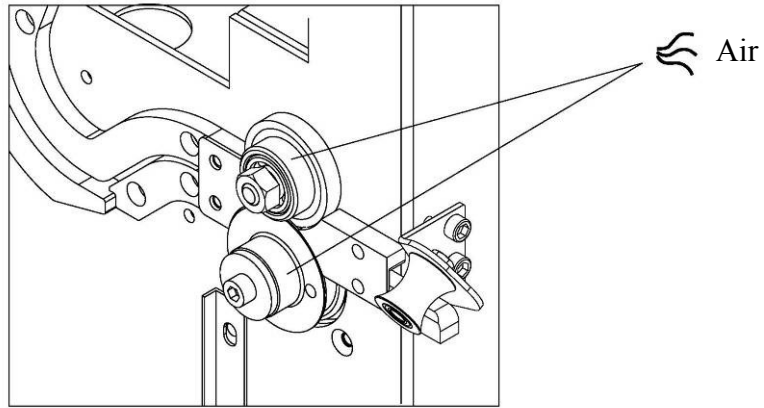


Daily:

Use air gun to clean the following indicated positions (nearby the cutters, strap guide and accumulating feeding rollers) daily

Remove plastic residue in the machine.



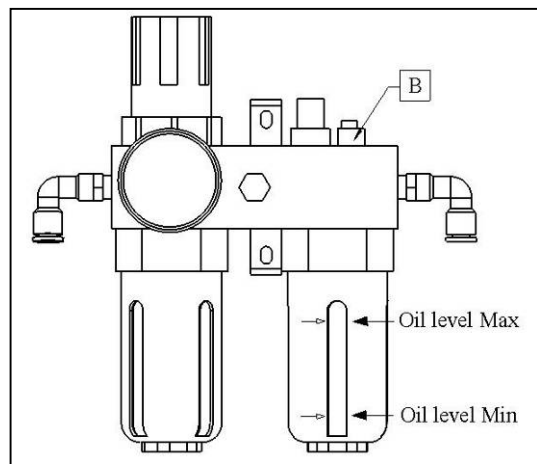
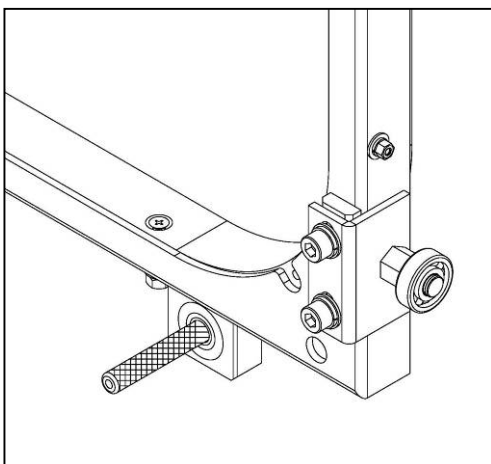
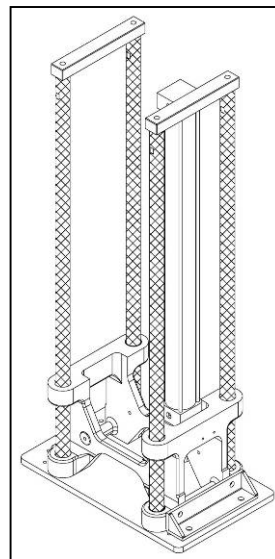
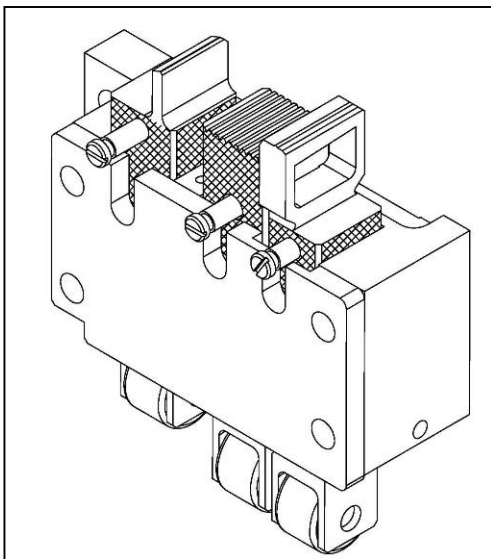


Weekly:

Lubricate front bar, press bar, rear bar and shafts in arch and the guide shafts of press bar weekly.

Please refer to the following mesh areas for instruction.

Before lubricating, be sure to clean the parts first to avoid mixing oil and debris which might have a bad effect on machine's function.



Check the oil level in the F.R.L. combination

If the oil is lower than the Oil Level Min, it must be filled with lube (Viscosity ISO VG32).

Remove the cover B by turning it counterclockwise and then fill the lubricant till Oil Level Max and then screw cover B back.

Check the machine by strapping several bundles for any failures.

Monthly :(or 100,000 strapping cycles)

Clean both sides of heater plate and polish with fine sandpaper if necessary

ATTENTION: Make sure the welding plate is cool first!!

Check Front Bar, Press Bar, and Rear Bar for moving upward and downward neatly. The Slide Table and Strap Track Frame should be able to go back to its home position by the force of spring as well.

Be sure to clean any debris in the tension roller

6 Months: (or 500,000 strapping cycles)

Check heating element, replace and re-adjust it if necessary.

Check strap cutter in sealing head, replace it if necessary.

Check if the connector at wiring housing to printed circuit board is firmly fixed.

Check if the safety switch on front table or right door functions well.

Make machine ready for operation. Strap one bundle manually several times, paying attention to mal-functions, repeat procedure.

Initiating several cyclings with package manually for testing and pay attention to any mal-functions. Make sure the strap accumulating function is well. If necessary, replace the assistant rollers, do proper adjustments to accumulating feeding pressure or to the clearance in the reel brake.

Slightly lubricate the sealing head (bearing points) with light lubricant if necessary.

1 year :(or 1,000,000 strapping)

Replace deflection roller if it shows visible changes.

In case of loud noise at bearings: locate them, replace the bearings.

Get machine ready for operation again, strap one bundle manually several times, paying attention to malfunctions.

3. Cleaning / Replacing Heater

Cleaning

1. Turn off the power and open the Upper Table Front Ass'y and Upper Table Rear Ass'y (M7-5-210031, M7-5-220001, M7-5-203100 & M7-5-230100).
2. Make sure that the heater cools down already and the temperature is not too hot to let you get hurt.
3. Loosen the fixed screws of the heater cover (M7-1-101700) and remove it from the machine.
4. Remove the screw (HBS0540HN) of Heater Crank(M7-1-141100).
5. Remove the Return Spring (T7-1-64130) of the Heater Crank (M7-1-141100).
6. Remove the Heater Crank (M7-1-141100) by pushing it backward.
7. Clean both upper side and down side of the Heater carefully with fine sander paper.
8. Re-installation the heater back to the machine in reverse sequence.

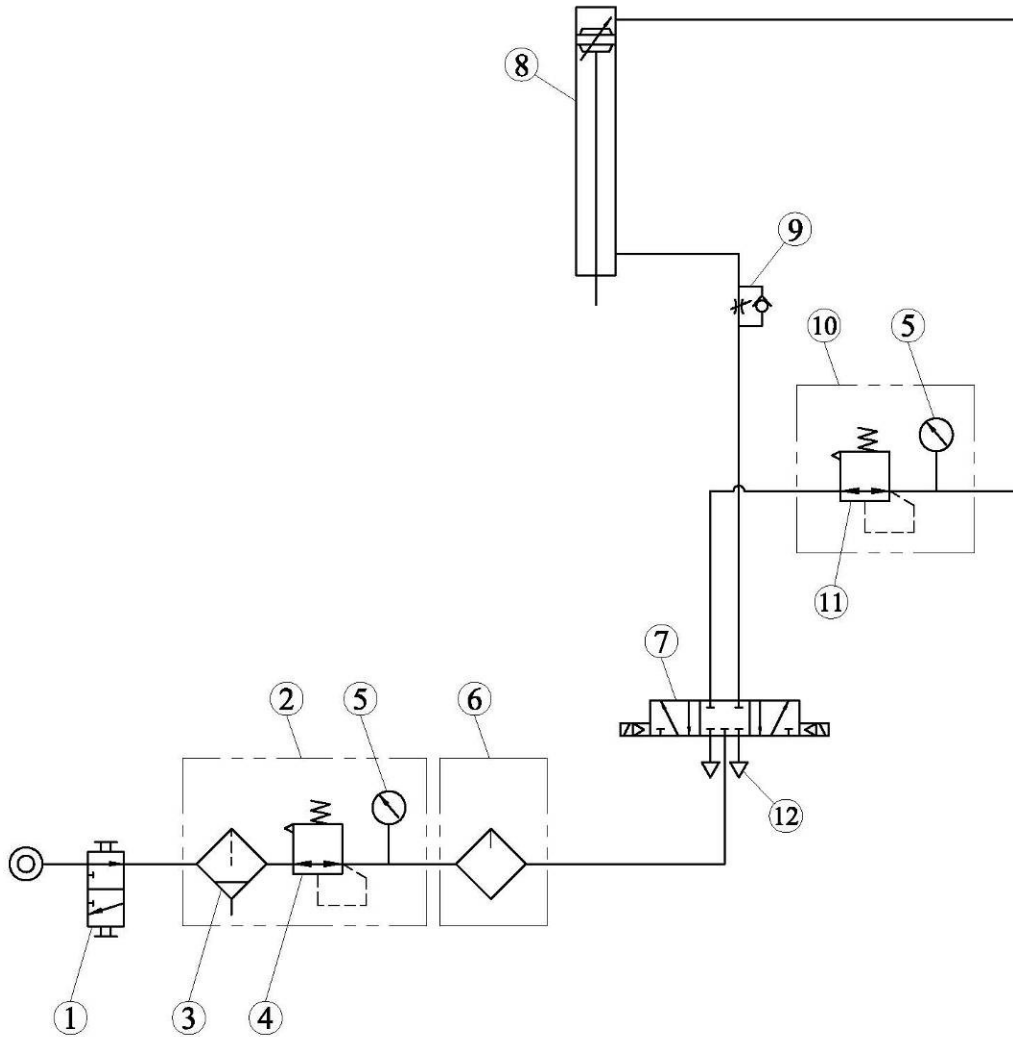
Replacing

1. Same sequence as step 1-6 mentioned above.
2. Turn over the Heater Bracket (M7-1-141300) so that you can loosen the nuts of the heater.
3. After you loosen the nuts, turn the Heater Bracket back to its original position.
4. Take out the Heater Ass'y and make sure the insulations stay intact. If any of insulation fall and get broken, please replace with new one to avoid welding problem.
5. Install the new Heater Ass'y in reverse sequence.
6. Rotate the M1 Handle (T7-1-11240) forward till the Heater Ass'y goes to welding position.
7. Make sure the clearance between Heater Ass'y and Slide Table (M7-1-131600) is about 1.8 - 2.2mm.
8. If the clearance is too big, adjust it by turning HBS0530N clockwise. If the clearance is too small, adjust it by turning HBS0530N counterclockwise.

shape	classification	shape	classification
;	HBS		ER
	TMS	©	RR
	PMS	0	SR
!	FMS	LJ	SP
i	HB	9	BR
	THS	@	MB
	HSS	@	KYA
g	CAP	@	KYB
	HN	<3	KYC
	WN	i	HBW
	FLG	@	PWA <p8x<p12- <p 16x0.8-1.2t <p6x<p13- <p 14x0.8-1.2t
	NTE	@)	PWB <p 8x <p 14-, <p 16x1.2-1.5t <p6x<p15- <p 16x1.2-1.5t
@)	PN	@)	PWC <p8x<p2 <p 23x2.0t <p6x<p 16- <p 19x2.0t
@	PW	@	PWD
©	SW		DS
0	TW		TTP
@	BWW	Cf	FTP

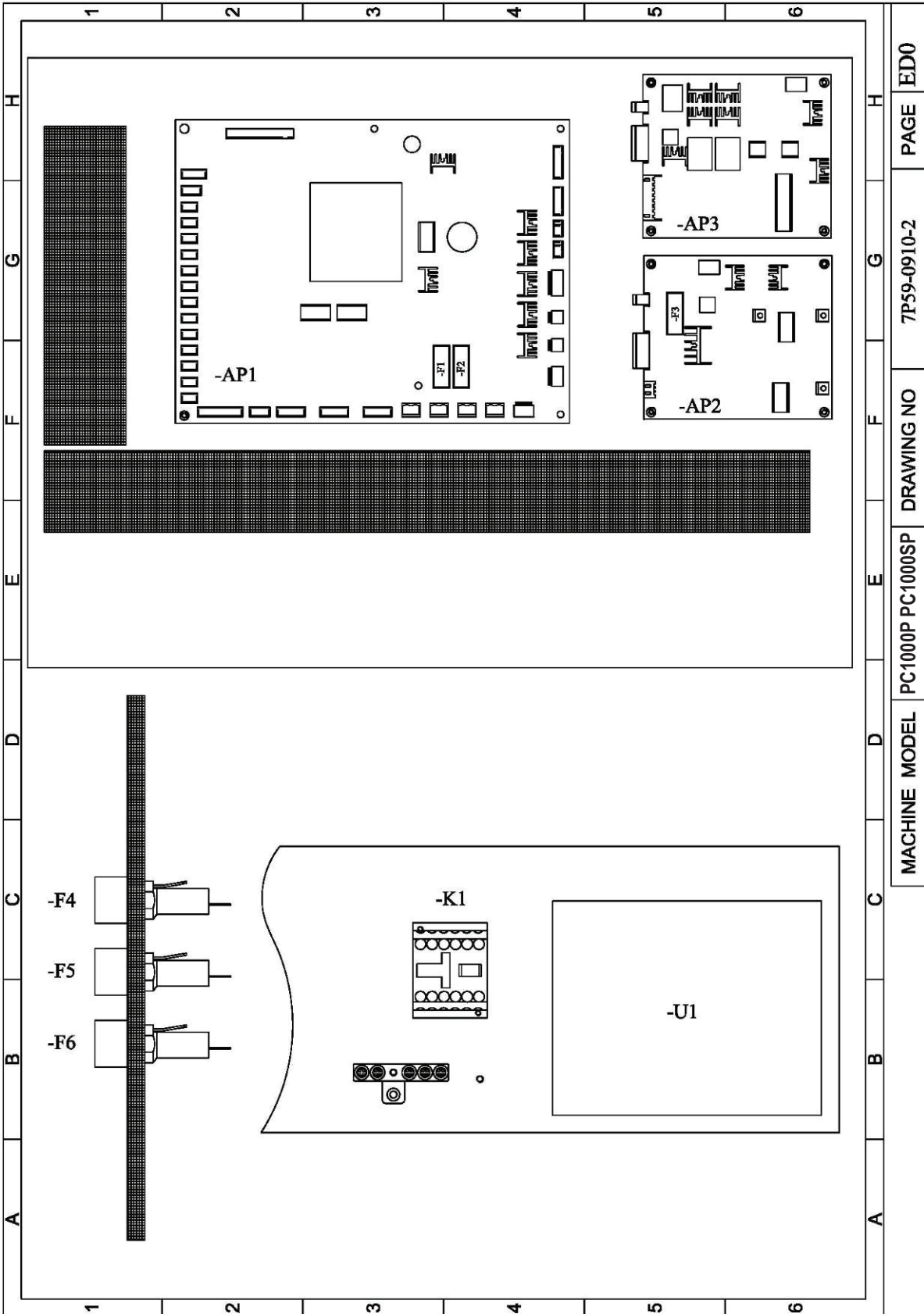
PART II

1. Pneumatic System Diagram (For TP-702P)



REF. NO.	DESCRIPTION	Q'TY
1	Manual Spool Valve	1
2	Filter / Regulator Combination	1
3	Filter	1
4	Regulator (Hi-Pressure)	1
5	Pressure Gauge	2
6	Lubricator	1
7	Solenoid Valve (5/3)	1
8	Cylinder	1
9	Control Valve	1
10	Air Regulator	1
11	Regulator (Low-Pressure)	1
12	Brass Silencer	2

2. Wiring Diagram



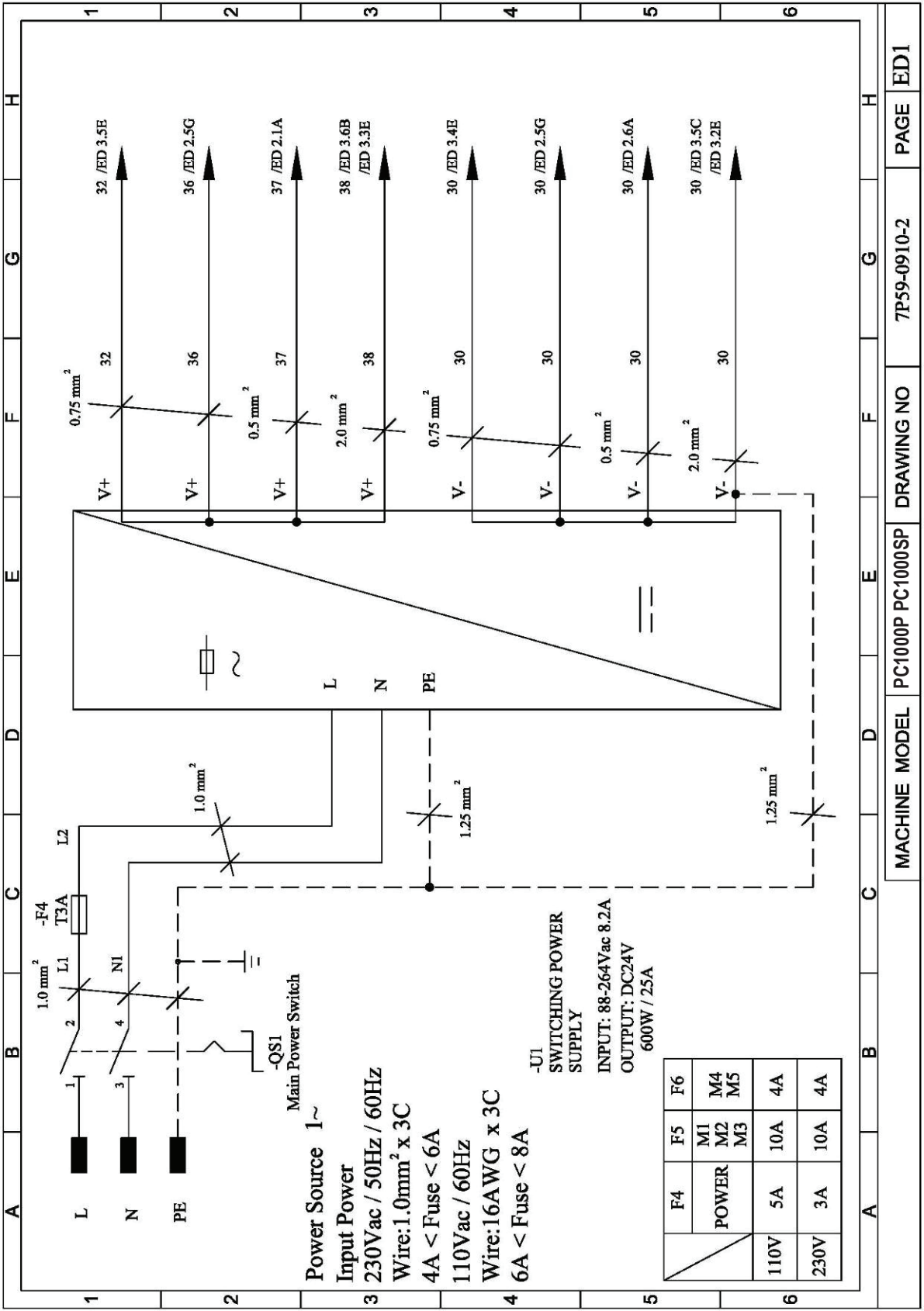
PAGE EDO

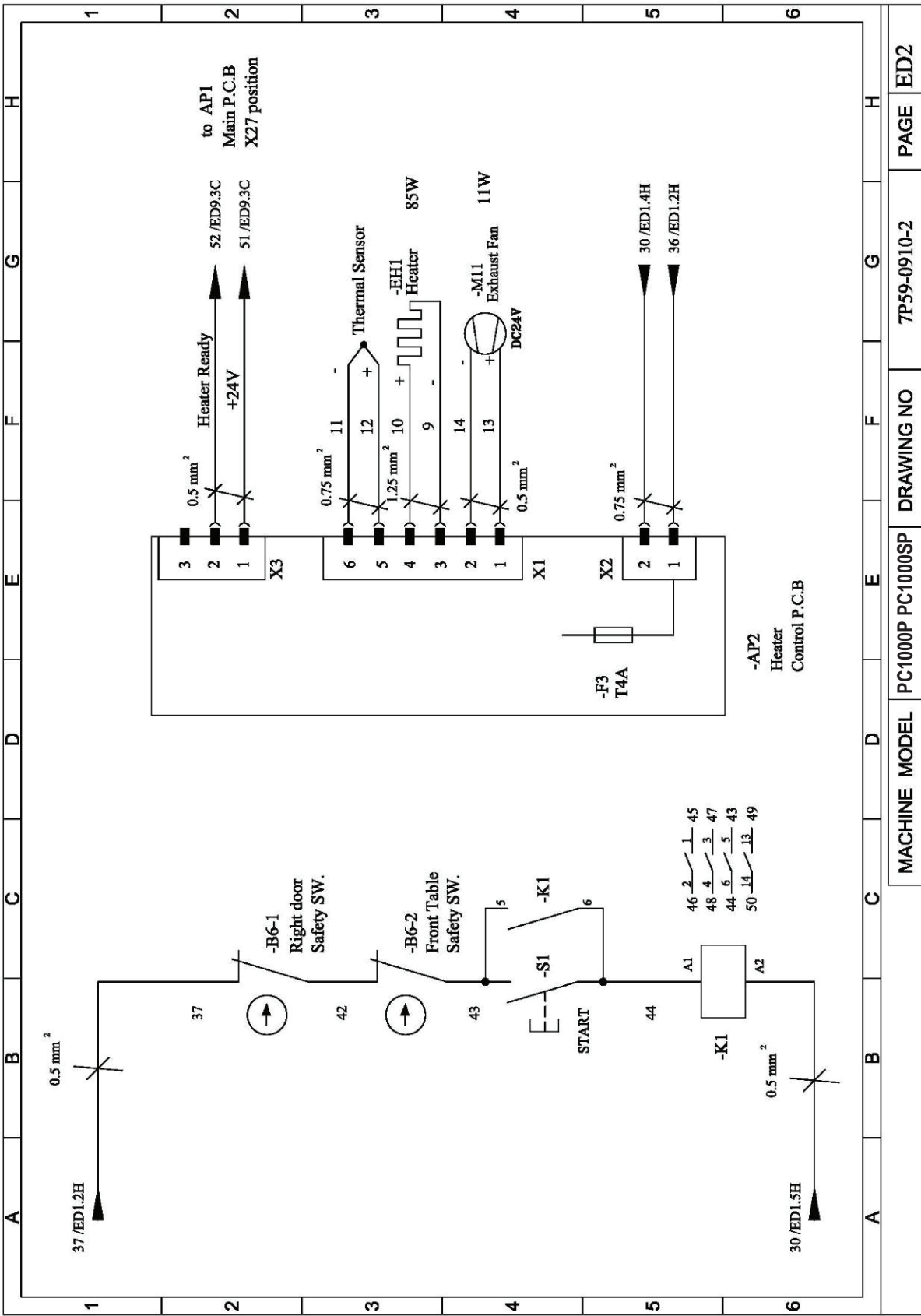
7P59-0910-2

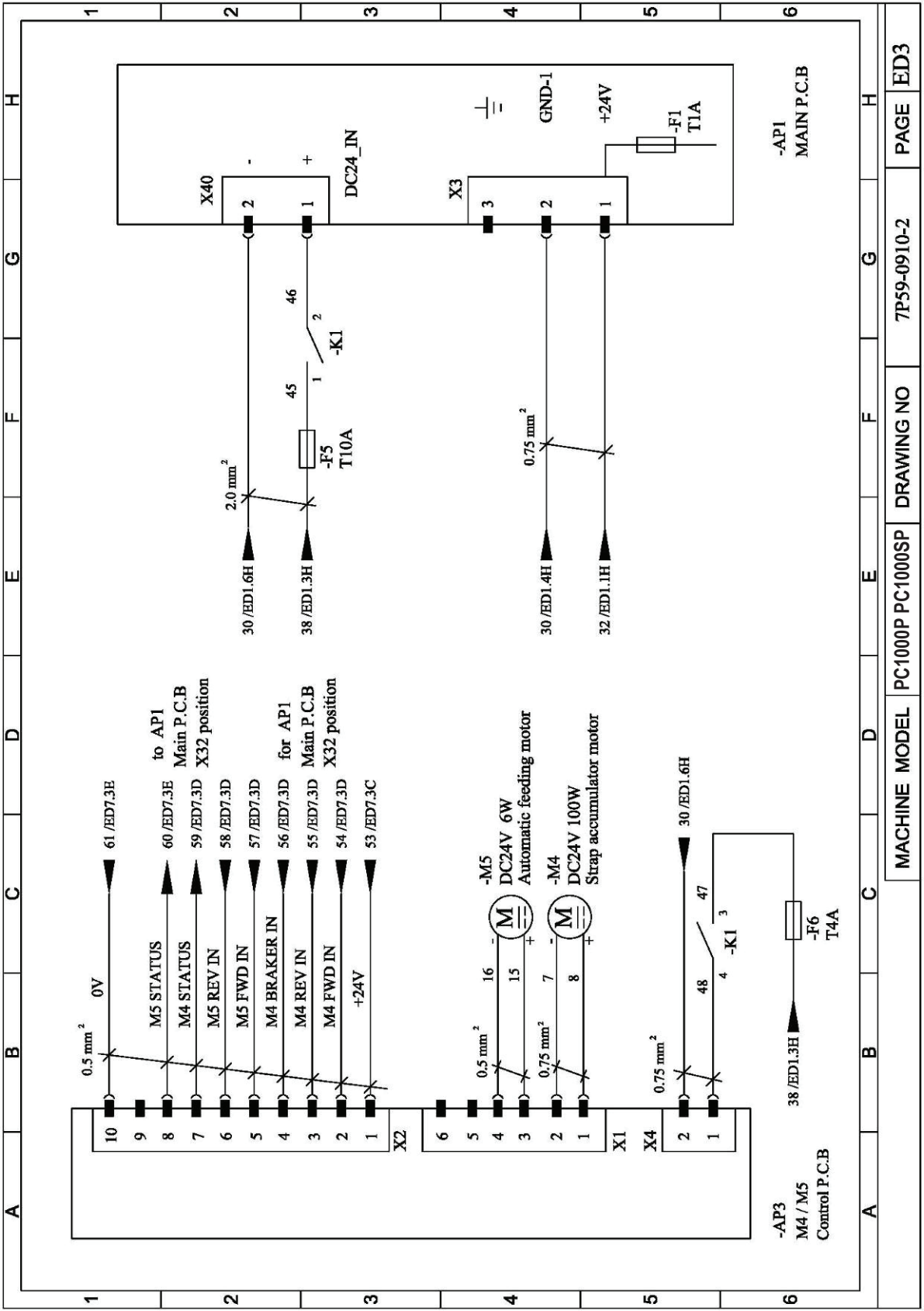
DRAWING NO

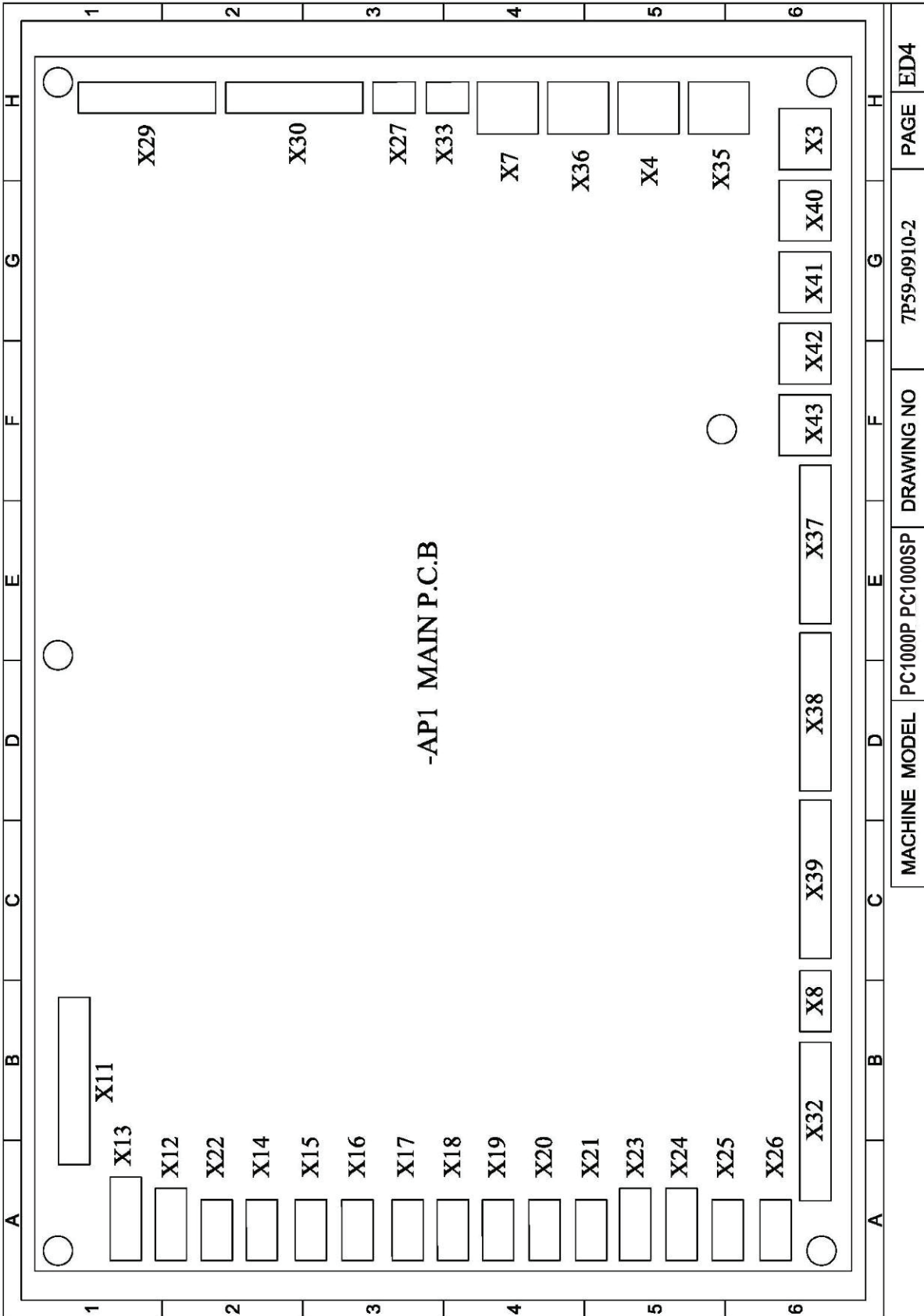
PC-1000P PC1000SP

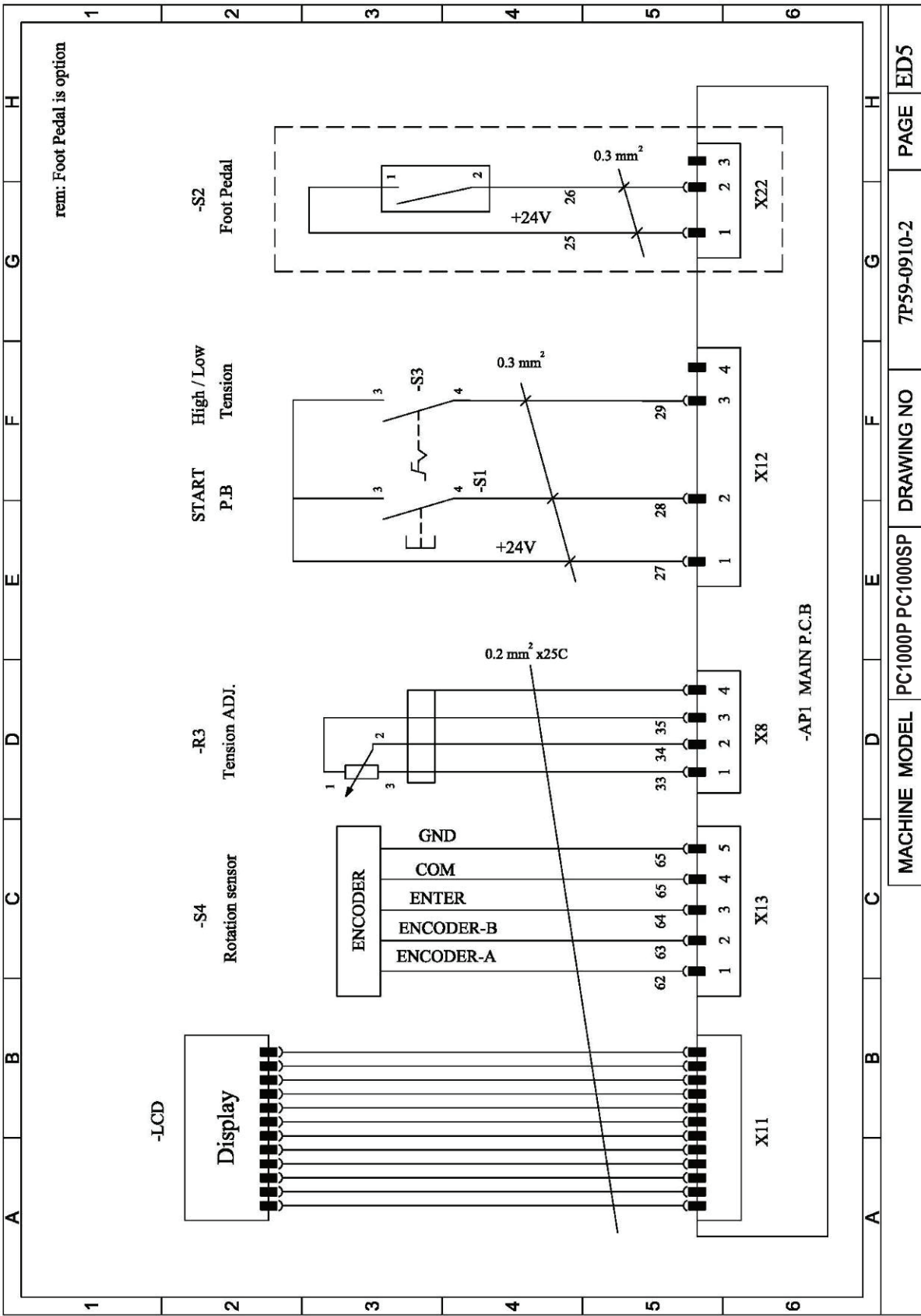
MACHINE MODEL



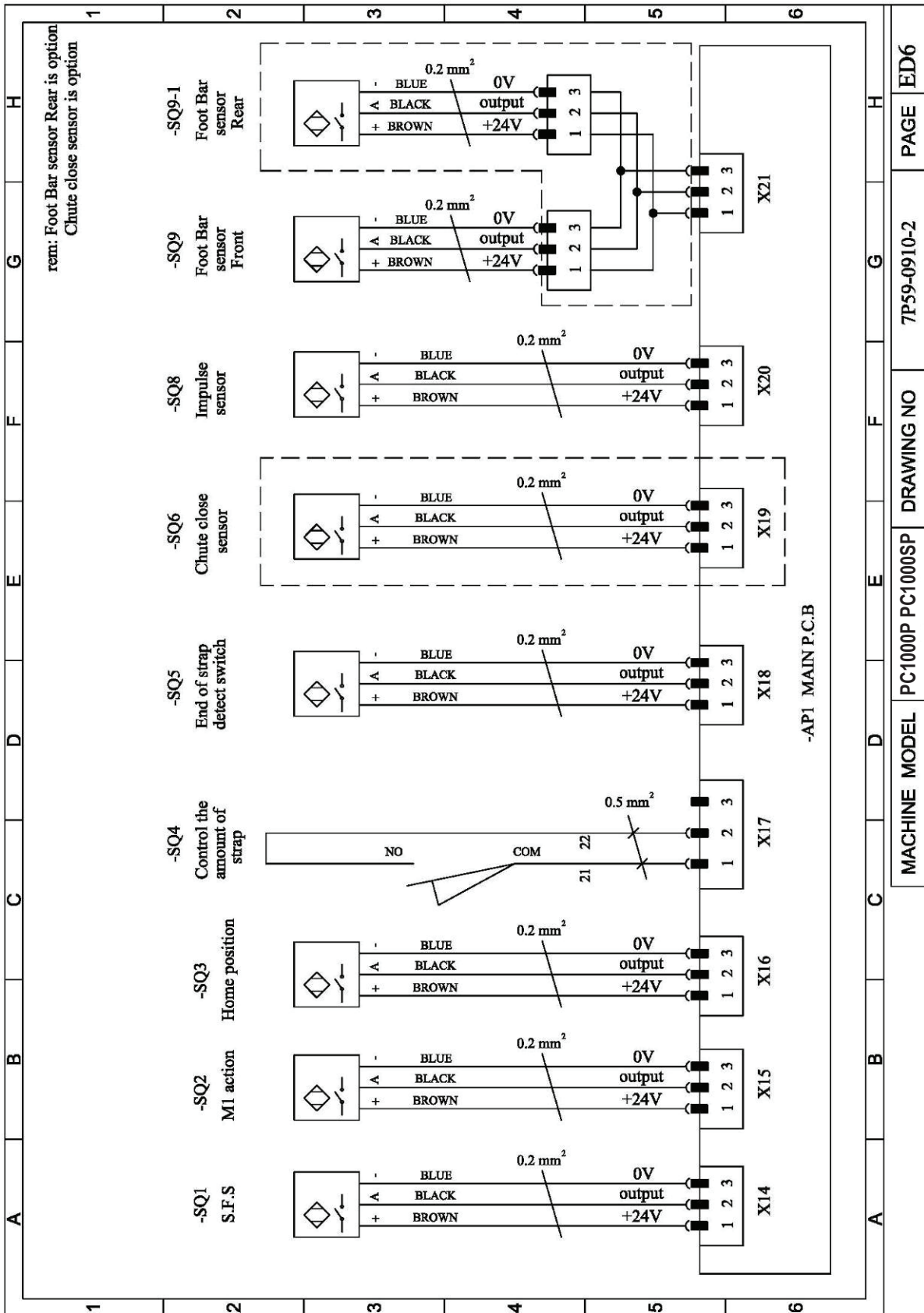


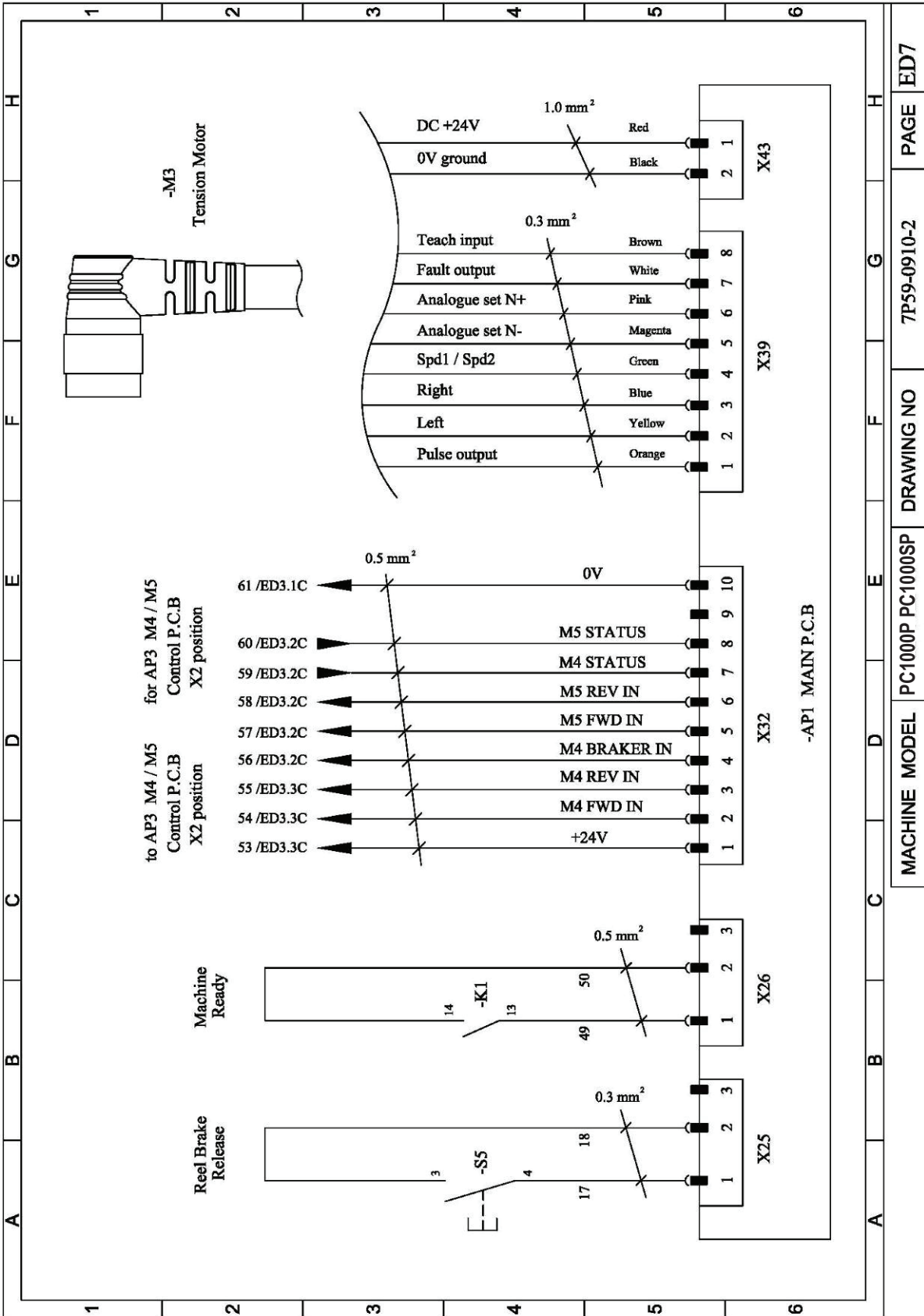


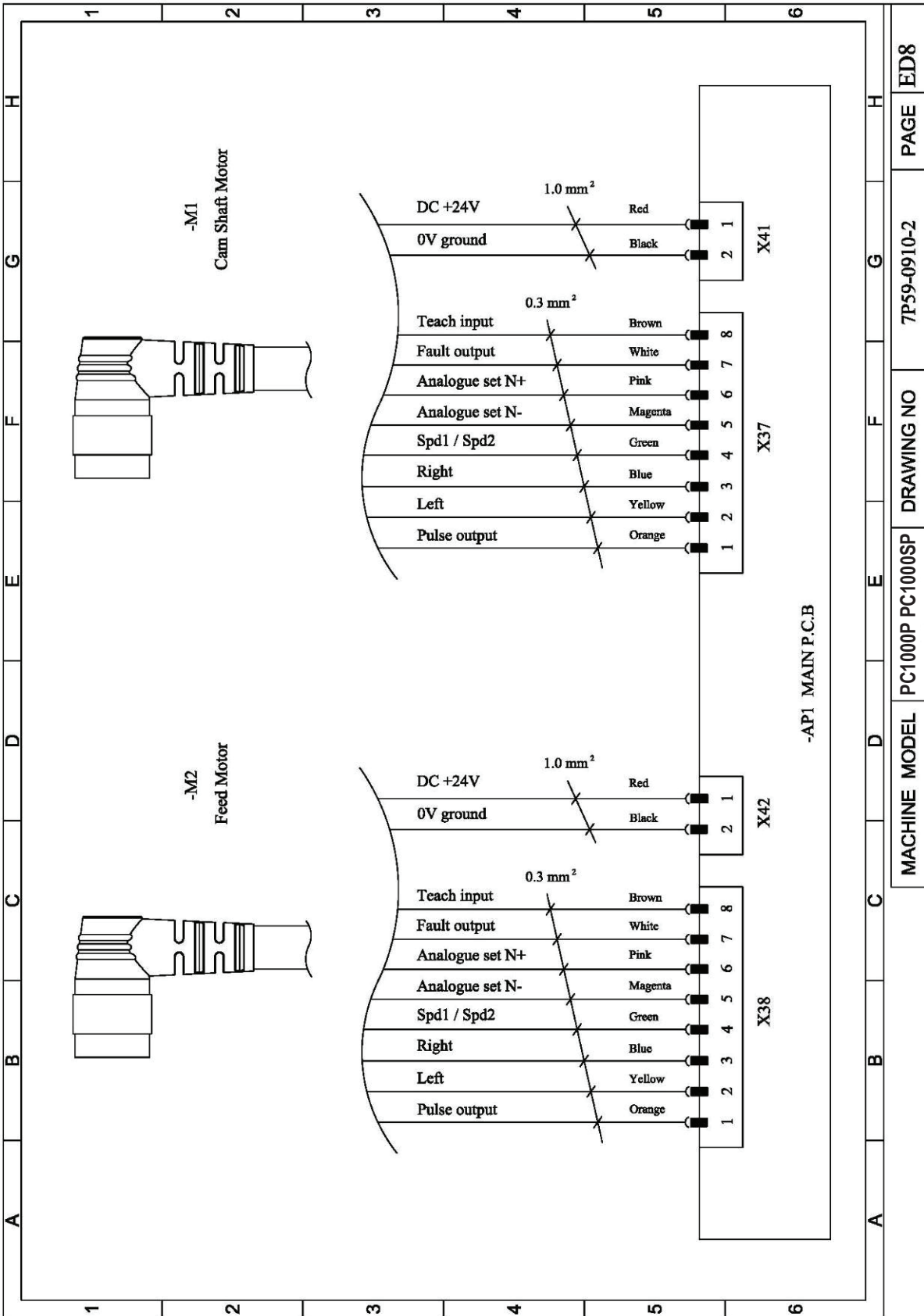


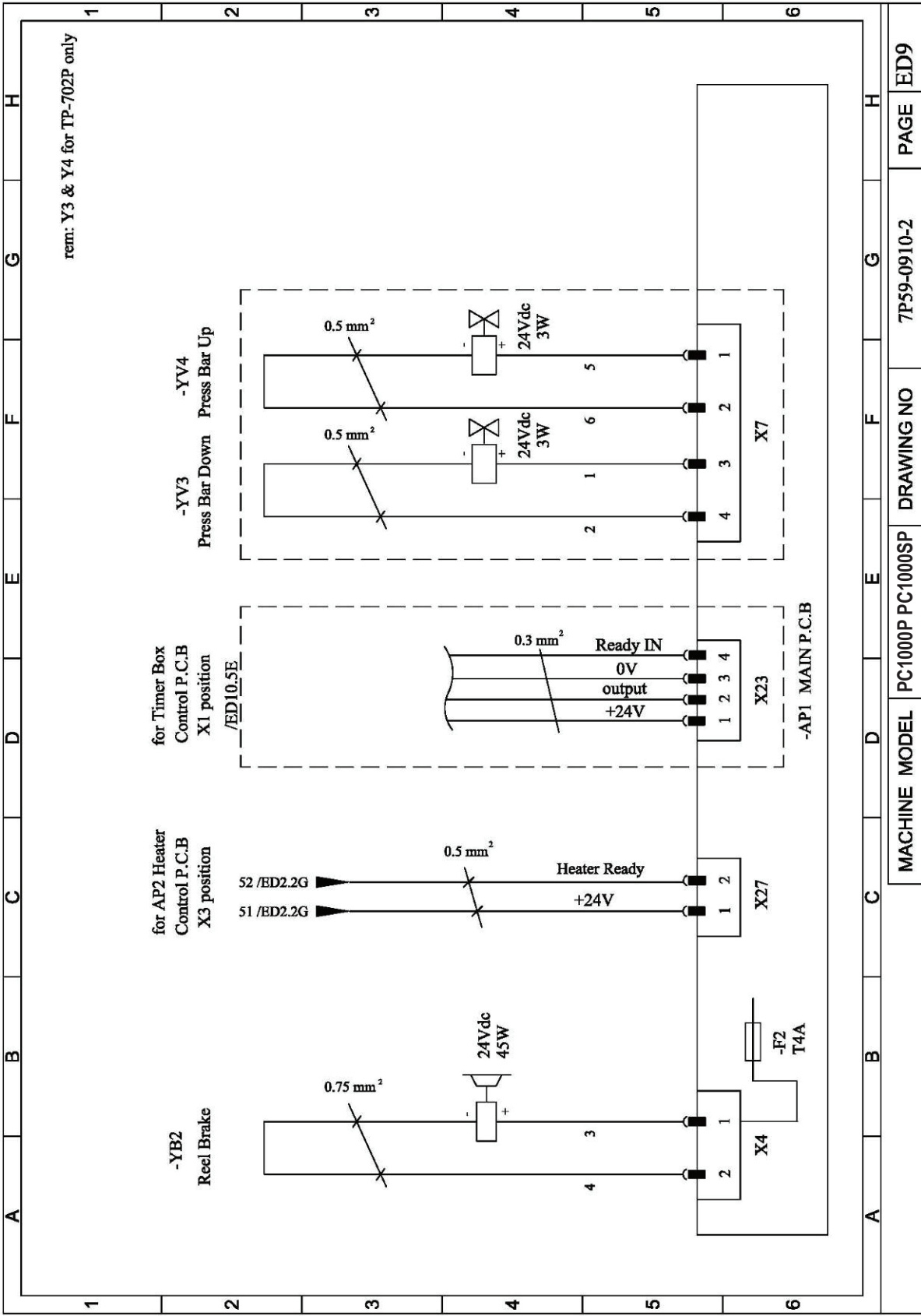


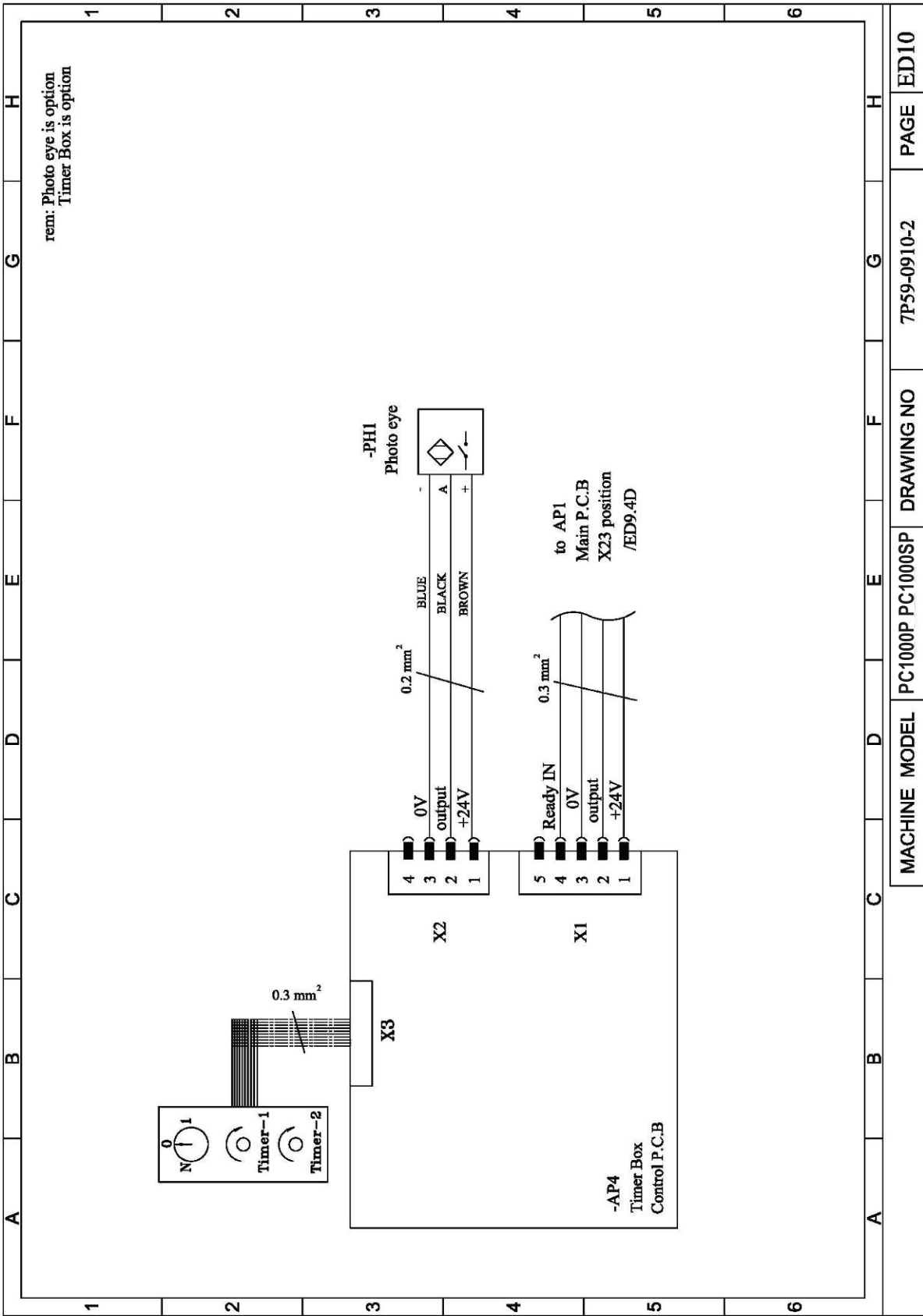
MACHINE MODEL	PC1000P	PC1000SP	DRAWING NO	7P59-0910-2	PAGE	ED5
---------------	---------	----------	------------	-------------	------	-----



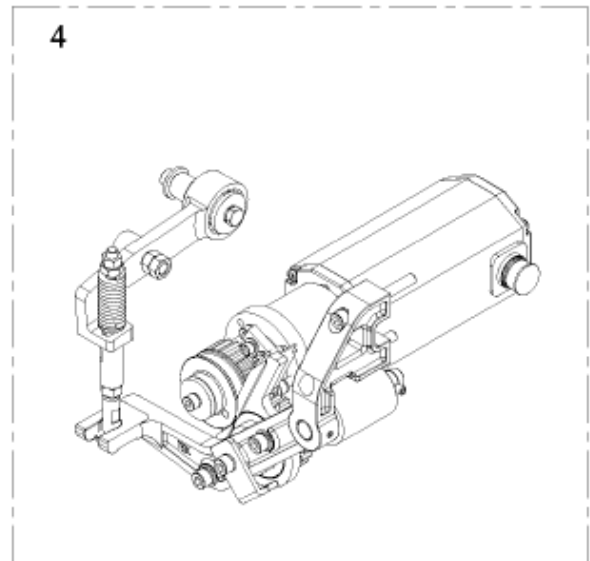
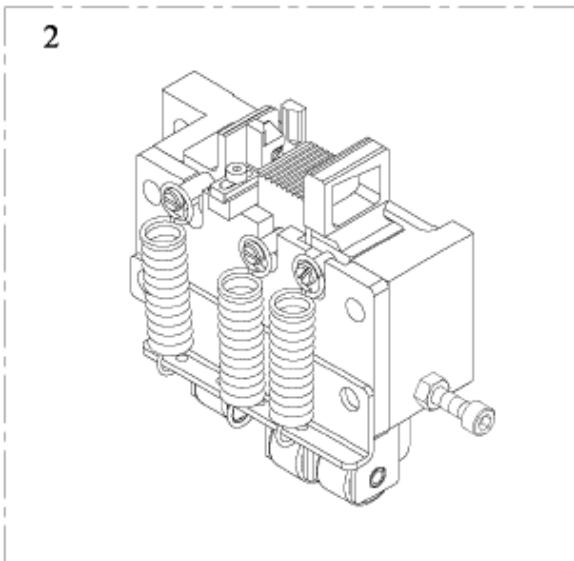
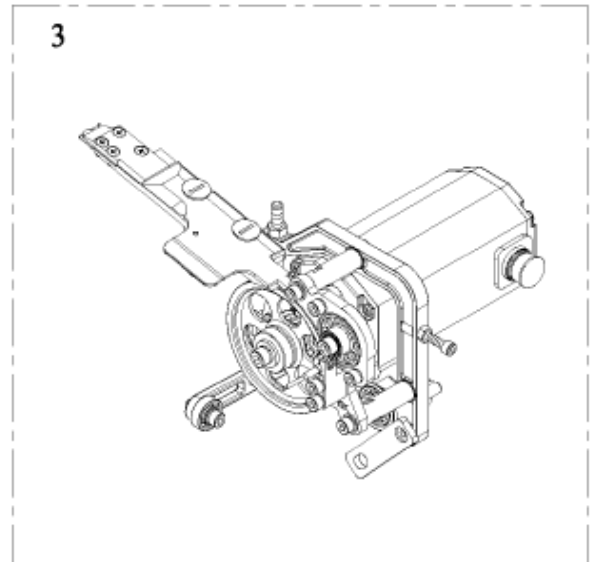
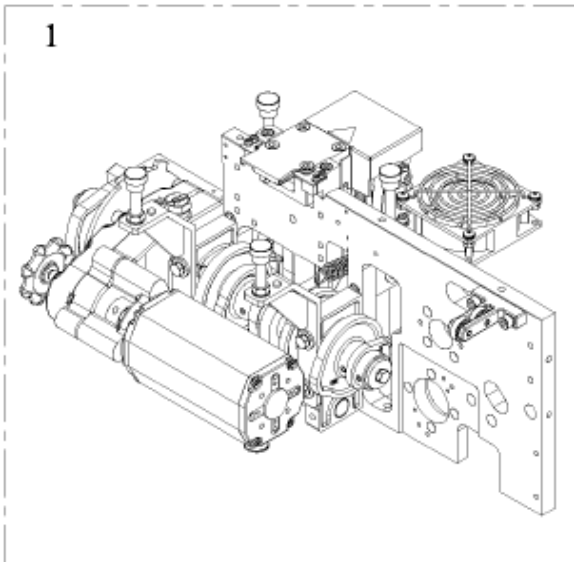
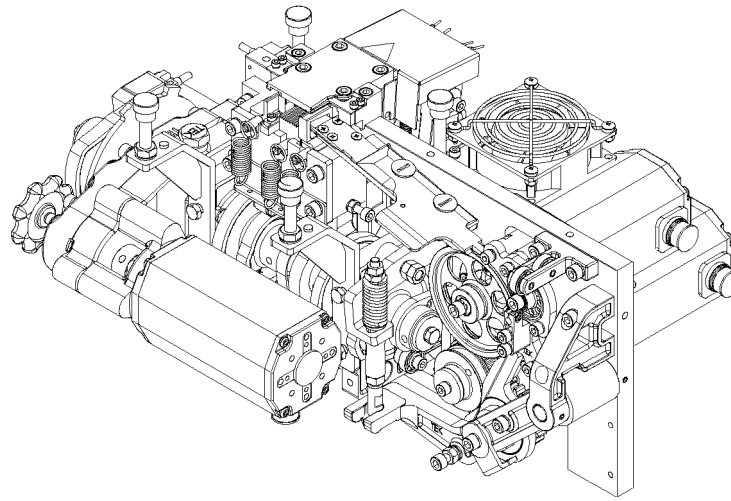






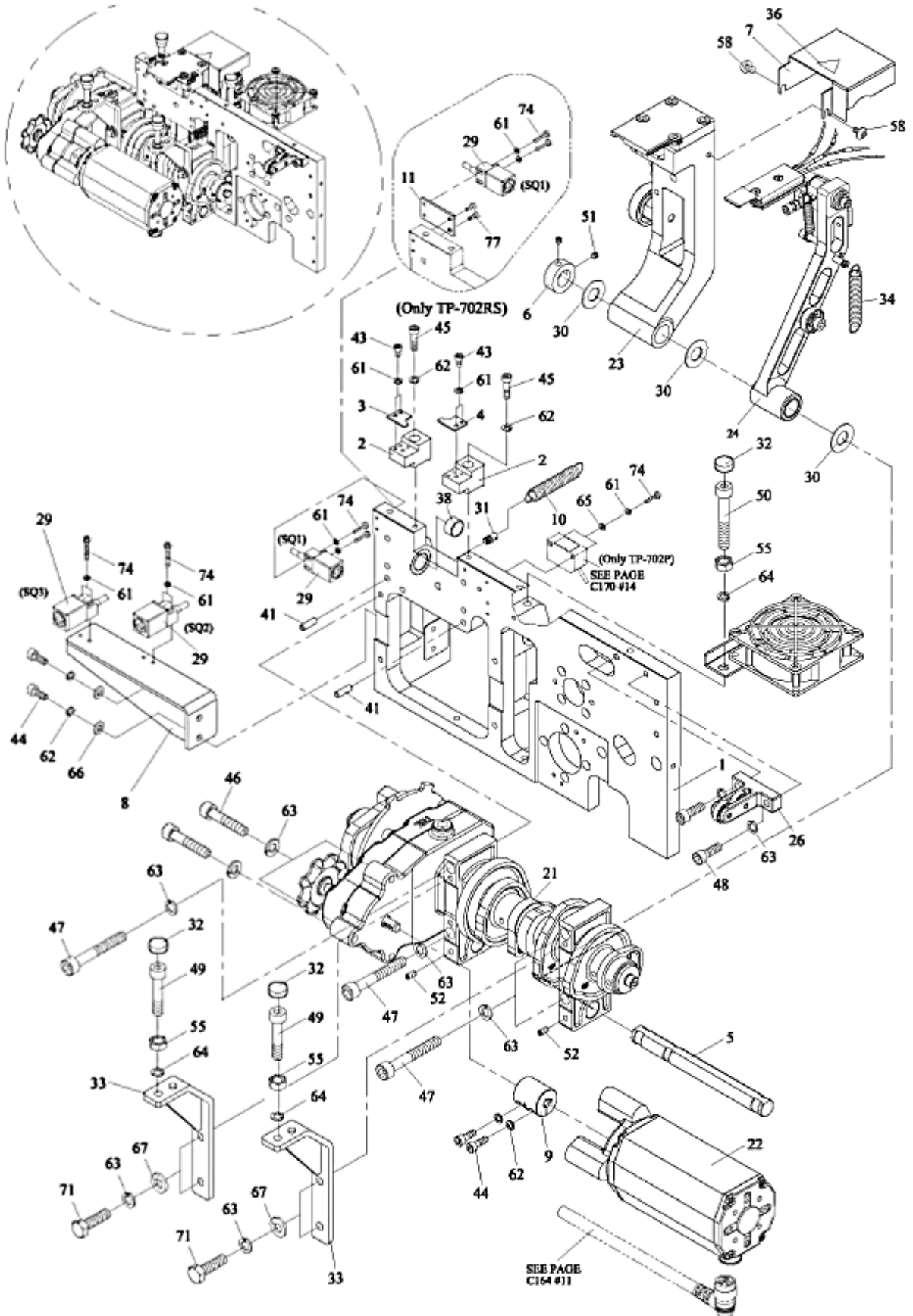


PART III



1**STRAPPING HEAD UNIT****M7-1-900063****M7-1-900073**

REF. NO.	PART NO.	DESCRIPTION	Q'TY	POLYCHEM PART #
	M7-1-900063	Strapping Head Unit (For TP-702P, 5-6mm)	1	X
	M7-1-900073	Strapping Head Unit (For TP-702P, 9mm)	1	X
	M7-1-900093	Strapping Head Unit (For TP-702RS, 5-6mm)	1	X
	M7-1-900103	Strapping Head Unit (For TP-702RS, 9mm)	1	X
1	M7-1-100023	Cam Group (For TP-702P, 5-6mm)	1	X SEE PAGE C3
	M7-1-100041	Cam Group (For TP-702P, 9mm)	1	X
	M7-1-100033	Cam Group (For TP-702RS, 5-6mm)	1	X
	M7-1-100051	Cam Group (For TP-702RS, 9mm)	1	X
2	M7-1-200000	Bar Guide Group (For TP-702P)	1	(SEE PG.C19) 191709
	M7-1-200010	Bar Guide Group (For TP-702RS)	1	191743
3	M7-1-300002	Feed Group (For TP-702P, 5-6mm)	1	X SEE PAGE C27
	M7-1-300012	Feed Group (For TP-702P, 9mm)	1	X
	M7-1-300031	Feed Group (For TP-702RS, 5-6mm)	1	X
	M7-1-300041	Feed Group (For TP-702RS, 9mm)	1	X
4	M7-1-400002	Tension Group (For 5-6mm)	1	X SEE PAGE C37
	M7-1-400012	Tension Group (For 9mm)	1	204296



1-1**CAM GROUP****M7-1-10023****M7-1-10041**

REF. NO.	PART NO.	DESCRIPTION	Q'TY	POLYCHEM PART #
	M7-1-100023	Cam Group (For TP-702P, 5-6mm)	1	X
	M7-1-100041	Cam Group (For TP-702P, 9mm)	1	X
	M7-1-100033	Cam Group (For TP-702RS, 5-6mm)	1	X
	M7-1-100051	Cam Group (For TP-702RS, 9mm)	1	191655
1	M7-1-101100	Strapping Head Frame	1	191500
2	M7-1-101200	Guide (For TP-702P)	2	191496
	M7-1-101210	Guide (For TP-702RS)	2	X
3	M7-1-101300	Ejector Plate (L)(For TP-702P)	1	X
	M7-1-101310	Ejector Plate (L)(For TP-702RS)	1	191582
4	M7-1-101400	Ejector Plate (R)(For TP-702P)	1	X
	M7-1-101410	Ejector Plate (R)(For TP-702RS)	1	X
5	M7-1-101500	Shaft	1	191474
6	M7-1-101600	Collar	1	X
7	M7-1-101700	Cover (For TP-702P)	1	191582
	M7-1-101710	Cover (For TP-702RS)	1	X
8	M7-1-101800	Sensor Base	1	X
9	M7-1-101900	Coupling	1	X
10	M7-1-102000	Spring	1	191474
11	M7-1-102100	Sensor Bracket (Only TP-702RS)	1	X
21	M7-1-110002	Gear Box and Cam Ass'y (For TP-702P, 5-6mm/TP-702RS, 5-6mm/9mm)	1	X SEE PAGE C7
	M7-1-110020	Gear Box and Cam Ass'y (For TP-702P, 9mm)	1	
22	M7-1-120000	M1 Motor Ass'y	1	X SEE PAGE C9
23	M7-1-130002	Slide Table Frame Ass'y (For TP-702P, 5-6mm)	1	(SEE PG. C11) 191575
	M7-1-130030	Slide Table Frame Ass'y (For TP-702P, 9mm)	1	191637
	M7-1-130012	Slide Table Frame Ass'y (For TP-702RS, 5-6mm)	1	X
	M7-1-130020	Slide Table Frame Ass'y (For TP-702RS, 9mm)	1	
24	M7-1-140000	Heater Arm Ass'y (For TP-702P)	1	SEE PAGE C13
	M7-1-140010	Heater Arm Ass'y (For TP-702RS)	1	
25	M7-1-150000	Exhaust Fan Ass'y	1	SEE PG. C15) 191658
26	T7-1-16000	Block Ass'y (For TP-702P)	1	X SEE PAGE C17
	T7-1-70030	Block Ass'y (For TP-702RS)	1	
29	MV-6-20220	Proximity Sensor (X14, X15, X16)(SQ1, SQ2, SQ3)	3	(SEE PG. C163)191483
30	H42-1227	Washer	3	205661
31	TA-089	Spring Hook	1	202019
32	T7-1-10330	Bumper	4	191554
33	M7-1-102500	Bumper Bracket	2	X
34	T7-1-64130	Return Spring	1	191488

REF. NO.	PART NO.	DESCRIPTION	Q'TY	POLYCHEM PART #
36	LA-40002	Label	1	X
38	MB1515	Metal Bushing, 1515	1	191507
41	SP0514	Spring Pin, 5×14	2	X
43	HBS0308N	HBS, M3×8 (N)(For TP-702P)	4	191497
	FHS0308N	FHS, M3×8 (N)(For TP-702RS)	4	X
44	HBS0516N	HBS, M5×16 (N)	4	191700
45	HBS0525HN	HBS, M5×25 (H)(N)	2	X
46	HBS0640HN	HBS, M6×40 (H)(N)	3	X
47	HBS0645HN	HBS, M6×45 (H)(N)	4	X
48	HBS0620N	HBS, M6×20 (N)	2	191726
49	HBS0840HN	HBS, M8×40 (H)(N)	2	X
50	HBS0865HN	HBS, M8×65 (H)(N)(For TP-702P)	2	X
	HBS0860HN	HBS, M8×60 (H)(N)(For TP-702RS)	2	X
51	HSS0506GN	HSS, M5×6 (G)(N)	2	191584
52	HSS0610GN	HSS, M6×10 (G)(N)	2	187433
55	HN08	HN, M8	4	187490
58	THS0508N	THS, M5×8 (N)	2	191579
61	SW03	SW, M3	10	191590
		SW, M3 (Option)	12	
62	SW05	SW, M5	6	191577
63	SW06	SW, M6	13	191562
64	SW08	SW, M8	4	191759
65	PW03	PW, M3 (Option)	2	187560
66	PW05	PW, M5	2	191578
67	PW06C	PW, M6 (C)	4	191561
71	HB0620	HB, M6×20	4	X
74	PMS0320	PMS, M3×20	6	
		PMS, M3×20 (Option)	8	191663
77	FMS0308	FMS, M3×8 (Only TP-702RS)	2	X

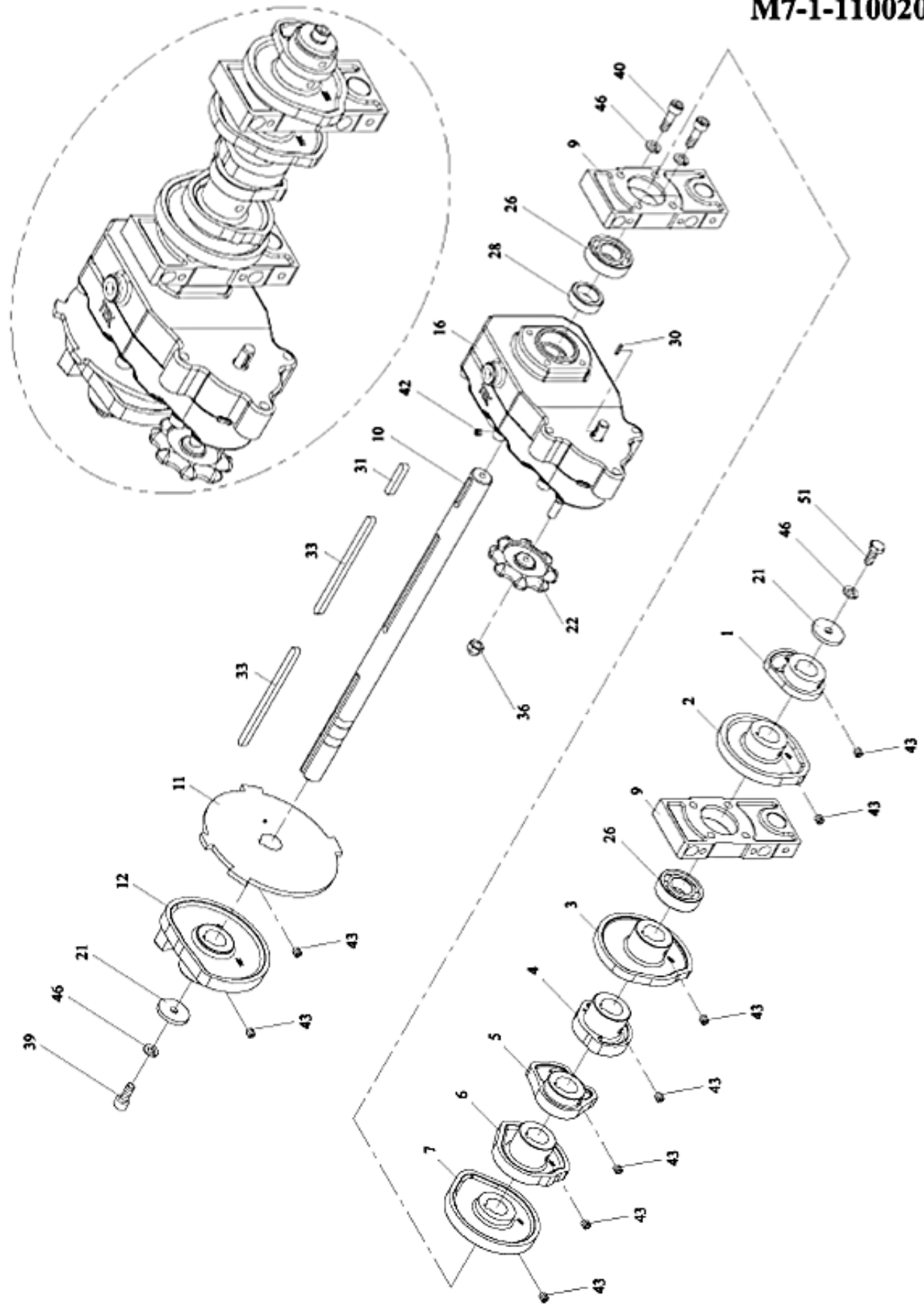


1-1-1

GEAR BOX AND CAM ASS'Y

M7-1-11002

M7-1-110020



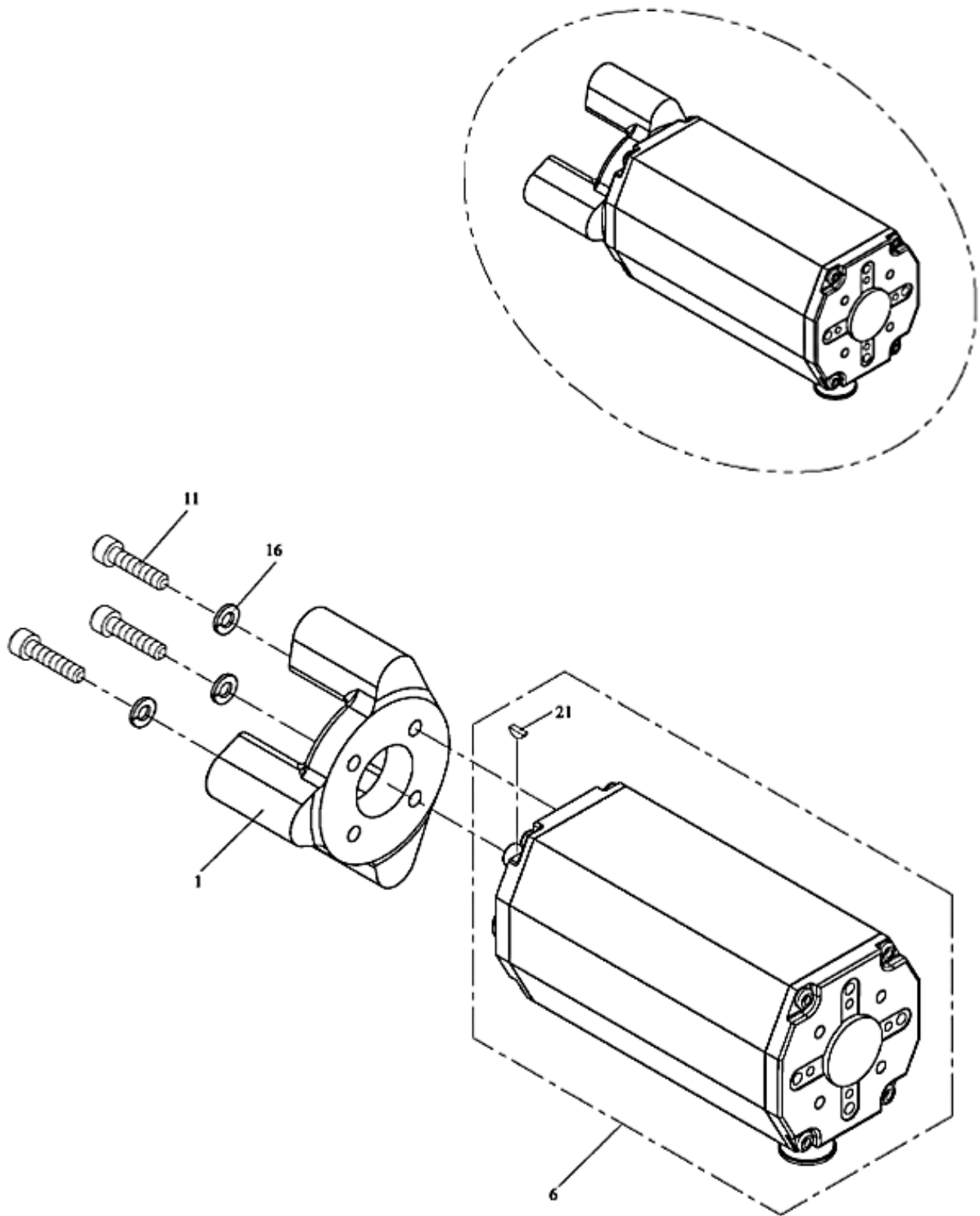
1-1-1

GEAR BOX AND CAM ASS'Y

M7-1-110002

M7-1-110020

REF. NO.	PART NO.	DESCRIPTION	Q'TY	POLYCHEM PART #
	M7-1-110002	Gear Box and Cam Ass'y (For TP-702P, 5-6mm/TP-702RS, 5-6mm/9mm)		X
1	M7-1-110020	Gear Box and Cam Ass'y (For TP-702P, 9mm)	1	X
2	M7-1-111100	Retracting Cam		X
3	M7-1-111200	Tension Cam	1	X
4	M7-1-111300	Heater Cam	1	X
5	M7-1-111400	Front Bar Cam	1	X
6	M7-1-111500	Press Bar Cam	1	X
	M7-1-111601	Rear Bar Cam (For TP-702P, 5-6mm/TP-702RS, 5-6mm/9mm)	1	X
	M7-1-111610	Rear Bar Cam (For TP-702P)	1	X
7	M7-1-111701	Slide Table Cam	1	X
9	M7-1-111900	Support	2	X
10	M7-1-112001	Cam Shaft	1	X
11	M7-1-112101	Position Cam	1	X
12	M7-1-112201	Arch Cam	1	X
16	M7-1-110100	Gear Box	1	X
21	TB-223	Washer	2	X
22	T7-1-11240	Handle	1	X
26	BR6003ZZ	Bearing, 6003ZZ	2	187830
28	MCO-A-1700800	Spacer	1	X
30	KYA020210	Key, 2×2×10	1	X
31	KYA050530	Key, 5×5×30	1	X
33	KYA0505101	Key, 5×5×101	2	X
36	CAP06	CAP, M6	1	X
39	HBS0616N	HBS, M6×16 (N)	1	191544
40	HBS0625N	HBS, M6×25 (N)	4	X
42	HSS0505GN	HSS, M5×5 (G)(N)	1	X
43	HSS0606GN	HSS, M6×6 (G)(N)	9	187305
46	SW06	SW, M6	6	191562
51	HB0616N	HB, M6×16 (N)	1	X



1-1-2**M1 MOTOR ASS'Y****M7-1-120000**

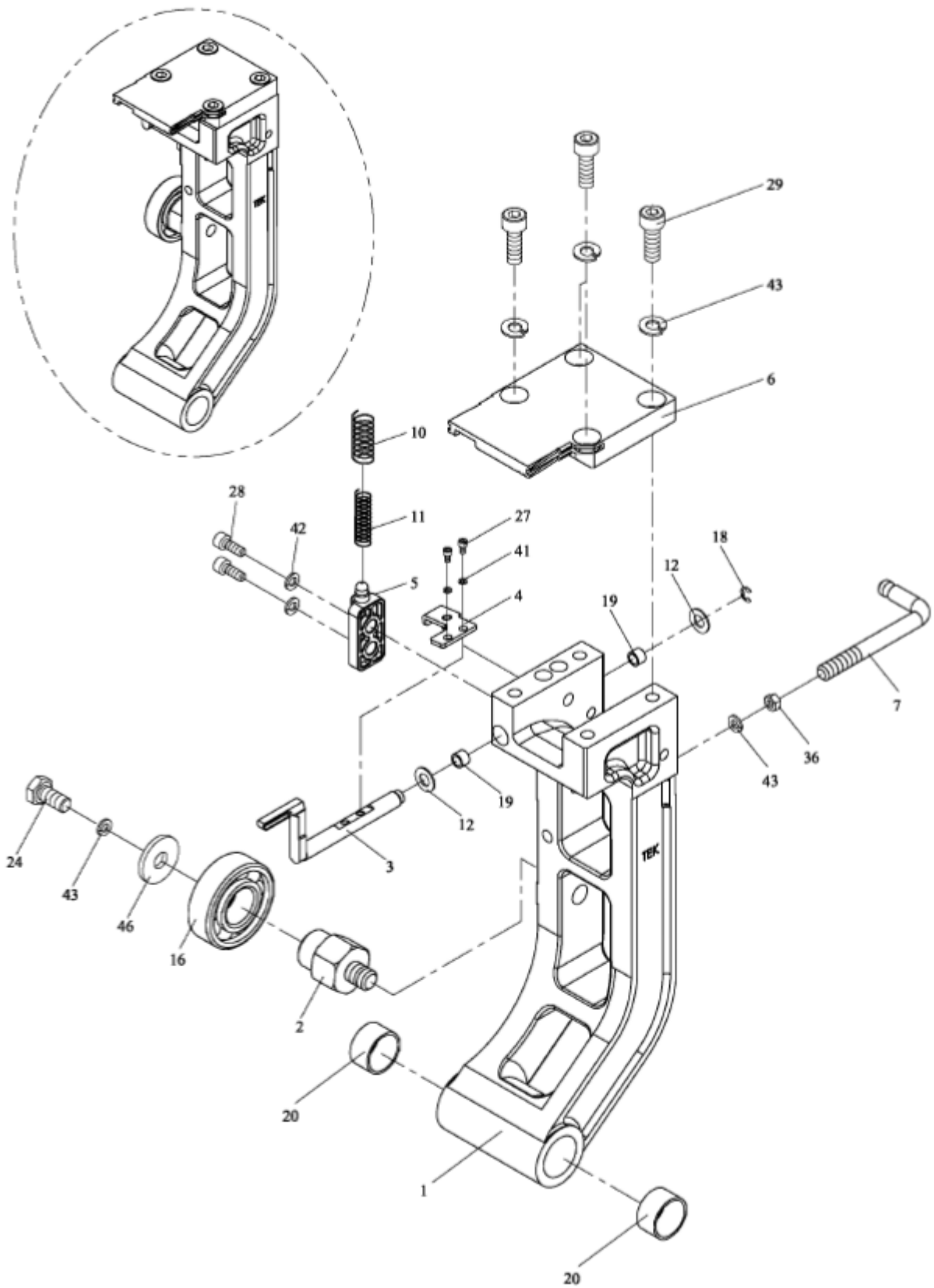
REF. NO.	PART NO.	DESCRIPTION	Q'TY	POLYCHEM PART #
1	M7-1-121100	Gear Box Support	1	205946
6	M7-1-221100	M1 Motor	1	191535
11	HBS0520N	HBS, M5×20 (N)	4	191665
16	SW05	SW, M5	4	191577
21	KYC0210	Key, 2×10	1	X

1-1-3

SLIDE TABLE FRAME ASS'Y

M7-1-130002

M7-1-130030



1-1-3**SLIDE TABLE FRAME ASS'Y****M7-1-130002****M7-1-130030**

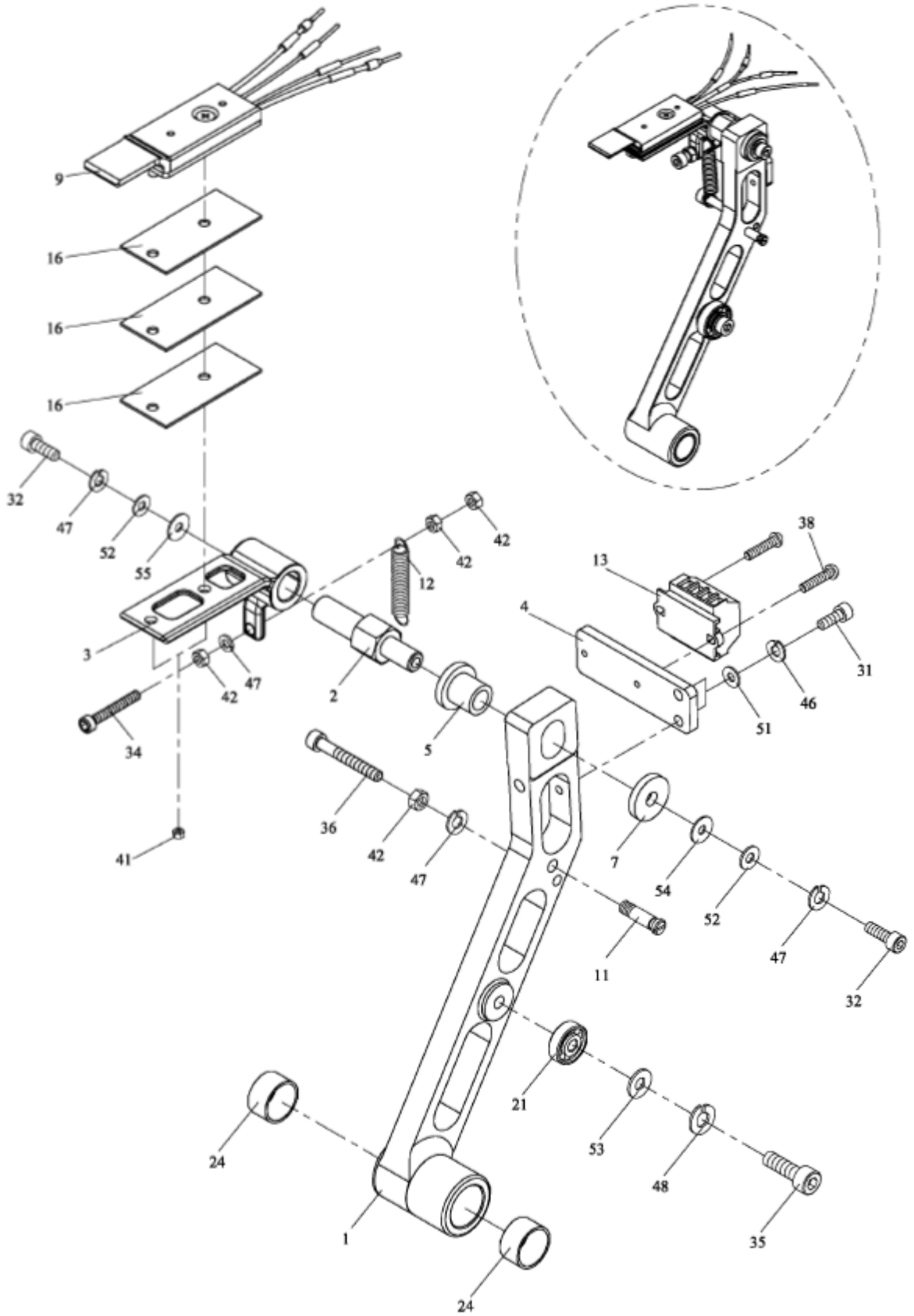
REF. NO.	PART NO.	DESCRIPTION	Q'TY	POLYCHEM PART #
	M7-1-130002	Slide Table Frame Ass'y (For TP-702P, 5-6mm)	1	191595
	M7-1-130030	Slide Table Frame Ass'y (For TP-702P, 9mm)	1	191637
	M7-1-130012	Slide Table Frame Ass'y (For TP-702RS, 5-6mm)	1	X
	M7-1-130020	Slide Table Frame Ass'y (For TP-702RS, 9mm)	1	191666
1	M7-1-131102	Slide Table Frame	1	191543
2	M7-1-131200	Shaft	1	X
3	M7-1-131301	Switch Lever (For TP-702P)	1	191542
	M7-1-131311	Switch Lever (For TP-702RS)	1	191621
4	M7-1-131400	Sensor Plate (For TP-702P)	1	191528
	M7-1-131410	Sensor Plate (For TP-702RS)	1	191706
5	M7-1-131500	Spring Base (For TP-702P)	1	191545
	M7-1-131510	Spring Base (For TP-702RS)	1	X
6	M7-1-131600	Slide Table (For TP-702P)	1	191490
	M7-1-131610	Slide Table (For TP-702RS)	1	191624
	M7-1-131600S	Slide Table (Stainless Steel Model) (For TP-702P)(Option)	1	191721
7	M7-1-131700	Spring Hook	1	X
10	MSP-C-0607700	Spring (For 5-6mm)	1	191574
	MSP-C-0808100	Spring (For 9mm)	1	191573
11	T7-1-10140	Spring	1	191492
12	MWA-A-0610020S	Washer (SUS)	2	191640
16	BR6202ZZ	Bearing, 6202ZZ	1	191283
18	ER04	Snap Ring, E-4	1	191505
19	MB0608	Metal Bushing, 0608	2	191659
20	MB1515	Metal Bushing, 1515	2	191507
24	HB0612	HB, M6×12	1	205333
27	HBS0306N	HBS, M3×6 (N)	2	191589
28	HBS0512N	HBS, M5×12 (N)	2	190848
29	HBS0616N	HBS, M6×16 (N)	4	191544
36	HN06	HN, M6	1	191611
41	SW03	SW, M3	2	191590
42	SW05	SW, M5	2	191577
43	SW06	SW, M6	6	191562
46	PW06C	PW, M6 (C)	1	191561

1-1-4

HEATER ARM ASS'Y

M7-1-140000

M7-1-140010



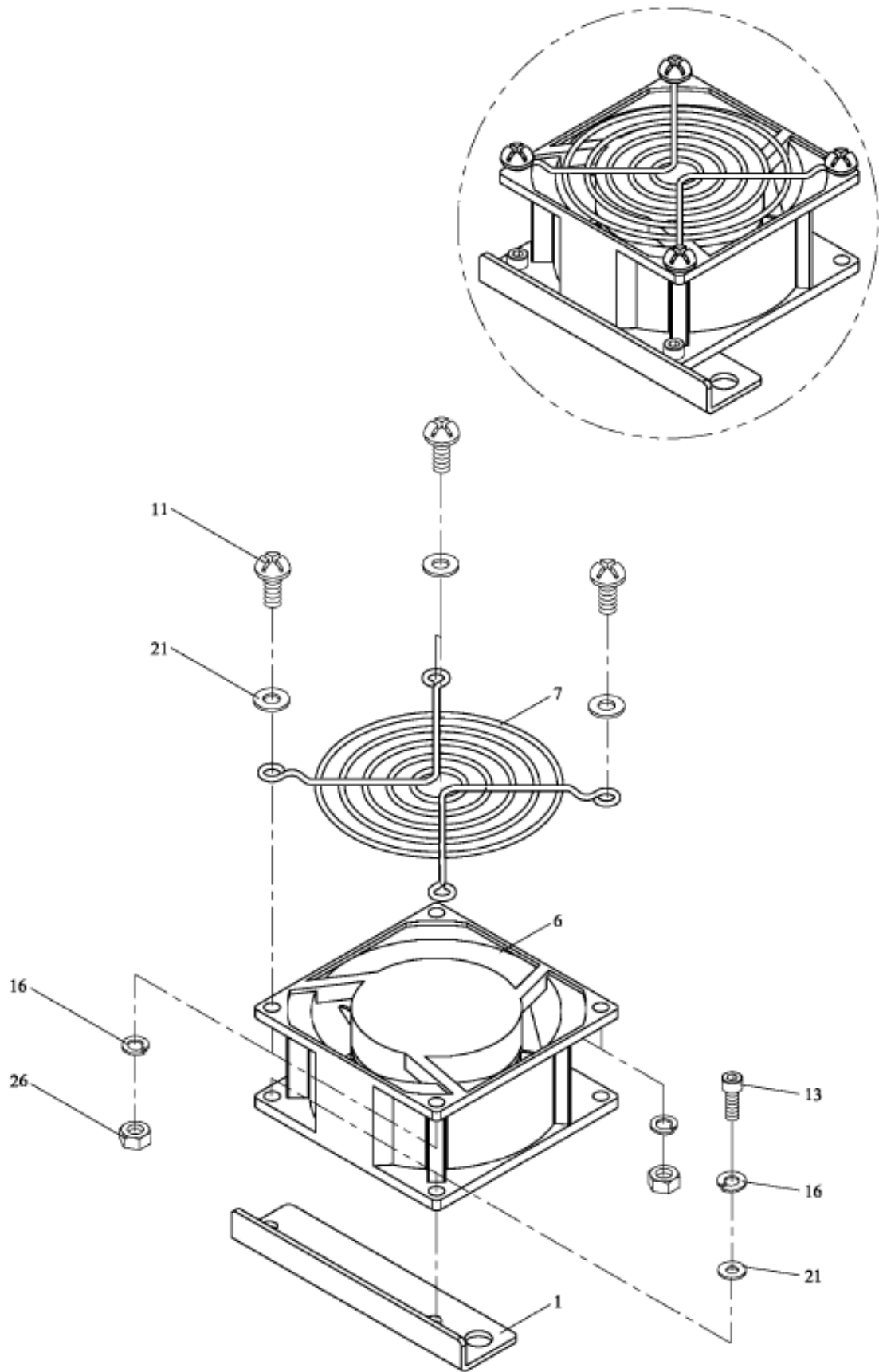
1-1-4

HEATER ARM ASS'Y

M7-1-140000

M7-1-140010

REF. NO.	PART NO.	DESCRIPTION	Q'TY	POLYCHEM PART #
	M7-1-140000	Heater Arm Ass'y (For TP-702P)	1	X
	M7-1-140010	Heater Arm Ass'y (For TP-702RS)	1	X
1	M7-1-141100	Heater Crank	1	X
2	M7-1-141200	Heater Shaft	1	198854
	M7-1-141200S	Heater Shaft (Stainless Steel Model)(Option)	1	X
3	M7-1-141300	Heater Bracket	1	202387
	M7-1-141300S	Heater Bracket (Stainless Steel Model)(Option)	1	X
4	M7-1-141400	Terminal Bracket	1	191731
5	M7-1-141500	Isolator	1	191593
7	WA-030501	Washer (φ5.5×φ18 t=3)	1	198855
9	M7-1-140101	Heater Set (For TP-702P)	1	191476
	M7-1-140111	Heater Set (For TP-702RS)	1	191597
11	TA-073	Spring Hook	1	191747
12	TB-115	Spring	1	191515
13	T5-1-12451	Heater Terminal	1	191732
16	T7-1-12412	Heater-Insulation	3	191499
21	BR636ZZ	Bearing, 636ZZ	1	191690
24	MB1515	Metal Bushing, 1515	2	191507
31	HBS0412N	HBS, M4×12 (N)	2	191682
32	HBS0516N	HBS, M5×16 (N)	2	X
34	HBS0530N	HBS, M5×30 (N)	1	X
35	HBS0620N	HBS, M6×20 (N)	1	191726
36	HBS0540HN	HBS, M5×40 (H)(N)	1	X
38	PMS0310	PMS, M3×10	2	191802
41	HN04S	HN, M4 (SUS)	2	205397
42	HN05	HN, M5	4	187478
47	SW05	SW, M5	4	191577
48	SW06	SW, M6	1	191562
51	PW04	PW, M4	2	187428
52	PW05	PW, M5	2	191578
53	PW06A	PW, M6 (A)	1	191612
54	PW06C	PW, M6 (C)	1	191561
55	PW06CS	PW, M6 (C)(SUS)	1	205534



1-1-5**EXHAUST FAN ASS'Y****M7-1-150000**

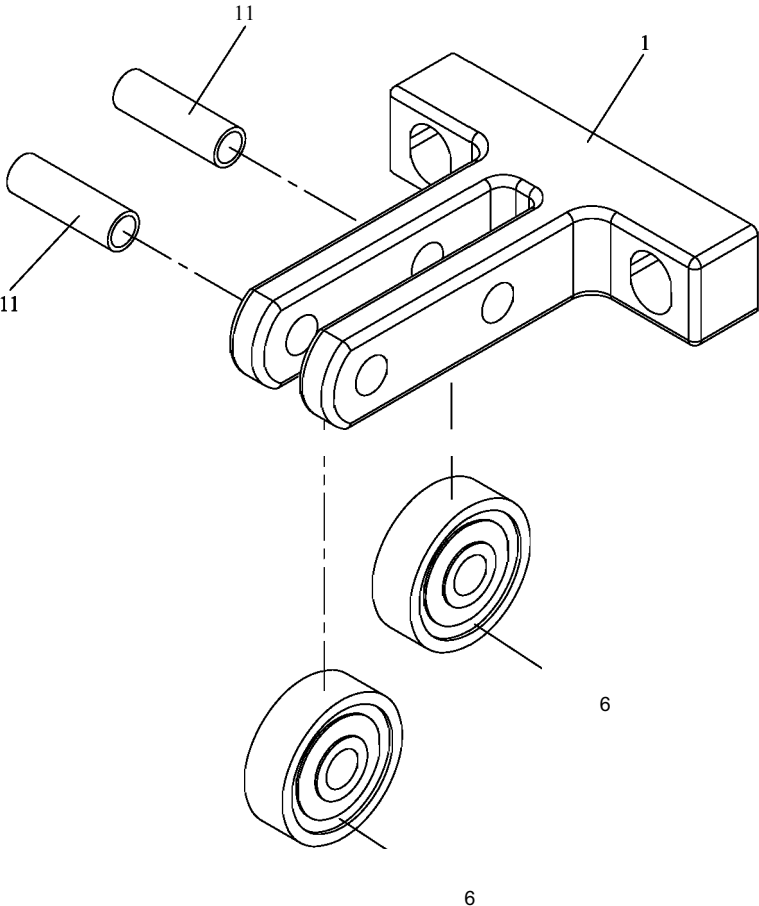
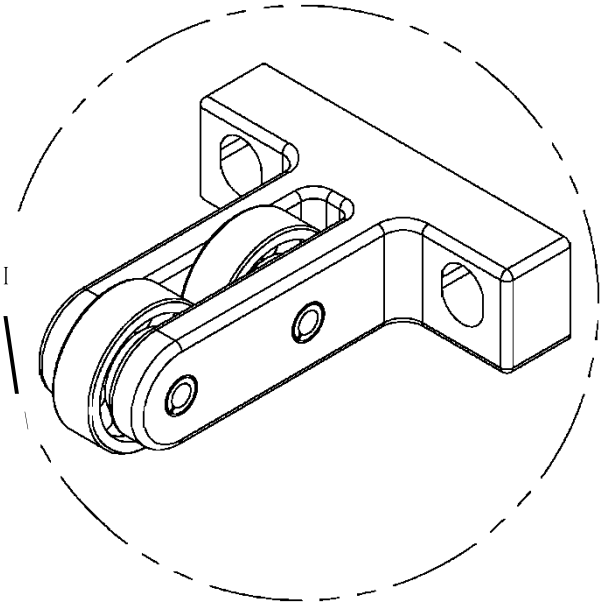
REF. NO.	PART NO.	DESCRIPTION	Q'TY	POLYCHEM PART #
1	M7-1-151100	Fan Bracket	1	X
6	T5-1-12370	Fan	1	191765
7	T7-6-10930	Fan Cover	1	204021
11	TMS0412N	TMS, M4×12 (N)	4	205989
13	HBS0410N	HBS, M4×10 (N)	2	
16	SW04	SW, M4	6	X
21	PW04	PW, M4	6	187428
26	HN04	HN, M4	4	191604

1-1-6

BLOCKASS'Y

T7-1-16000

T7-1-70030



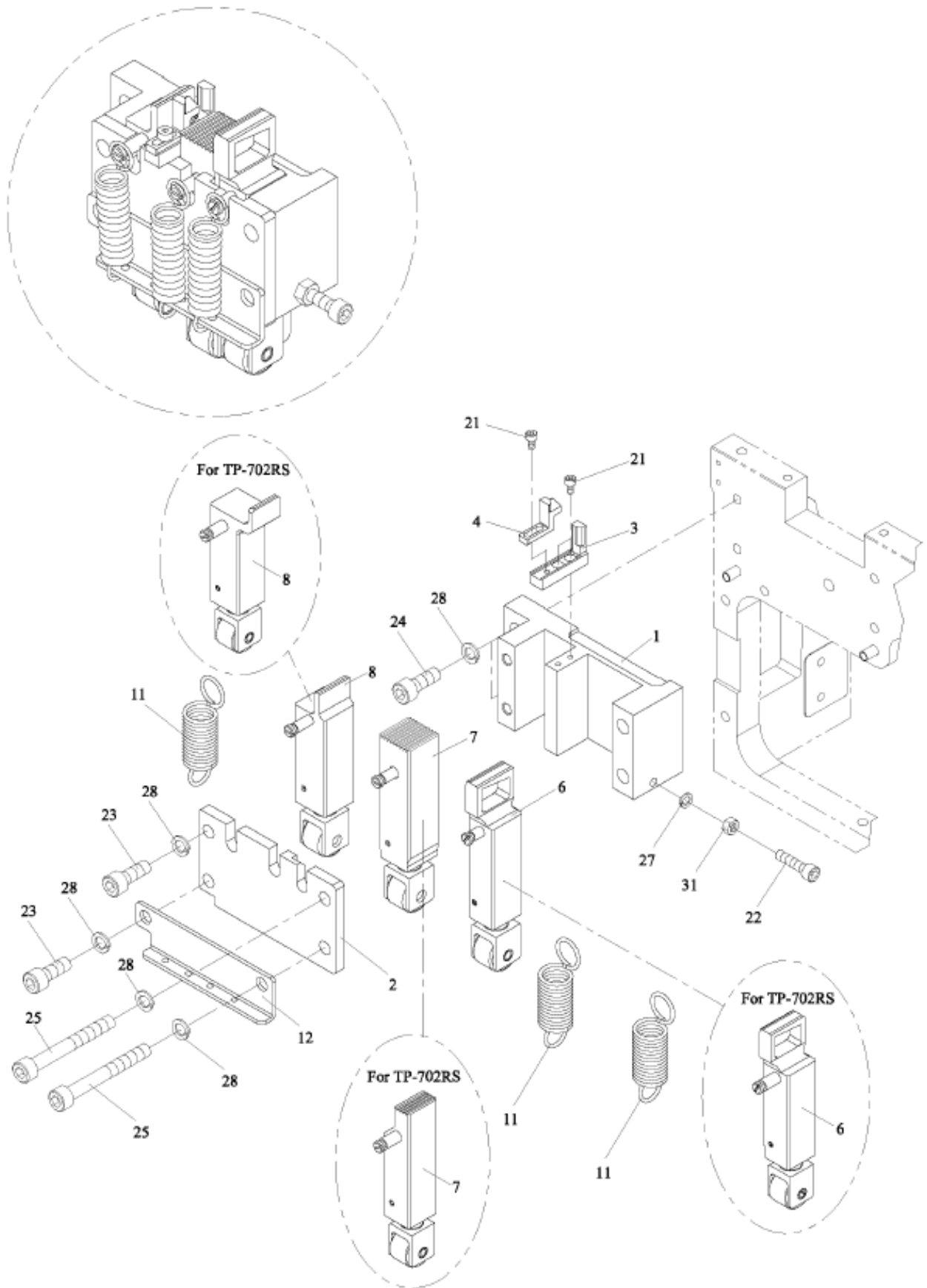
1-1-6

BLOCK ASS'Y

T7-1-16000

T7-1-70030

REF. NO.	PART NO.	DESCRIPTION	Q'TY	POLYCHEM PART #
1	T7-1-16000	Block Ass'y (For TP-702P)	1	X
	T7-1-70030	Block Ass'y (For TP-702RS)	1	X
	T7-1-10890	Block (For TP-702P)	1	X
	T7-1-70251	Block (For TP-702RS)	1	X
6	BR635ZZ	Bearing, 635ZZ	2	187778
11	SP0516	Spring Pin, 5×16	2	205337



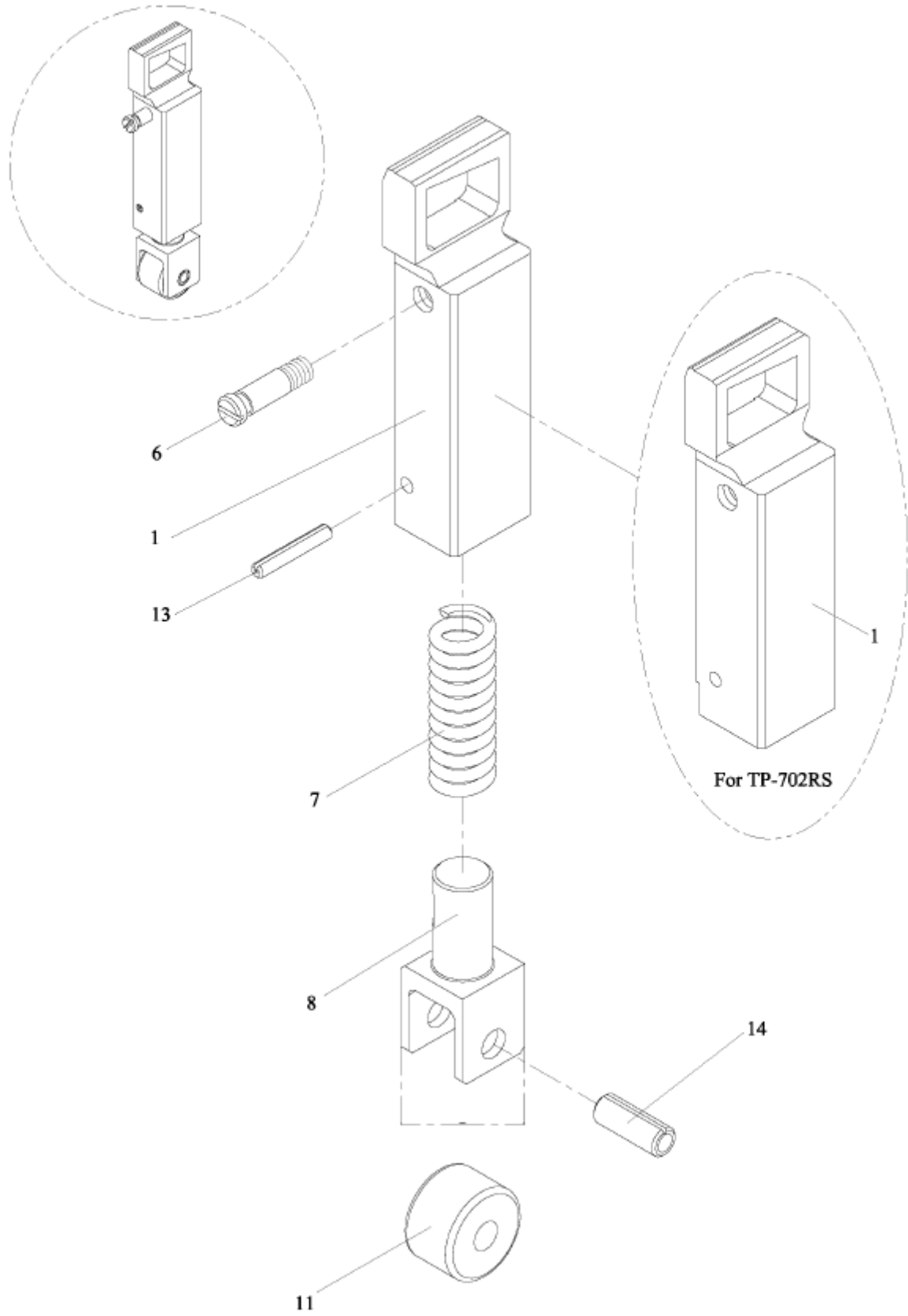
1-2

BAR GUIDE GROUP

M7-1-200000

M7-1-200010

REF. NO.	PART NO.	DESCRIPTION	Q'TY	POLYCHEM PART #
	M7-1-200000	Bar Guide Group (For TP-702P)	1	191709
	M7-1-200010	Bar Guide Group (For TP-702RS)	1	191743
1	M7-1-201100	Bar Guide (For TP-702P)	1	191527
	M7-1-201110	Bar Guide (For TP-702RS)	1	X
2	M7-1-201200	Bar Guide Lid	1	191724
	M7-1-201200S	Bar Guide Lid (Stainless Steel Model)(Option)	1	191550
3	M7-1-201300	Cutter Holder (Only TP-702P)	1	191626
	M7-1-201300EN	Cutter Holder (Stainless Steel Model) (Only TP-702P)(Option)	1	191549
4	M7-1-201400	Strap Guide (Only TP-702P)	1	191512
	M7-1-201400EN	Strap Guide (Stainless Steel Model) (Only TP-702P)(Option)	1	191657
6	M7-1-210001	Front Bar Ass'y (For TP-702P)	1	(SEE PG.C21) 191477
	M7-1-210001S	Front Bar Ass'y (Stainless Steel Model) (For TP-702P)(Option)	1	191614
	M7-1-210011	Front Bar Ass'y (For TP-702RS)	1	191622
7	M7-1-220000	Press Bar Ass'y (For TP-702P)	1	(SEE PG. C23)191478
	M7-1-220000S	Press Bar Ass'y (Stainless Steel Model) (For TP-702P)(Option)	1	191615
	M7-1-220010	Press Bar Ass'y (For TP-702RS)	1	191623
8	M7-1-230000	Rear Bar Ass'y (For TP-702P)	1	(SEE PG. C25) 191525
	M7-1-230000S	Rear Bar Ass'y (Stainless Steel Model) (For TP-702P)(Option)	1	191616
	M7-1-230010	Rear Bar Ass'y (For TP-702RS)	1	191677
11	TA-071	Return Spring	3	191479
12	T7-1-10180	Spring Hook	1	191725
13	T7-1-70230	Cutter Holder (Only TP-702RS)	1	202913
20	HBS0312N	HBS, M3×12 (N)(Only TP-702RS)	2	X
21	HBS0308N	HBS, M3×8 (N)(Only TP-702P)	3	191497
22	HBS0520N	HBS, M5×20 (N)	1	191665
23	HBS0616N	HBS, M6×16 (N)	2	191544
24	HBS0620N	HBS, M6×20 (N)	2	191726
25	HBS0650HN	HBS, M6×50 (H)(N)	2	191727
26	SW03	SW, M3 (Only TP-702RS)	2	191590
27	SW05	SW, M5	1	191577
28	SW06	SW, M6	6	191562
31	HN05	HN, M5	1	187478



1-2-1

FRONT BAR ASS'Y

M7-1-210001

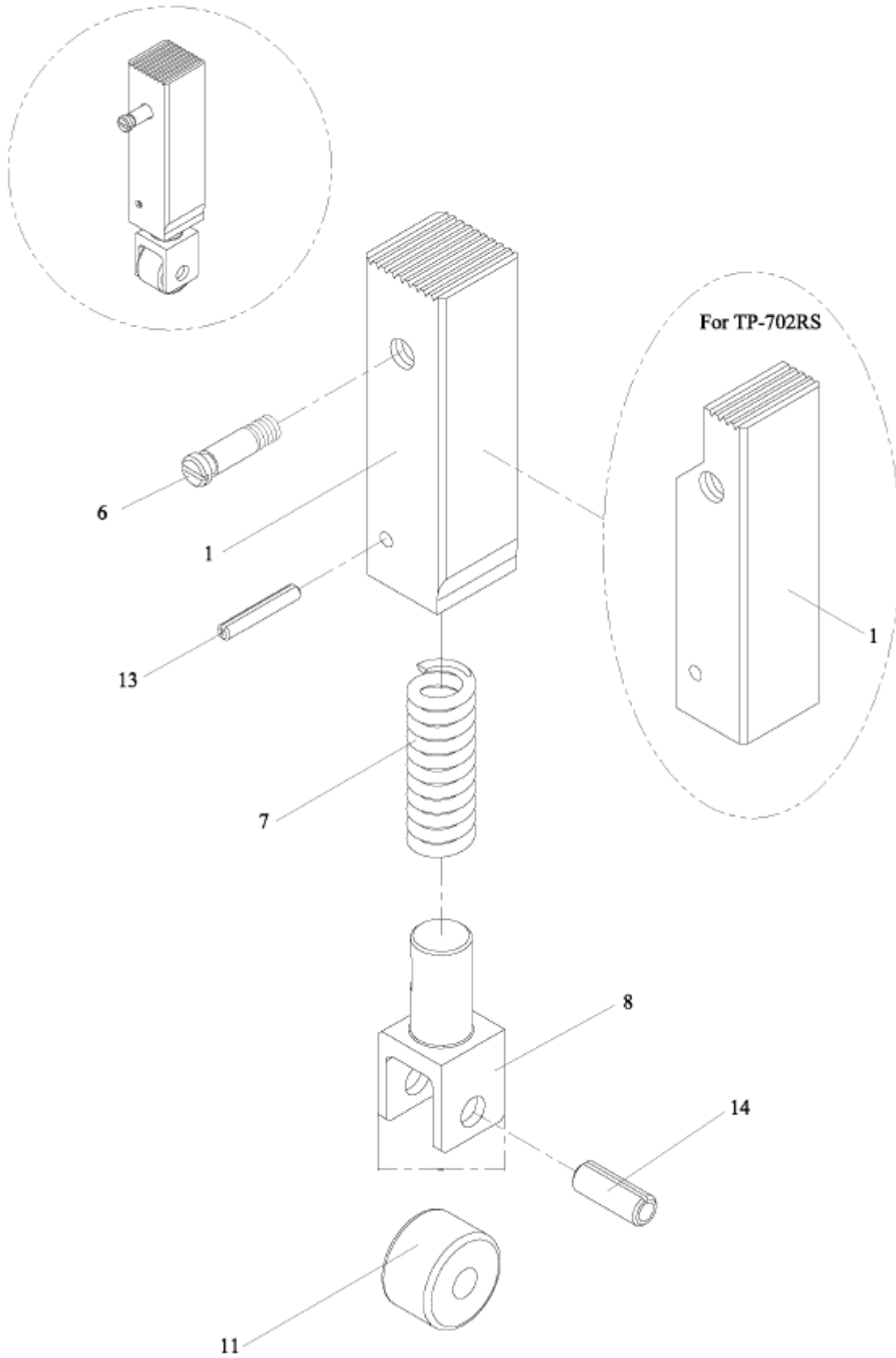
M7-1-210011

REF. NO.	PART NO.	DESCRIPTION	Q'TY	POLYCHEM PART #
	M7-1-210001	Front Bar Ass'y (For TP-702P)	1	191477
	M7-1-210001S	Front Bar Ass'y (Stainless Steel Model) (For TP-702P)(Option)	1	191614
1	M7-1-210011	Front Bar Ass'y (For TP-702RS)	1	191622
	M7-1-211101	Front Bar (For TP-702P)	1	191602
	M7-1-211101S	Front Bar (Stainless Steel Model) (For TP-702P)(Option)	1	X
	M7-1-211111	Front Bar (For TP-702RS)	1	205995
6	TA-073	Spring Hook	1	191747
7	TA-078	Spring	1	191516
8	T7-1-13121	Plunger	1	191654
11	BRNART6VR	Bearing, NART6VR	1	191644
13	SP0318	Spring Pin, 3×18	1	190797
14	SP0616	Spring Pin, 6×16	1	191698

1-2-2

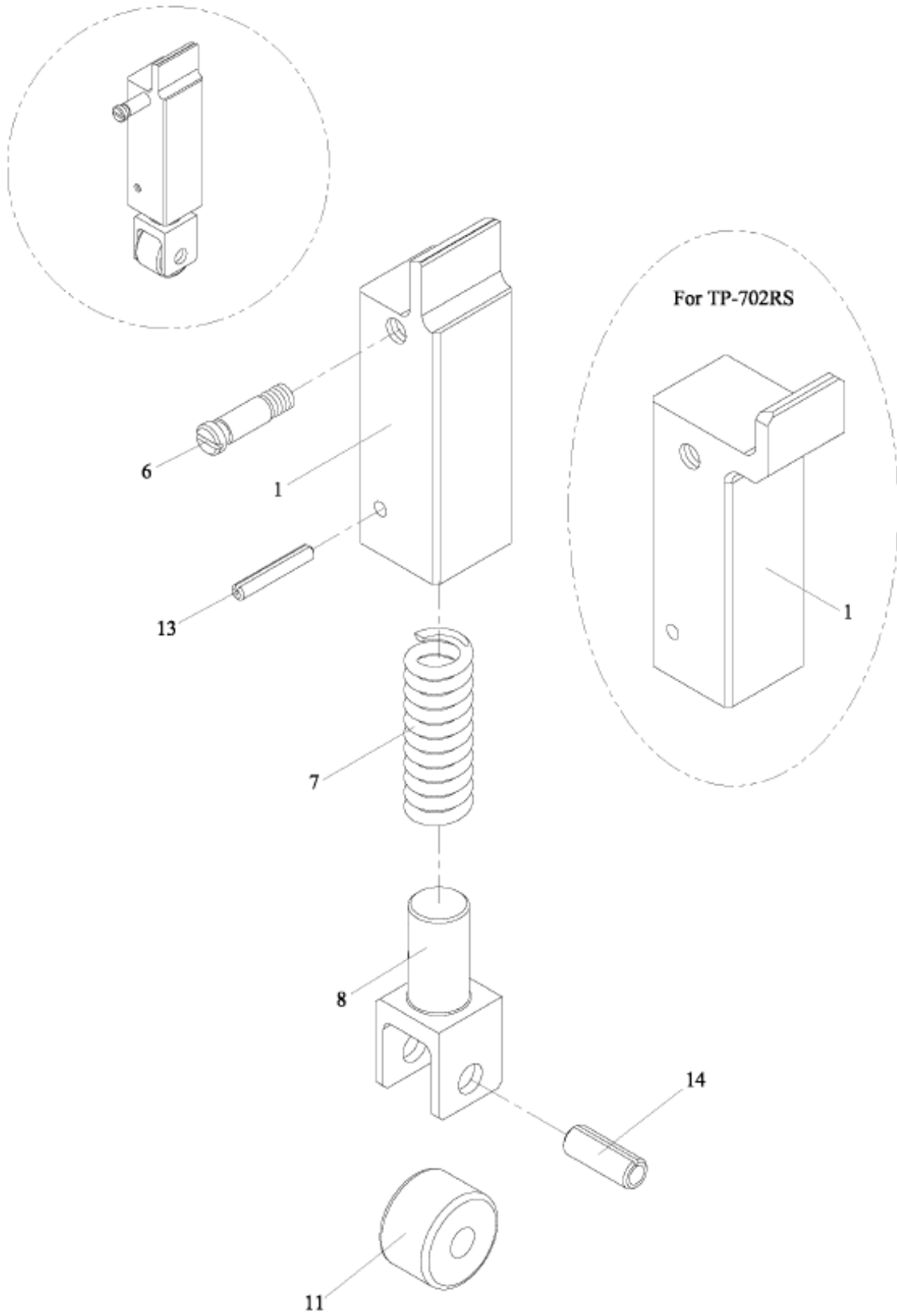
PRESS BAR ASS'Y

M7-1-220000



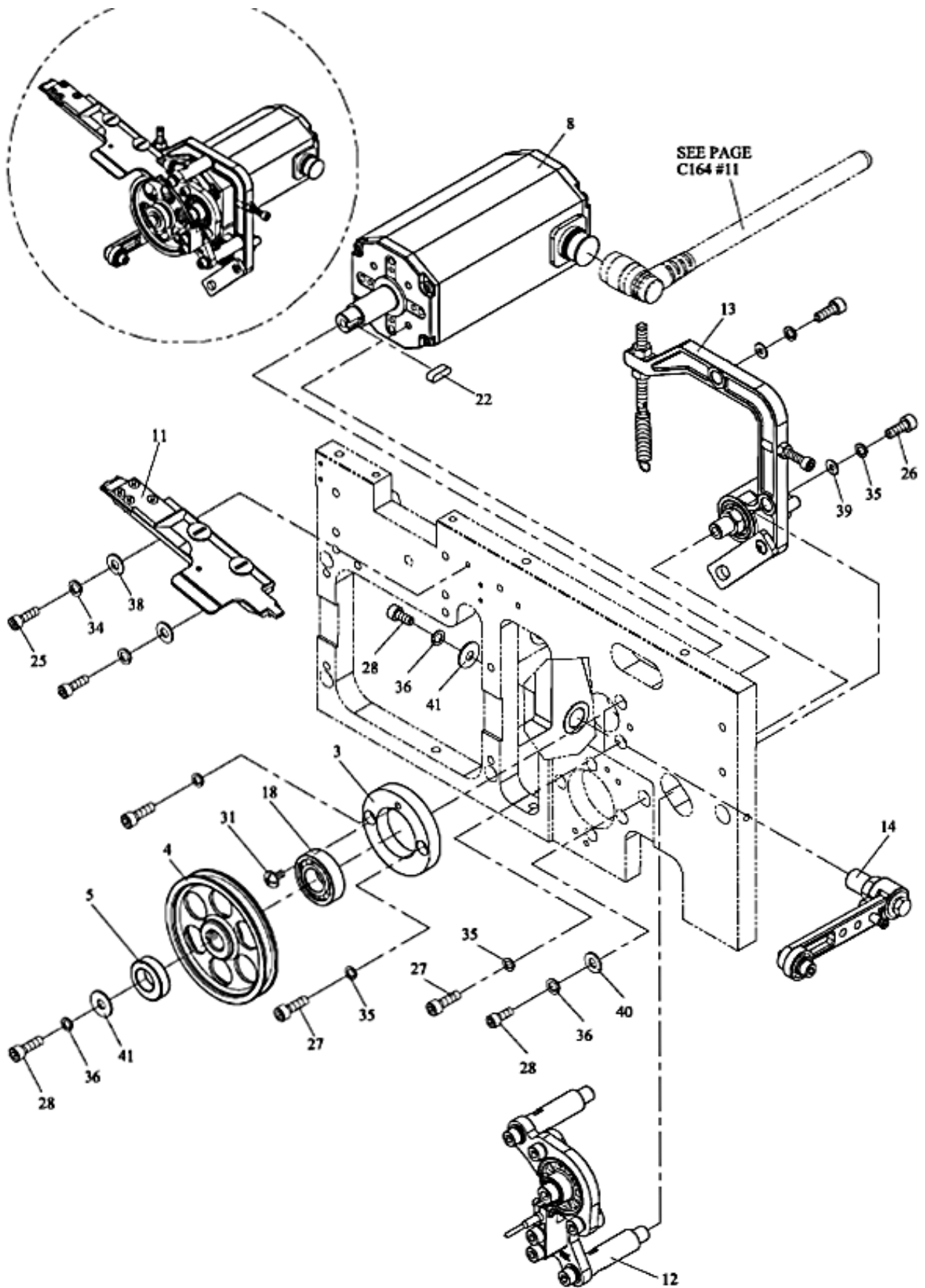
1-2-2**PRESS BAR ASS'Y****M7-1-220000****M7-1-220010**

REF. NO.	PART NO.	DESCRIPTION	Q'TY	POLYCHEM PART #
	M7-1-220000	Press Bar Ass'y (For TP-702P)	1	191478
	M7-1-220000S	Press Bar Ass'y (Stainless Steel Model) (For TP-702P)(Option)	1	191615
1	M7-1-220010	Press Bar Ass'y (For TP-702RS)	1	191623
	M7-1-221200	Press Bar (For TP-702P)	1	191633
	M7-1-221200S	Press Bar (Stainless Steel Model) (For TP-702P)(Option)	1	X
	M7-1-221210	Press Bar (For TP-702RS)	1	198848
6	TA-073	Spring Hook	1	191747
7	TA-078	Spring	1	191516
8	T7-1-13121	Plunger	1	191654
11	BRNART6VR	Bearing, NART6VR	1	191644
13	SP0318	Spring Pin, 3×18	1	190797
14	SP0616	Spring Pin, 6×16	1	191698



1-2-3**REAR BAR ASS'Y****M7-1-230000****M7-1-230010**

REF. NO.	PART NO.	DESCRIPTION	Q'TY	POLYCHEM PART #
1	M7-1-230000	Rear Bar Ass'y (For TP-702P)	1	191525
	M7-1-230000S	Rear Bar Ass'y (Stainless Steel Model) (For TP-702P)(Option)	1	191616
	M7-1-230010	Rear Bar Ass'y (For TP-702RS)	1	191677
	M7-1-231100	Rear Bar (For TP-702P)	1	191685
	M7-1-231100S	Rear Bar (Stainless Steel Model) (For TP-702P)(Option)	1	X
	M7-1-231110	Rear Bar (For TP-702RS)	1	X
6	TA-073	Spring Hook	1	191747
7	TA-078	Spring	1	191516
8	T7-1-13121	Plunger	1	191654
11	BRNART6VR	Bearing, NART6VR	1	191644
13	SP0318	Spring Pin, 3×18	1	190797
14	SP0616	Spring Pin, 6×16	1	191698



1-3

FEED GROUP

M7-1-300002

M7-1-300012

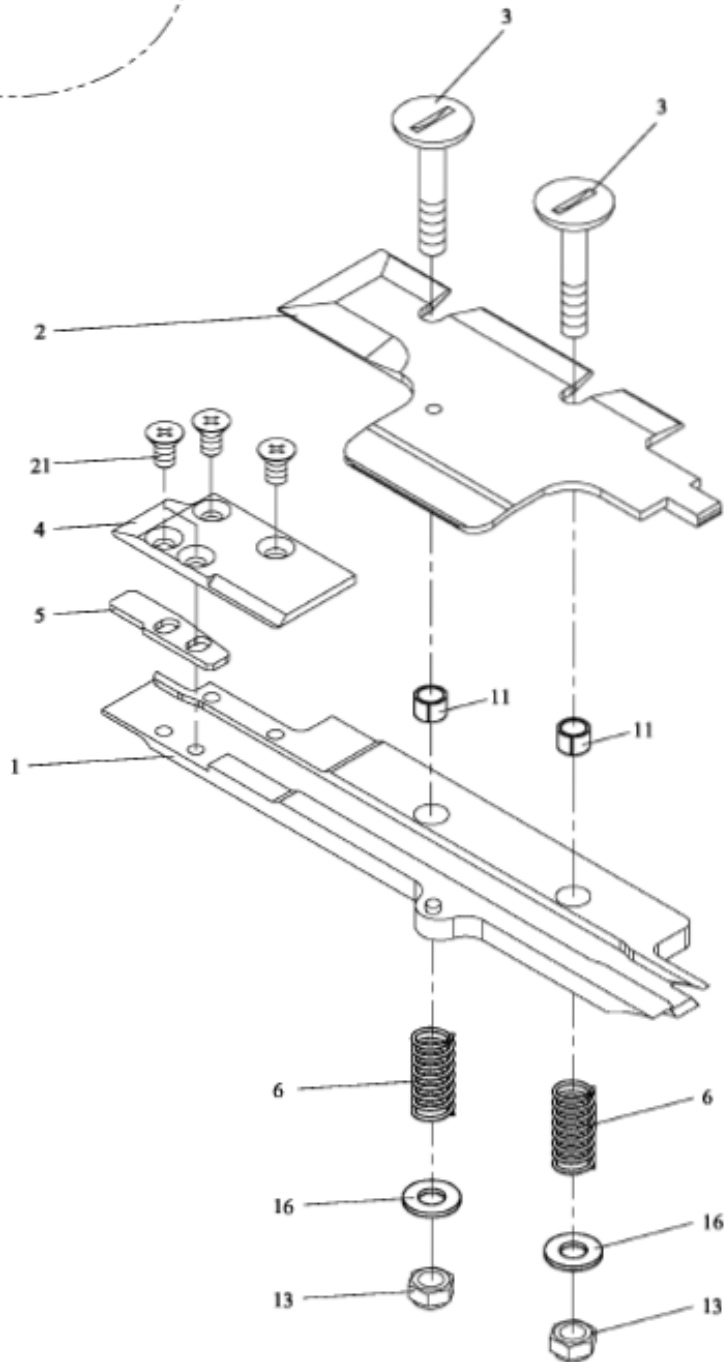
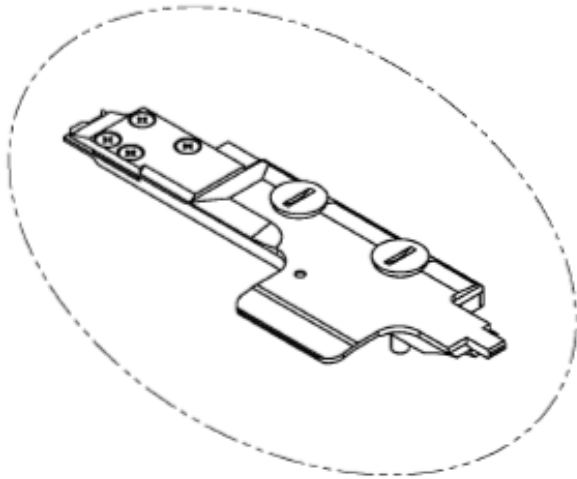
REF. NO.	PART NO.	DESCRIPTION	Q'TY	POLYCHEM PART #
	M7-1-300002	Feed Group (For TP-702P, 5-6mm)	1	X
	M7-1-300012	Feed Group (For TP-702P, 9mm)	1	X
	M7-1-300031	Feed Group (For TP-702RS, 5-6mm)	1	X
	M7-1-300041	Feed Group (For TP-702RS, 9mm)	1	X
3	M7-1-301300	Bearing Housing	1	191824
4	M7-1-301400	Guide Wheel (For 5-6mm)	1	191628
	M7-1-301410	Guide Wheel (For 9mm)	1	191627
5	M7-1-301500	Spacer (For 5-6mm)	1	191647
	M7-1-301510	Spacer (For 9mm)	1	191764
8	M7-1-300100	Feeding Motor (M2) Set	1	191536
11	M7-1-310001	Upper Guide Ass'y (For TP-702P, 5-6mm)	1	X SEE PAGE C29
	M7-1-310001S	Upper Guide Ass'y (Stainless Steel Model) (For TP-702P, 5-6mm)(Option)	1	X
	M7-1-310011	Upper Guide Ass'y (For TP-702P, 9mm)	1	203652
	M7-1-310011S	Upper Guide Ass'y (Stainless Steel Model) (For TP-702P, 9mm)(Option)	1	205393
	M7-1-310030	Upper Guide Ass'y (For TP-702RS, 5-6mm)	1	X
	M7-1-310040	Upper Guide Ass'y (For TP-702RS, 9mm)	1	191728
	M7-1-320001	Assistant Roller Ass'y (For 5-6mm)	1	X SEE PAGE C31
	M7-1-320011	Assistant Roller Ass'y (For 9mm)	1	205297
12	M7-1-330000	Feeding Arm Ass'y	1	(SEE PG. C33) 191823
13				
14	M7-1-340000	Retracting Arm Ass'y	1	X SEE PAGE C35
18	BR6002ZZ	Bearing, 6002ZZ	1	187782
22	KYA040415	Key, 4×4×15	1	204624
25	HBS0412N	HBS, M4×12 (N)	2	191682
26	HBS0512N	HBS, M5×12 (N)	2	190848
27	HBS0516N	HBS, M5×16 (N)	6	191700
28	HBS0612N	HBS, M6×12 (N)	3	191563
31	TMS0508N	TMS, M5×8 (N)	1	191830
34	SW04	SW, M4	2	X
35	SW05	SW, M5	8	191577
36	SW06	SW, M6	3	191562
38	PW04	PW, M4	2	187428
39	PW05	PW, M5	2	191578
40	PW06A	PW, M6 (A)	1	191612
41	PW06C	PW, M6 (C)	2	191561

1-3-1

UPPER GUIDE ASS'Y

M7-1-310001

M7-1-310011



1-3-1**UPPER GUIDE ASS'Y****M7-1-310001****M7-1-310011**

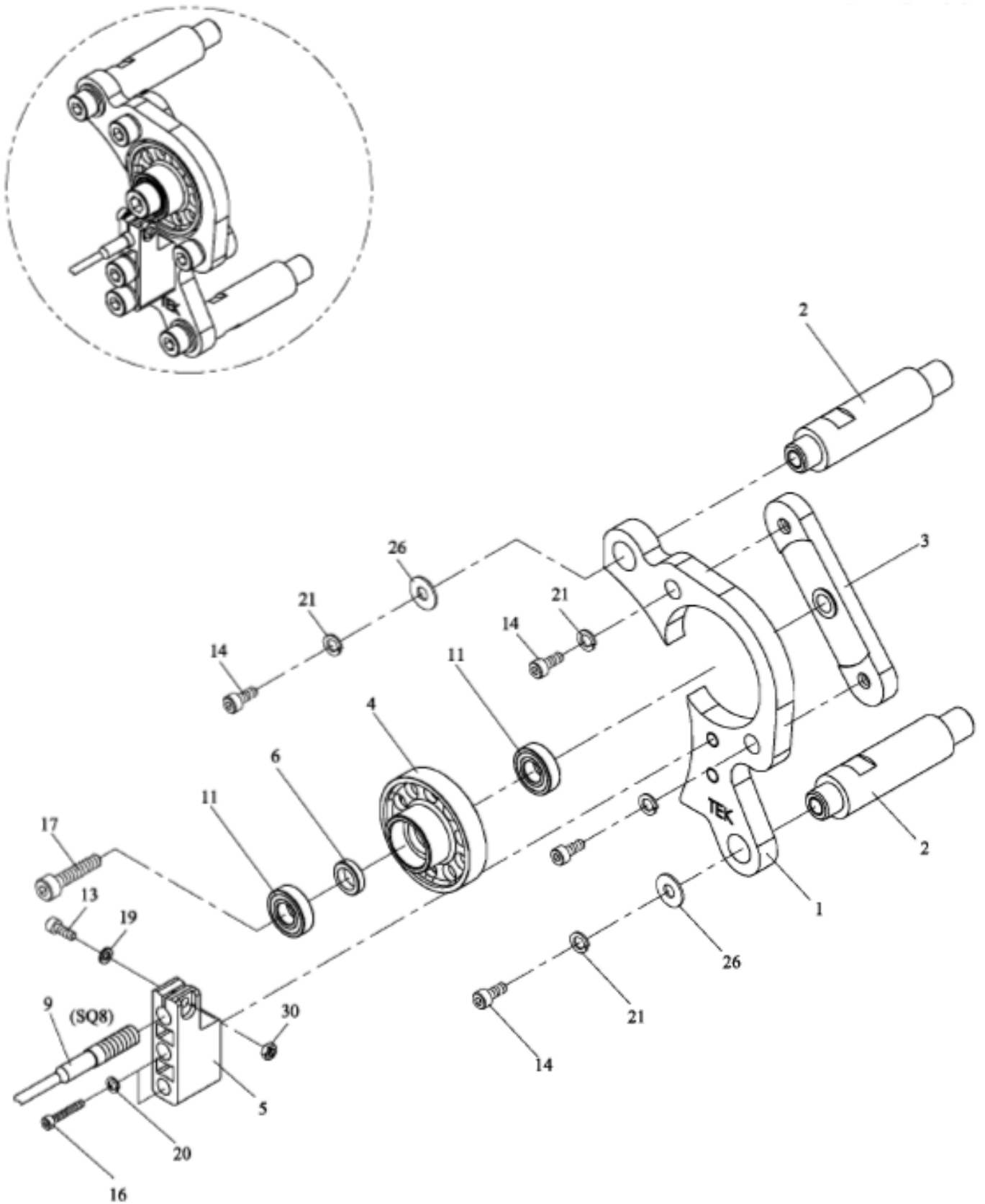
REF. NO.	PART NO.	DESCRIPTION	Q'TY	POLYCHEM PART #
	M7-1-310001	Upper Guide Ass'y (For TP-702P, 5-6mm)	1	X
	M7-1-310001S	Upper Guide Ass'y (Stainless Steel Model) (For TP-702P, 5-6mm)(Option)	1	X
	M7-1-310011	Upper Guide Ass'y (For TP-702P, 9mm)	1	203652
	M7-1-310011S	Upper Guide Ass'y (Stainless Steel Model) (For TP-702P, 9mm)(Option)	1	205393
	M7-1-310030	Upper Guide Ass'y (For TP-702RS, 5-6mm)	1	X
	M7-1-310040	Upper Guide Ass'y (For TP-702RS, 9mm)	1	191728
1	M7-1-311103	Upper Guide (For TP-702P, 5-6mm)	1	191730
	M7-1-311103EN	Upper Guide (Stainless Steel Model) (For TP-702P, 5-6 mm)(Option)	1	X
	M7-1-311113	Upper Guide (For TP-702P, 9 mm)	1	191705
	M7-1-311113EN	Upper Guide (Stainless Steel Model) (For TP-702P, 9 mm)(Option)	1	X
	M7-1-311130	Upper Guide (For TP-702RS, 5-6mm)	1	X
	M7-1-311140	Upper Guide (For TP-702RS, 9mm)	1	X
2	M7-1-311201	Cover (For 5-6mm)	1	191708
	M7-1-311211	Cover (For 9mm)	1	191551
3	M7-1-311300	Bolt	2	203604
	M7-1-311300S	Bolt (Stainless Steel Model)(Option)	2	X
4	M7-1-311402	Cover (For TP-702P, 5-6mm)	1	X
	M7-1-311402S	Cover (Stainless Steel Model) (For TP-702P, 5-6mm)(Option)	1	X
	M7-1-311420	Cover (For TP-702RS, 5-6mm)	1	X
5	M7-1-311500	Adjusting Plate (Only 5-6mm)	1	X
6	H44-10940	Spring	2	191650
11	MB0505	Metal Bushing, 0505	2	203607
13	NTE05	NTE, M5	2	191076
16	PW05	PW, M5	2	191578
21	FMS0408N	FMS, M4×8 (N)(Only 5-6mm)	4	X
	FMS0408S	FMS, M4×8 (Stainless Steel Model) (Only 5-6mm)(Option)	4	X

1-3-2

ASSISTANT ROLLER ASS'Y

M7-1-320001

M7-1-320011



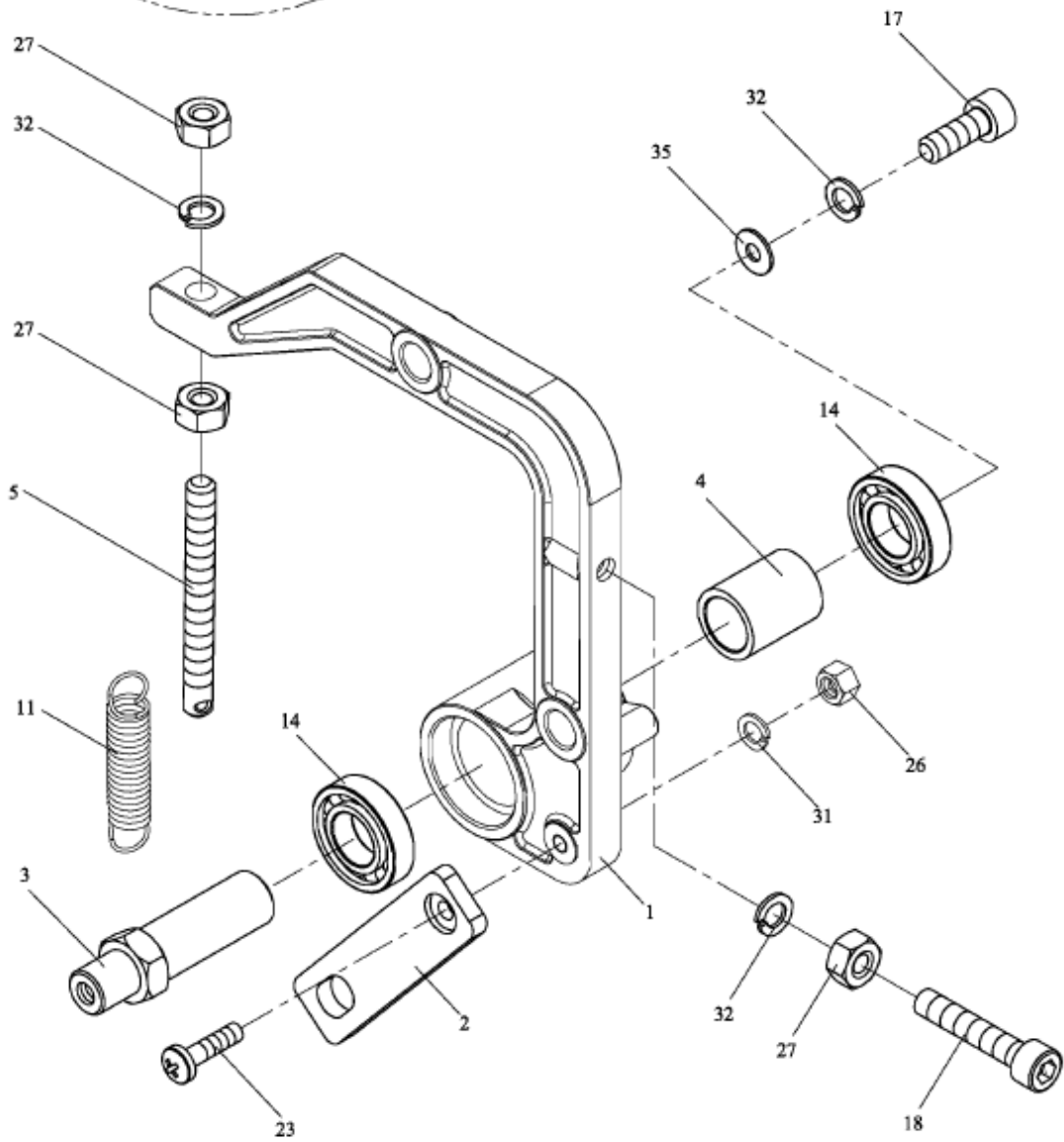
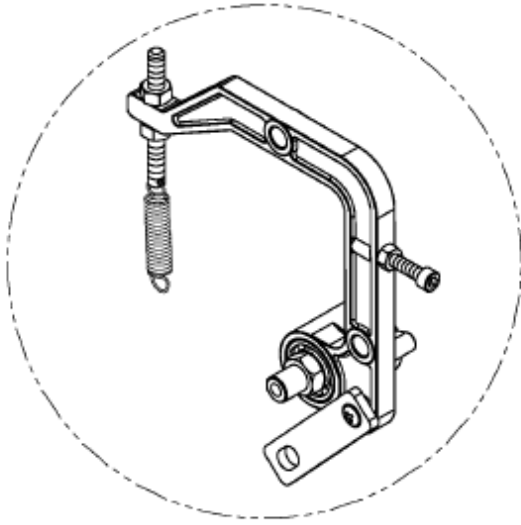
1-3-2

ASSISTANT ROLLER ASS'Y

M7-1-320001

M7-1-320011

REF. NO.	PART NO.	DESCRIPTION	Q'TY	POLYCHEM PART #
1	M7-1-320001	Assistant Roller Ass'y (For 5-6mm)	1	X
	M7-1-320011	Assistant Roller Ass'y (For 9mm)	1	205297
	M7-1-321100	Assistant Roller Bracket (For 5-6mm)	1	204237
	M7-1-321100EN	Assistant Roller Bracket (Stainless Steel Model)(For 5-6mm)(Option)	1	X
	M7-1-321110	Assistant Roller Bracket (For 9mm)	1	191859
	M7-1-321110EN	Assistant Roller Bracket (Stainless Steel Model)(For 9mm)(Option)	1	205332
2	M7-1-321200	Shaft	2	X
3	M7-1-321300	Assistant Roller Base	1	X
4	M7-1-321400	Assistant Roller (For 5-6mm)	1	191642
	M7-1-321410	Assistant Roller (For 9mm)	1	191773
5	M7-1-321501	SQ8 Sensor Base	1	205935
6	M7-1-321600	Spacer	1	191599
9	M7-6-301100	Proximity Switch (X20)(SQ8)	1	SEE PAGE C163
11	BR686ZZ	Bearing, 686ZZ	2	191598
13	HBS02.512N	HBS, M2.5×12 (N)	1	X
14	HBS0512N	HBS, M5×12 (N)	4	190848
16	HBS0425N	HBS, M4×25 (N)	2	X
17	HBS0620N	HBS, M6×20 (N)	1	191726
19	SW02.5	SW, M2.5	1	X
20	SW04	SW, M4	2	X
21	SW05	SW, M5	4	191577
26	PW05	PW, M5	2	191578
30	HN02.5	HN, M2.5	1	X

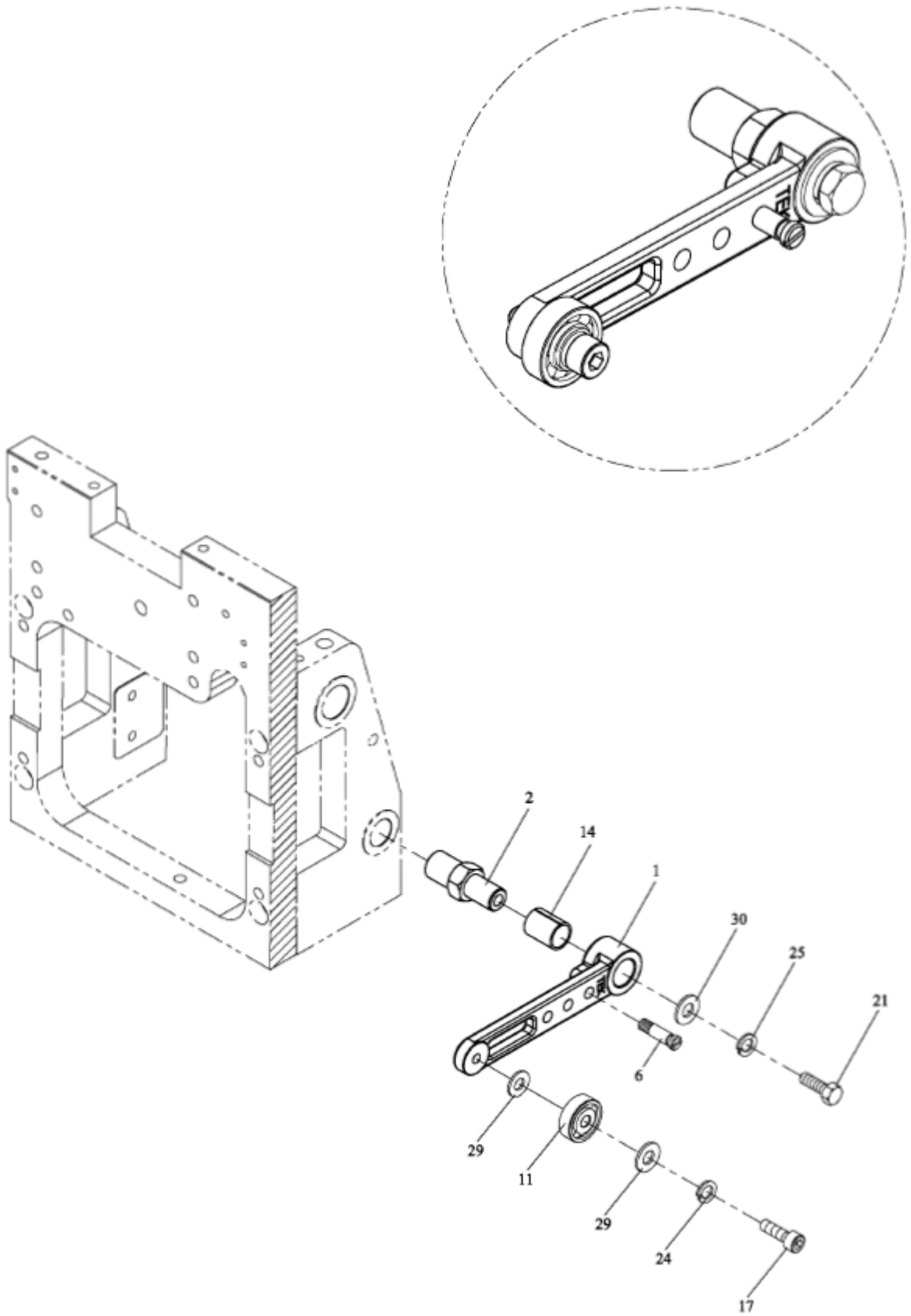


1-3-3

FEEDING ARM ASS'Y

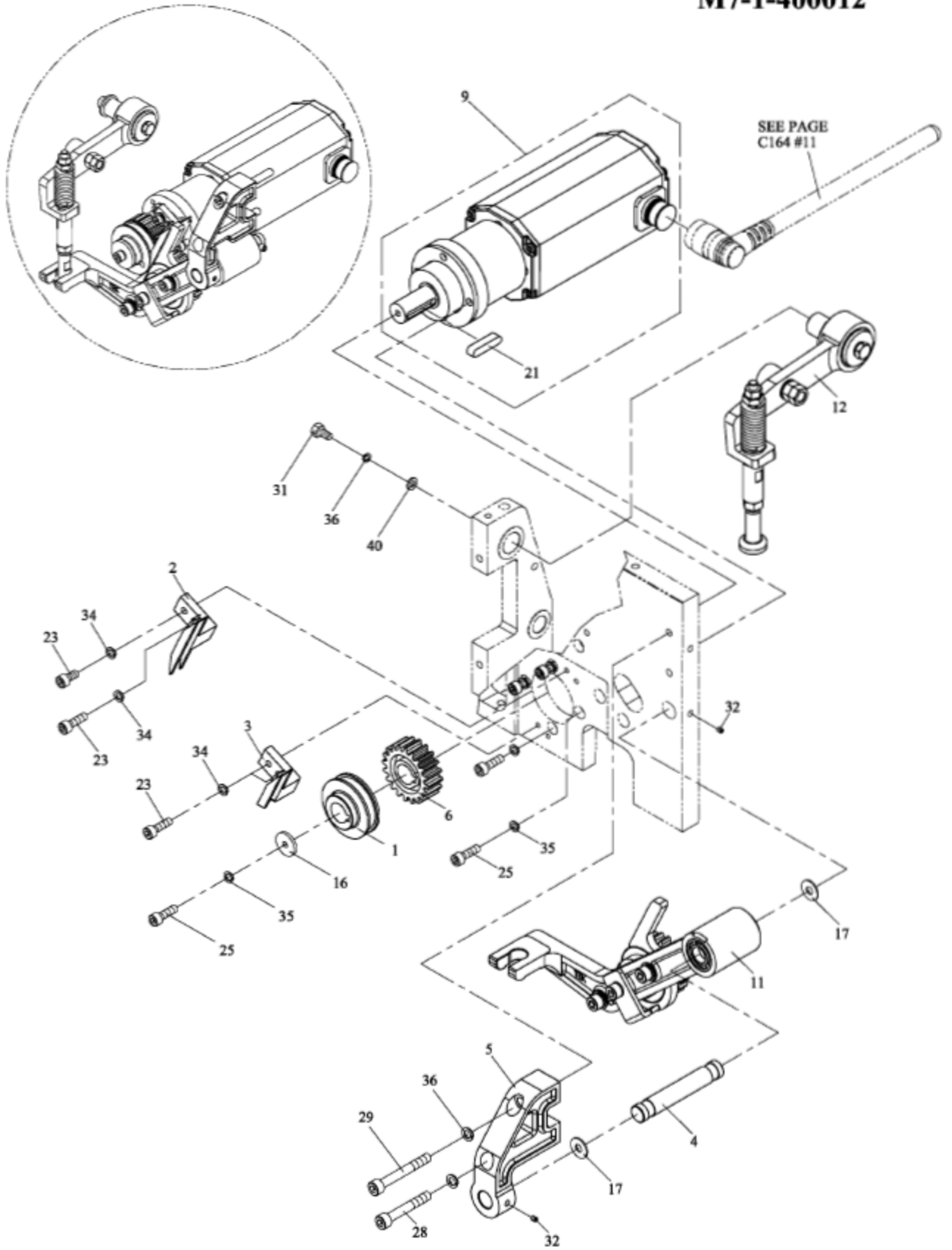
M7-1-330000

REF. NO.	PART NO.	DESCRIPTION	Q'TY	POLYCHEM PART #
1	M7-1-331100	Feeding Arm	1	X
2	M7-1-331200	Linkage	1	X
3	M7-1-331300	Shaft	1	X
4	M7-1-331400	Collar	1	X
5	M7-1-331500	Spring Hook	1	X
11	T7-1-64130	Return Spring	1	191488
14	BR6901ZZ	Bearing, 6901ZZ	2	198856
17	HBS0616N	HBS, M6×16 (N)	1	191544
18	HBS0640N	HBS, M6×40 (N)	1	188671
23	PMS0420	PMS, M4×20	1	187902
26	HN04	HN, M4	1	191604
27	HN06	HN, M6	3	191611
31	SW04	SW, M4	1	X
32	SW06	SW, M6	3	191562
35	PW06C	PW, M6 (C)	1	191561



1-3-4**RETRACTING ARM ASS'Y****M7-1-340000**

REF. NO.	PART NO.	DESCRIPTION	Q'TY	POLYCHEM PART #
1	M7-1-341100	Retracting Arm	1	X
2	M7-1-341200	Shaft	1	X
6	TA-073	Spring Hook	1	191747
11	BR635ZZ	Bearing, 635ZZ	1	187778
14	MB1015	Metal Bushing, 1015	1	X
17	HBS0516N	HBS, M5×16 (N)	1	191700
21	HB0612	HB, M6×12	1	205333
24	SW05	SW, M5	1	191577
25	SW06	SW, M6	1	191562
29	PW05	PW, M5	2	191578
30	PW06B	PW, M6 (B)	1	X



1-4

TENSION GROUP

M7-1-400002

M7-1-400012

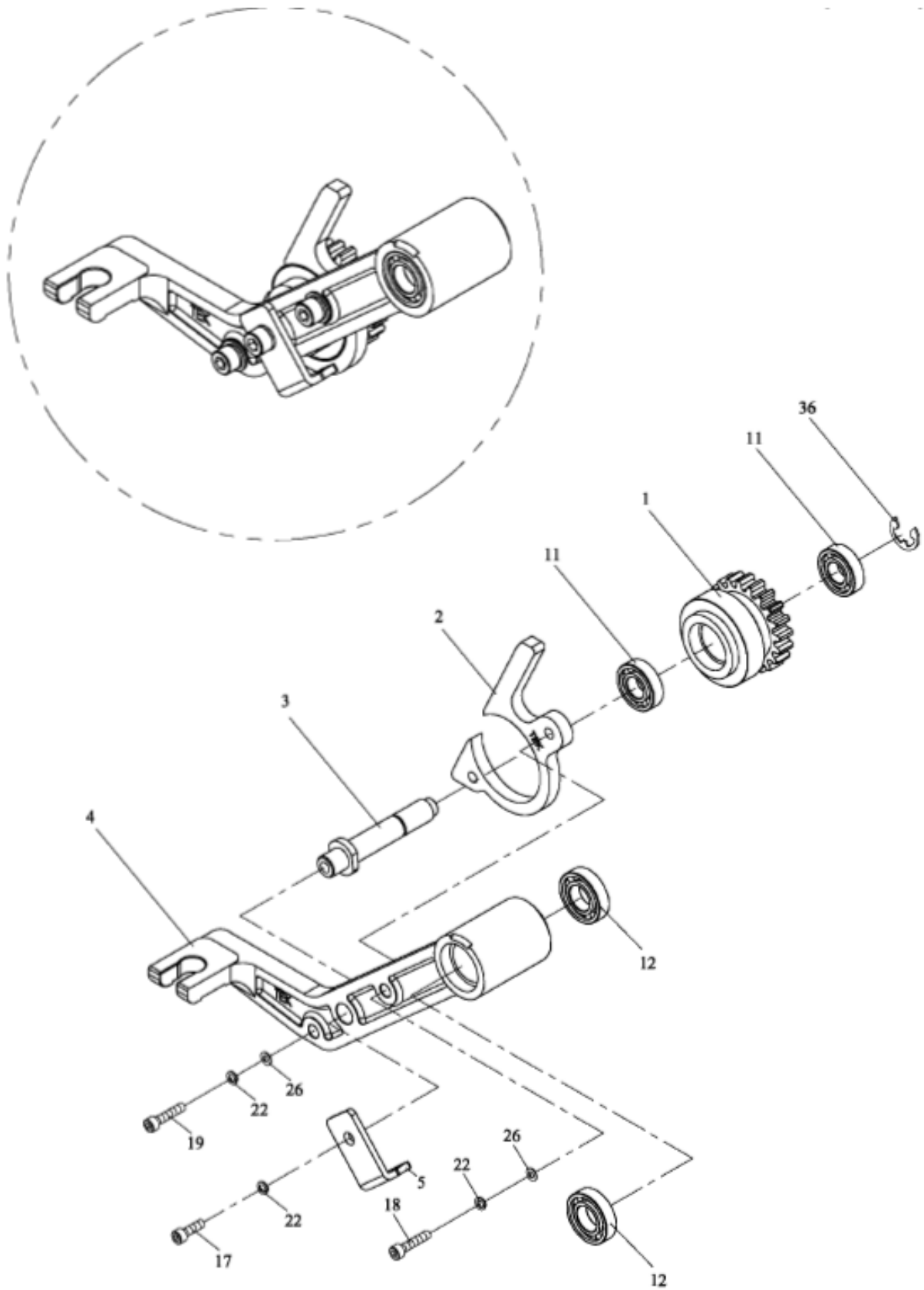
REF. NO.	PART NO.	DESCRIPTION	Q'TY	POLYCHEM PART #
	M7-1-400002	Tension Group (For 5-6mm)	1	X
	M7-1-400012	Tension Group (For 9mm)	1	204296
1	M7-1-401100	Tension Guide Wheel (For 5-6mm)	1	205489
	M7-1-401100S	Tension Guide Wheel (Stainless Steel Model) (For 5-6mm)(Option)	1	X
	M7-1-401110	Tension Guide Wheel (For 9mm)	1	X
	M7-1-401110S	Tension Guide Wheel (Stainless Steel Model) (For 9mm)(Option)	1	191798
2	M7-1-401200	Guide (For 5-6mm)	1	191630
	M7-1-401210	Guide (For 9mm)	1	191629
3	M7-1-401301	Tension Guide (For 5-6mm)	1	191631
	M7-1-401311	Tension Guide (For 9mm)	1	191632
4	M7-1-401400	Shaft	1	191818
5	M7-1-401500	Bracket	1	191819
6	M7-1-401600	Gear	1	191856
9	M7-1-301100	M3 Motor	1	191537
	M7-1-301110	M3 Motor (For 9mm, Tension 45kg)(Option)	1	191571
11	M7-1-410001	Tension Crank Ass'y (For 5-6mm)	1	X SEE PAGE C39
	M7-1-410011	Tension Crank Ass'y (For 9mm)	1	191831
12	M7-1-420001	Tension Arm Ass'y	1	(SEE PG.C41)205251
	M7-1-420011	Tension Arm Ass'y (For 9mm, Tension 45kg) (Option)	1	X
16	TB-223	Washer	1	X
17	AD-2-20181	Washer	2	191821
21	KYA050527	Key, 5×5×27	1	X
23	HBS0412N	HBS, M4×12 (N)	4	191682
25	HBS0516N	HBS, M5×16 (N)	5	191700
28	HBS0640HN	HBS, M6×40 (H)(N)	1	X
29	HBS0655HN	HBS, M6×55 (H)(N)	1	X
31	HB0612	HB, M6×12	1	205333
32	HSS0506GN	HSS, M5×6 (G)(N)	2	191584
34	SW04	SW, M4	4	X
35	SW05	SW, M5	5	191577
36	SW06	SW, M6	3	191562
40	PW06C	PW, M6 (C)	1	191561

1-4-1

TENSION CRANK ASS'Y

M7-1-410001

M7-1-410011



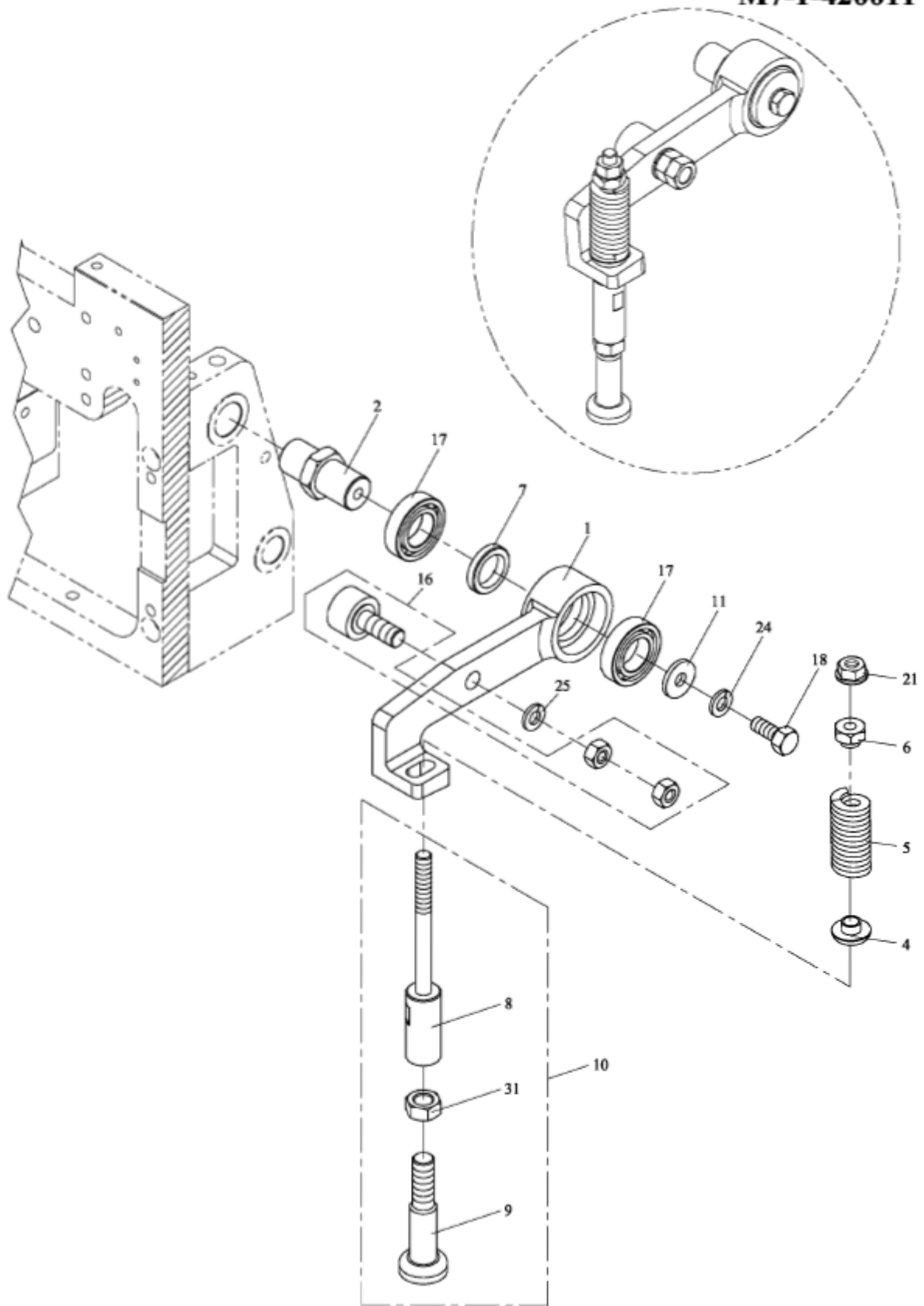
1-4-1

TENSION CRANK ASS'Y

M7-1-410001

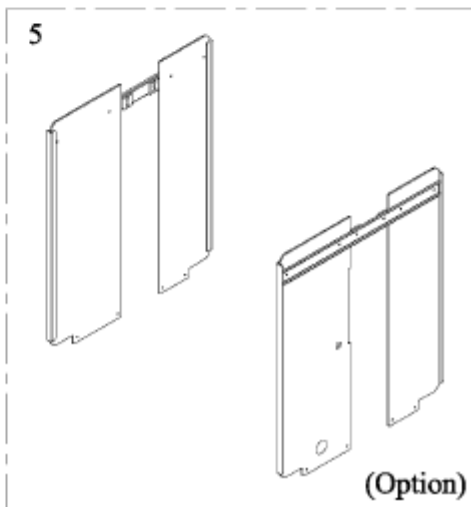
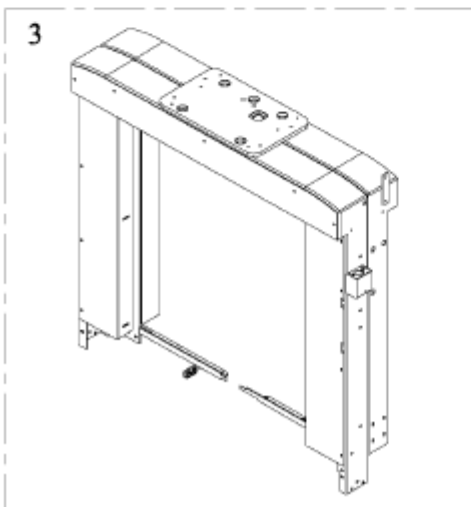
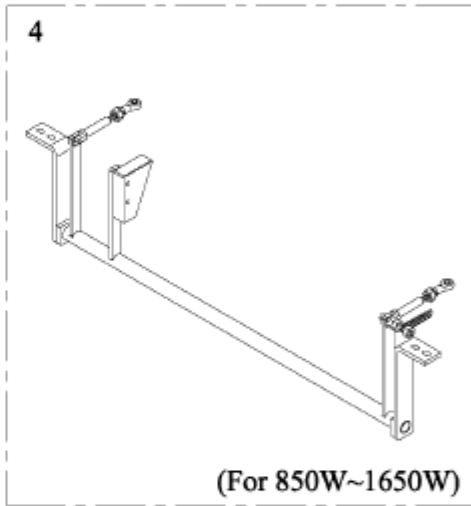
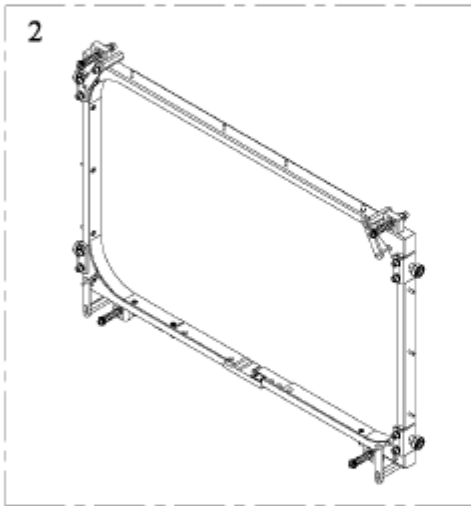
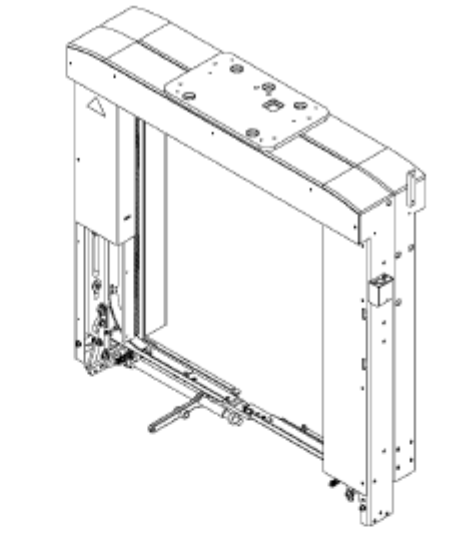
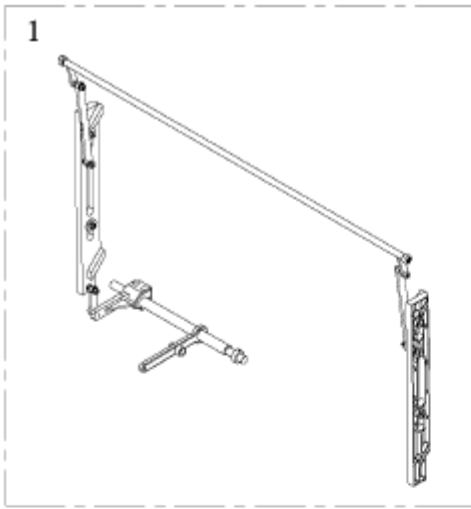
M7-1-410011

REF. NO.	PART NO.	DESCRIPTION	Q'TY	POLYCHEM PART #
1	M7-1-410001	Tension Crank Ass'y (For 5-6mm)	1	X
	M7-1-410011	Tension Crank Ass'y (For 9mm)	1	191831
	M7-1-411100	Assistant Roller (For 5-6mm)	1	X
	M7-1-411100S	Assistant Roller (Stainless Steel Model) (For 5-6mm)(Option)	1	X
	M7-1-411110	Assistant Roller (For 9mm)	1	X
	M7-1-411110S	Assistant Roller (Stainless Steel Model) (For 9mm)(Option)	1	191799
2	M7-1-411200	Assistant Roller Housing (For 5-6mm)	1	X
	M7-1-411200EN	Assistant Roller Housing (Stainless Steel Model)	1	X
	M7-1-411210	Assistant Roller Housing (For 9mm)	1	X
	M7-1-411210EN	Assistant Roller Housing (Stainless Steel Model)	1	X
3	M7-1-411300	Shaft	1	X
4	M7-1-411400	Tension Crank	1	X
5	M7-1-411501	Spring Hook	1	X
11	BR6900ZZ	Bearing, 6900ZZ	2	187996
12	BR6901ZZ	Bearing, 6901ZZ	2	198856
17	HBS0612N	HBS, M6×12 (N)	1	191563
18	HBS0630N	HBS, M6×30 (N)	2	191779
22	SW06	SW, M6	3	191562
26	PW06A	PW, M6 (A)	2	191612
36	ER08	Snap Ring, E-8	1	X

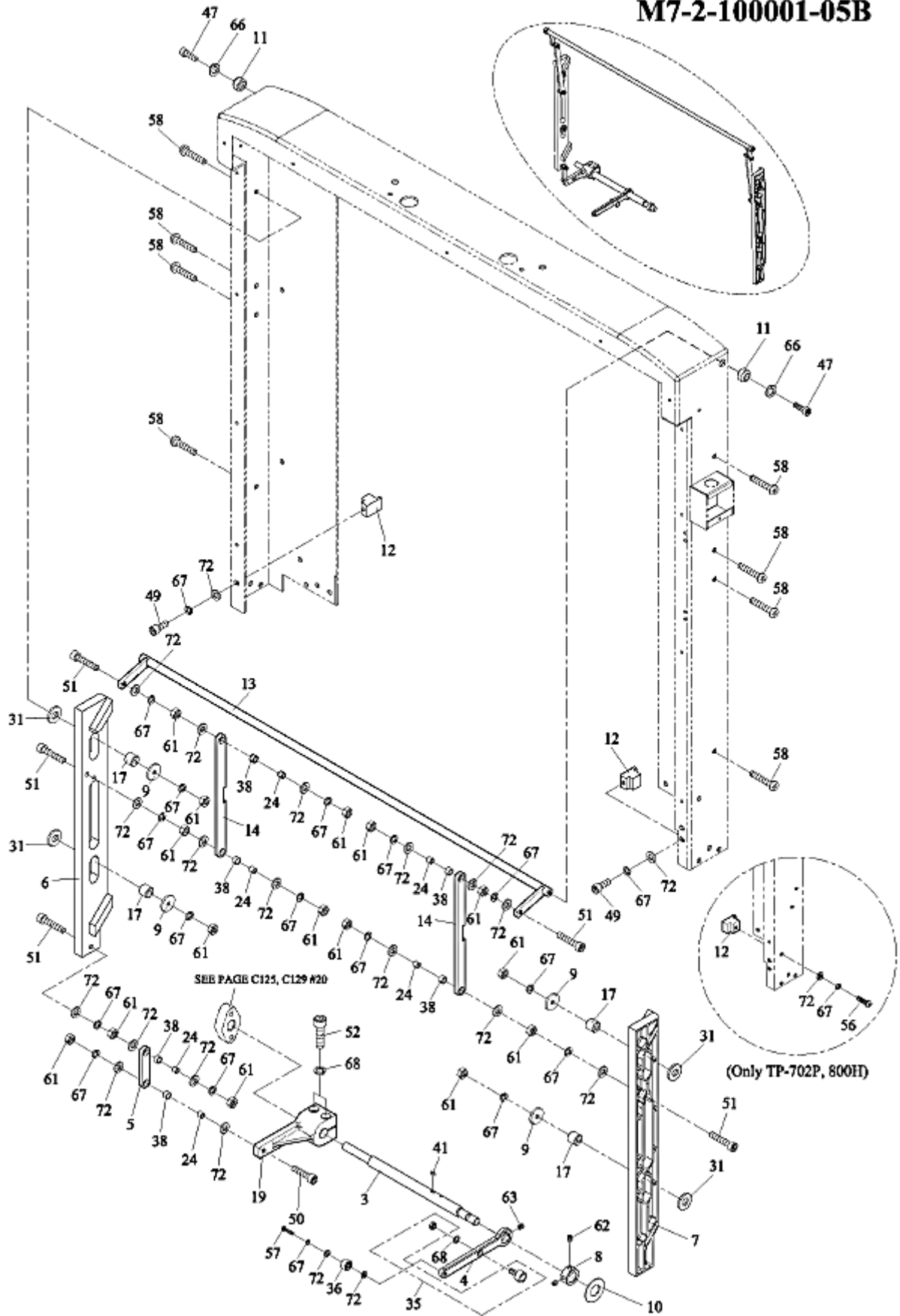


1-4-2**TENSION ARM ASS'Y****M7-1-420001****M7-1-420011**

REF. NO.	PART NO.	DESCRIPTION	Q'TY	POLYCHEM PART #
	M7-1-420001	Tension Arm Ass'y	1	205251
	M7-1-420011	Tension Arm Ass'y (For 9mm, Tension 45kg) (Option)	1	X
1	M7-1-421101	Tension Arm	1	X
2	M7-1-421200	Shaft	1	X
4	M7-1-421400	Spring Support	1	205490
5	M7-1-421510	Spring	1	203605
	M7-1-421520	Spring (For 9mm, Tension 45kg)(Option)	1	191729
6	M7-1-421600	Nut	1	205491
7	M7-1-421700	Collar	1	X
8	M7-1-421800	Connecting Rod (Upper)	1	203913
9	M7-1-421900	Connecting Rod (Lower)	1	X
10	M7-1-420100	Connecting Rod Set	1	204692
11	TB-223	Washer	1	X
16	BRCF8	Bearing, CF8	1	191643
17	BR6902ZZ	Bearing, 6902ZZ	2	X
18	HB0612	HB, M6×12	1	205333
21	FLG06	FLG, M6	1	205492
24	SW06	SW, M6	1	191562
25	SW08	SW, M8	1	191759
31	HN08	HN, M8	1	187490



REF. NO.	PART NO.	DESCRIPTION	Q'TY	POLYCHEM PART #
	M7-2-900032	Bandway Unit (For TP-702P, 5-6mm)	1	X
	M7-2-900032S	Bandway Unit (Stainless Steel Model) (For TP-702P, 5-6mm)	1	X
	M7-2-900042	Bandway Unit (For TP-702P, 9mm)	1	X
	M7-2-900042S	Bandway Unit (Stainless Steel Model) (For TP-702P, 9mm)	1	X
	M7-2-900061	Bandway Unit (For TP-702RS, 5-6mm)	1	X
	M7-2-900071	Bandway Unit (For TP-702RS, 9mm)	1	X
1	M7-2-100021	Arch Group (For TP-702P)	1	X SEE PAGE C45
	M7-2-100021S	Arch Group (Stainless Steel Model) (For TP-702P)	1	X
	M7-2-100001-05B	Arch Group (For TP-702RS)	1	X
2	M7-2-200031	Bandway Group (For TP-702P, 5-6mm)	1	X
	M7-2-200031S	Bandway Group (Stainless Steel Model) (For TP-702P, 5-6mm)	1	X
	M7-2-200041	Bandway Group (For TP-702P, 9mm)	1	X SEE PAGE C49
	M7-2-200041S	Bandway Group (Stainless Steel Model) (For TP-702P, 9mm)	1	X
	M7-2-200061	Bandway Group (For TP-702RS, 5-6mm)	1	X
	M7-2-200071	Bandway Group (For TP-702RS, 9mm)	1	X
3	M7-2-300020	Arch Cover Group (For TP-702P)	1	X SEE PAGE C57
	M7-2-300020S	Arch Cover Group (Stainless Steel Model) (For TP-702P)	1	X
	M7-2-300030	Arch Cover Group (For TP-702RS)	1	X SEE PAGE C67
4	M7-2-400010	Connecting Rod Group (For TP-702P, 850W/1050W)	1	
	M7-2-400000	Connecting Rod Group (For TP-702P, 1250W/1650W)	1	X SEE PAGE C69
5	M7-2-500000	Safety Mask Group (For TP-702P)(Option)	1	X SEE PAGE C71
	M7-2-500000S	Safety Mask Group (Stainless Steel Model) (For TP-702P)(Option)	1	



2-1

ARCH GROUP

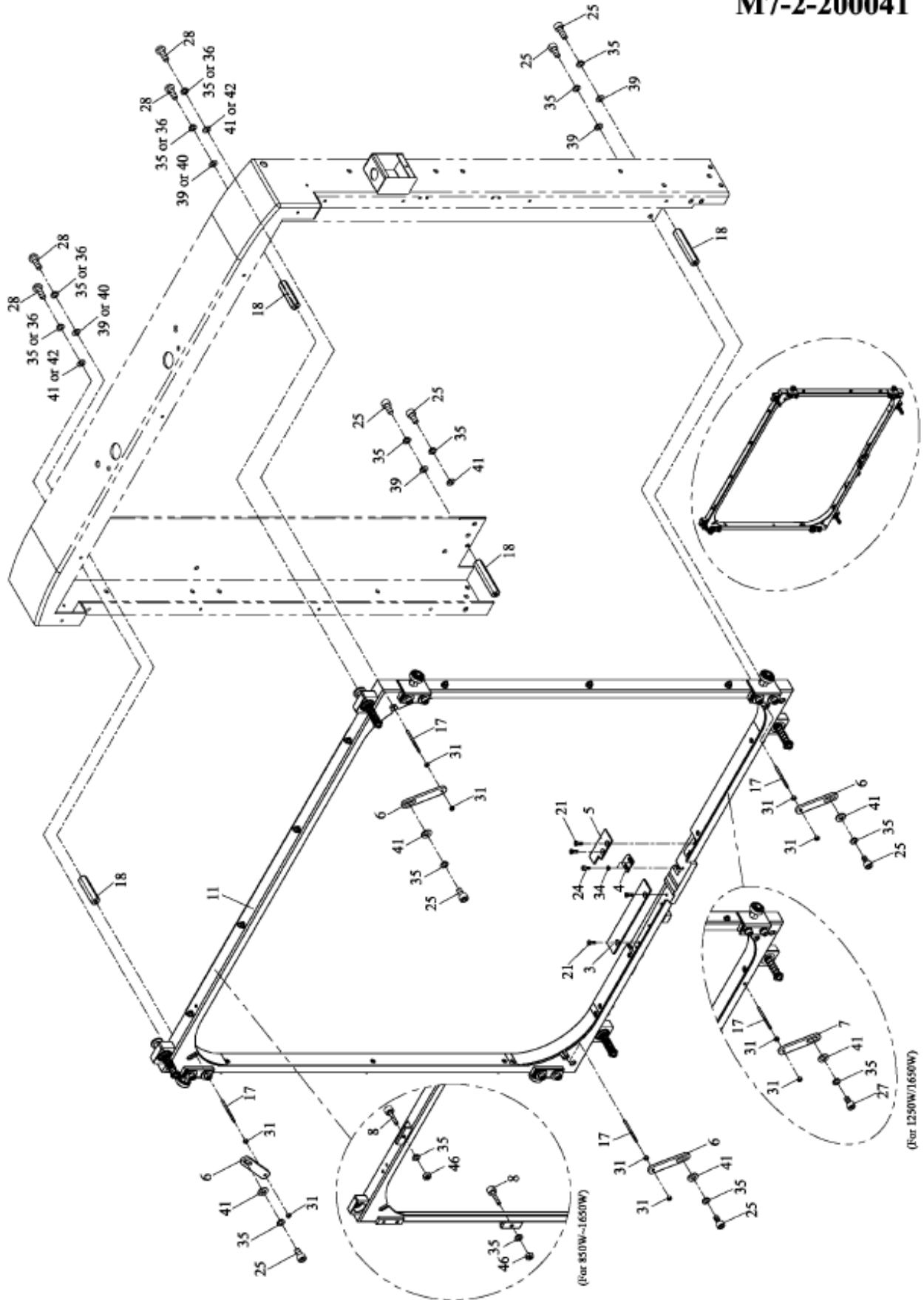
M7-2-100021

M7-2-100001-05B

REF. NO.	PART NO.	DESCRIPTION	Q'TY	POLYCHEM PART #
	M7-2-100021	Arch Group (For TP-702P)	1	X
	M7-2-100021S	Arch Group (Stainless Steel Model) (For TP-702P)	1	X
3	M7-2-100001-05B	Arch Group (For TP-702RS)	1	X
	M7-2-101310	Rod (For TP-702P, 650W)	1	X
	M7-2-101320	Rod (For TP-702P, 850W)	1	X
	M7-2-101330	Rod (For TP-702P, 1050W)	1	X
	M7-2-101340	Rod (For TP-702P, 1250W)	1	X
	M7-2-101350	Rod (For TP-702P, 1650W)	1	X
	M7-2-101300	Rod (For TP-702RS)	1	X
4	M7-2-101400	Lever (For TP-702P, 650W/TP-702RS)	1	X
	M7-2-101410	Lever (For TP-702P, 850W~1650W)	1	X
5	M7-2-101500	Plate (For TP-702P, 500H/600H/TP-702RS)	1	X
	M7-2-101510	Plate (For TP-702P, 800H)	1	X
6	M7-2-101641	Left Bar (For TP-702P, 500H)	1	X
	M7-2-101631	Left Bar (For TP-702P, 600H/800H)	1	X
	M7-2-101600	Left Bar (For TP-702RS)	1	X
7	M7-2-101741	Right Bar (For TP-702P, 500H)	1	X
	M7-2-101731	Right Bar (For TP-702P, 600H/800H)	1	X
	M7-2-101700	Right Bar (For TP-702RS)	1	X
8	M7-1-101600	Collar	1	X
9	TB-223	Washer (For TP-702P, 500H)	6	X
		Washer (For TP-702P, 600H/800H)	8	
		Washer (For TP-702RS)	4	
10	H42-1227	Washer	1	205661
11	T7-2-10110	Bushing	2	191699
12	T7-2-10120	Guide (For TP-702P, 500H/600H/TP-702RS)	2	205498
	T7-2-10770	Guide (For TP-702P, 800H)	2	X
13	T7-2-10221	Connecting Rod (For TP-702P, 650W)	1	X
	T7-2-10222	Connecting Rod (For TP-702P, 850W)	1	X
	T7-2-10223	Connecting Rod (For TP-702P, 1050W)	1	X
	T7-2-10224	Connecting Rod (For TP-702P, 1250W)	1	X
	T7-2-10226	Connecting Rod (For TP-702P, 1650W)	1	X
	T7-2-10220	Connecting Rod (For TP-702RS)	1	X
14	T7-2-10230	Connector	2	X
17	T7-2-10260	Spacer (For TP-702P, 500H)	6	X
		Spacer (For TP-702P, 600H/800H)	8	
		Spacer (For TP-702RS)	4	
19	T7-2-10290	Arm	1	X
24	T7-3-10530	Tube	6	191670

REF. NO.	PART NO.	DESCRIPTION	Q'TY	POLYCHEM PART #
31	WT163015	Thrust Washer (For TP-702P, 500H)	6	X
		Thrust Washer (For TP-702P, 600H/800H)	8	
		Thrust Washer (For TP-702RS)	4	
35	BRCF8	Bearing, CF8	1	191643
36	BRNAST6	Bearing, Nast6 (For TP-702P, 850W~1650W)	1	191683
38	MB0806	Metal Bushing, 0806	6	X
41	KYA050510	Key, 5×5×10	1	X
47	HBS0516N	HBS, M5×16 (N)	2	191700
	HBS0516S	HBS, M5×16 (Stainless Steel Model)	2	205331
49	HBS0616N	HBS, M6×16 (N)(For TP-702P, 500H/600H/ TP-702RS)	2	191544
50	HBS0625N	HBS, M6×25 (N)	1	191726
51	HBS0630N	HBS, M6×30 (N)	5	191779
52	HBS0830N	HBS, M8×30 (N)	2	X
56	THS0612N	THS, M6×12 (N)(Only TP-702P, 800H)	2	X
	THS0612S	THS, M6×12 (Stainless Steel Model) (Only TP-702P, 800H)	2	X
57	THS0625N	THS, M6×25 (N)(For TP-702P, 850W~1650W)	1	X
58	THS0630N	THS, M6×30 (N)(For TP-702P, 500H)	6	X
		THS, M6×30 (N)(For TP-702P, 600H/800H)	8	
		THS, M6×30 (N)(For TP-702RS)	4	
	THS0630S	THS, M6×30 (Stainless Steel Model) (For TP-702P, 500H)	6	X
		THS, M6×30 (Stainless Steel Model) (For TP-702P, 600H/800H)	8	
61	HN06	HN, M6 (For TP-702P, 500H)	17	
		HN, M6 (For TP-702P, 600H/800H)	19	191611
		HN, M6 (For TP-702RS)	15	
62	HSS0506GN	HSS, M5×6 (G)(N)	2	191584
63	HSS0608GN	HSS, M6×8 (G)(N)	1	X
66	SW05	SW, M5	2	191577
	SW05S	SW, M5 (Stainless Steel Model)	2	X
67	SW06	SW, M6	17~21	191562
68	SW08	SW, M8	3	191759
72	PW06A	PW, M6 (A)(For TP-702P, 650W/850W/ TP-702RS)	19	191612
		PW, M6 (A)(For 850W~1650W)	21	



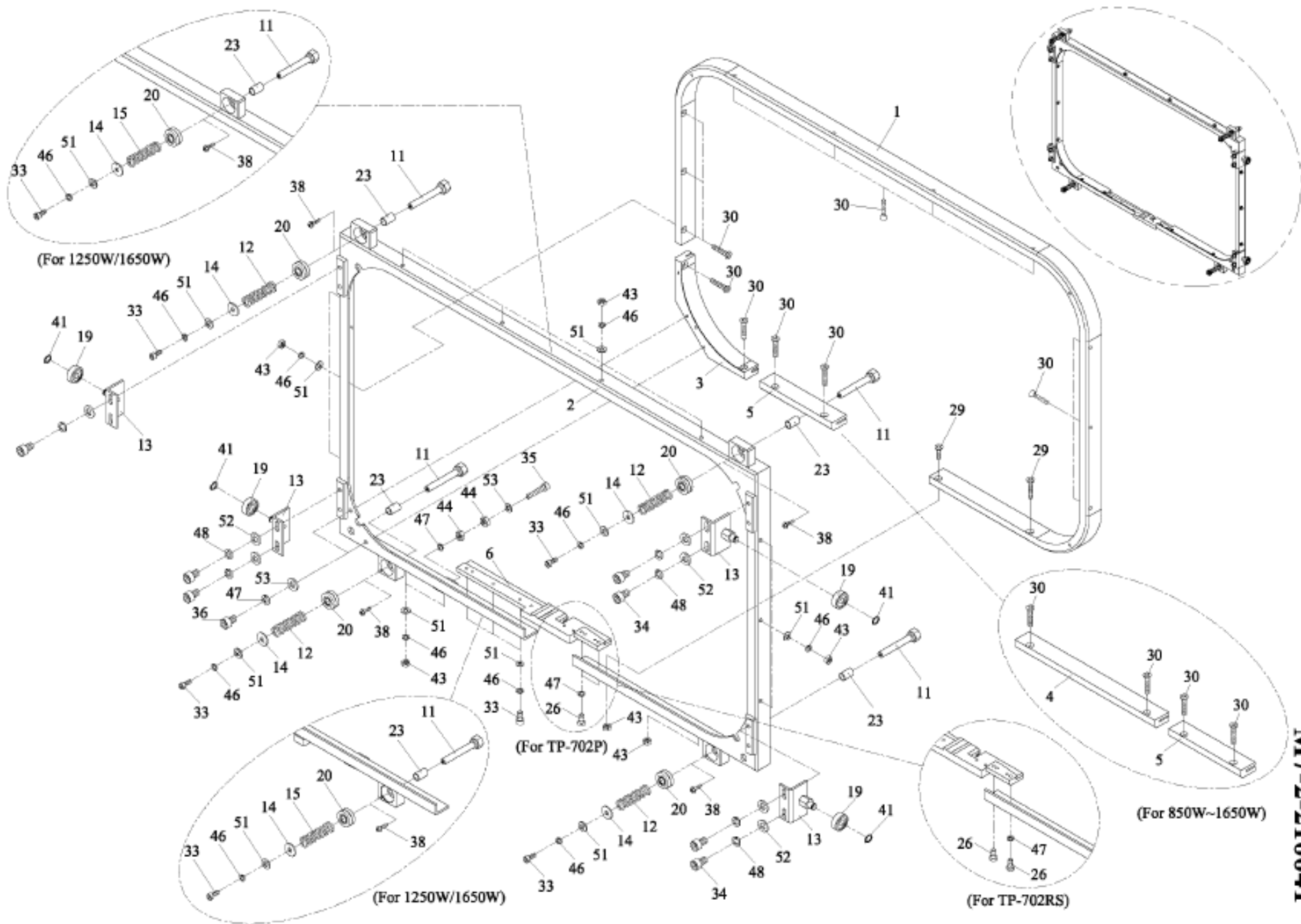


REF. NO.	PART NO.	DESCRIPTION	Q'TY	POLYCHEM PART #
	M7-2-200031	Bandway Group (For TP-702P, 5-6mm)	1	X
	M7-2-200031S	Bandway Group (Stainless Steel Model) (For TP-702P, 5-6mm)	1	X
	M7-2-200041	Bandway Group (For TP-702P, 9mm)	1	X
	M7-2-200041S	Bandway Group (Stainless Steel Model) (For TP-702P, 9mm)	1	X
	M7-2-200061	Bandway Group (For TP-702RS, 5-6mm)	1	X
	M7-2-200071	Bandway Group (For TP-702RS, 9mm)	1	X
3	M7-2-201300	Cover (L)(For TP-702P)	1	191785
	M7-2-201300S	Cover (L)(Stainless Steel Model)(For TP-702P)	1	X
	M7-2-201320	Cover (L)(For TP-702RS)	1	X
4	M7-2-201400	Adjusting Plate	1	191511
	M7-2-201400EN	Adjusting Plate (Stainless Steel Model)	1	X
5	M7-2-201500	Cover (R)(For TP-702P)	1	191788
	M7-2-201500S	Cover (R)(Stainless Steel Model)(For TP-702P)	1	X
	M7-2-201520	Cover (R)(For TP-702RS)	1	191794
6	M7-2-201710	Plate	4	191735
	M7-2-201720	Plate (For TP-702P, 1250W/1650W)	1	X
8	M7-2-201801	Bumper Screw (For TP-702P, 850W~1650W)	8~12	191564
11	M7-2-210031	Strap Track Frame Ass'y (For TP-702P, 5-6mm)	1	X (SEE PG. C53)
	M7-2-210031S	Strap Track Frame Ass'y (Stainless Steel Model)(For TP-702P, 5-6mm)	1	X
	M7-2-210041	Strap Track Frame Ass'y (For TP-702P, 9mm)	1	X
	M7-2-210041S	Strap Track Frame Ass'y (Stainless Steel Model)(For TP-702P, 9mm)	1	X
	M7-2-210061	Strap Track Frame Ass'y (For TP-702RS, 5-6mm)	1	X
	M7-2-210071	Strap Track Frame Ass'y (For TP-702RS, 9mm)	1	X
17	T7-2-10210	Pin (For TP-702P, 650W~1050W/TP-702RS)	4	191639
		Pin (For TP-702P, 1250W/1650W)	5	
	T7-2-10210S	Pin (Stainless Steel Model)(For TP-702P, 650W~1050W)(Option)	4	191782
		Pin (Stainless Steel Model)(For TP-702P, 1250W/1650W)(Option)	5	

REF. NO.	PART NO.	DESCRIPTION	Q'TY	POLYCHEM PART #
18	M7-2-201900	Tube	4	X
21	FMS0410N	FMS, M4×10 (N)	4	191786
	FMS0410S	FMS, M4×10 (Stainless Steel Model)	4	X
24	HBS0408N	HBS, M4×8 (N)(For TP-702P)	2	191787
	HBS0408S	HBS, M4×8 (Stainless Steel Model) (For TP-702P)	2	X
	THS0408N	THS, M4×8 (N)(For TP-702RS)	2	X
25	HBS0616N	HBS, M6×16 (N)	8	191544
27	HBS0612N	HBS, M6×12 (N)(For 1250W/1650W)	1	191563
28	THS0616N	THS, M6×16 (N)	4	205691
	THS0616S	THS, M6×16 (Stainless Steel Model)	4	205392
31	NTE03	NTE, M3 (For TP-702P, 650W~1050W/ TP-702RS)	8	191734
		NTE, M3 (For TP-702P, 1250W/1650W)	10	
34	SW04	SW, M4	2	X
	SW04S	SW, M4 (Stainless Steel Model)	2	X
35	SW06	SW, M6 (For TP-702P, 650W/TP-702RS)	12	191562
		SW, M6 (For TP-702P, 850W~1650W)	20~25	
36	SW06S	SW, M6 (Stainless Steel Model)	4	205539
39	PW06A	PW, M6 (A)	5	191612
40	PW06AS	PW, M6 (A)(Stainless Steel Model)	2	X
41	PW06C	PW, M6 (C)(For TP-702P, 650W~1050W/ TP-702RS)	7	191561
		PW, M6 (C)(For TP-702P, 1250W/1650W)	8	
42	PW06CS	PW, M6 (C)(Stainless Steel Model)	2	205534
46	HN06	HN, M6 (For TP-702P, 850W~1650W)	8~12	191611



-CS3-



2-2-1

STRAP TRACK FRAME ASS'Y

M7-2-210031

M7-2-210041

REF. NO.	PART NO.	DESCRIPTION	Q'TY	POLYCHEM PART #
	M7-2-210031	Strap Track Frame Ass'y (For TP-702P, 5-6mm)	1	X
	M7-2-210031S	Strap Track Frame Ass'y (Stainless Steel Model)(For TP-702P, 5-6mm)	1	X
	M7-2-210041	Strap Track Frame Ass'y (For TP-702P, 9mm)	1	X
	M7-2-210041S	Strap Track Frame Ass'y (Stainless Steel Model)(For TP-702P, 9mm)	1	X
	M7-2-210061	Strap Track Frame Ass'y (For TP-702RS, 5-6mm)	1	X
	M7-2-210071	Strap Track Frame Ass'y (For TP-702RS, 9mm)	1	X
1	M7-2-201130	Strap Track (For TP-702P, 5-6mm)	1	X
	M7-2-201140	Strap Track (For TP-702P, 9mm)	1	X
	M7-2-201101-05B	Strap Track (For TP-702RS, 5-6mm)	1	X
	M7-2-201111-05B	Strap Track (For TP-702RS, 9mm)	1	X
2	M7-2-201220	Strap Track Frame (For TP-702P)	1	X
	M7-2-201220S	Strap Track Frame (Stainless Steel Model) (For TP-702P)	1	X
	M7-2-201201-05B	Strap Track Frame (For TP-702RS)	1	X
3	M7-2-211100	Corner Strap Track (For 5-6mm)	1	191667
	M7-2-211110	Corner Strap Track (For 9mm)	1	X
4	M7-2-211221	Strap Track (Left)(2)(For TP-702P, 5-6mm, 850W)	1	X
	M7-2-211231	Strap Track (Left)(2)(For TP-702P, 5-6mm, 1050W)	1	X
	M7-2-211241	Strap Track (Left)(2)(For TP-702P, 5-6mm, 1250W)	1	191669
	M7-2-211251	Strap Track (Left)(2)(For TP-702P, 5-6mm, 1650W)	1	X
	M7-2-211321	Strap Track (Left)(2)(For TP-702P, 9mm, 850W)	1	X
	M7-2-211331	Strap Track (Left)(2)(For TP-702P, 9mm, 1050W)	1	X
	M7-2-211341	Strap Track (Left)(2)(For TP-702P, 9mm, 1250W)	1	X
	M7-2-211351	Strap Track (Left)(2)(For TP-702P, 9mm, 1650W)	1	X
5	M7-2-211211	Strap Track (Left)(1)(For TP-702P, 5-6mm, 650W)	1	X
	M7-2-211201	Strap Track (Left)(1)(For TP-702P, 5-6mm, 850W/1050W/TP-702RS, 5-6mm)	1	191668
	M7-2-211600	Strap Track (Left)(1)(For TP-702P, 5-6mm, 1250W/1650W)	1	X

2-2-1

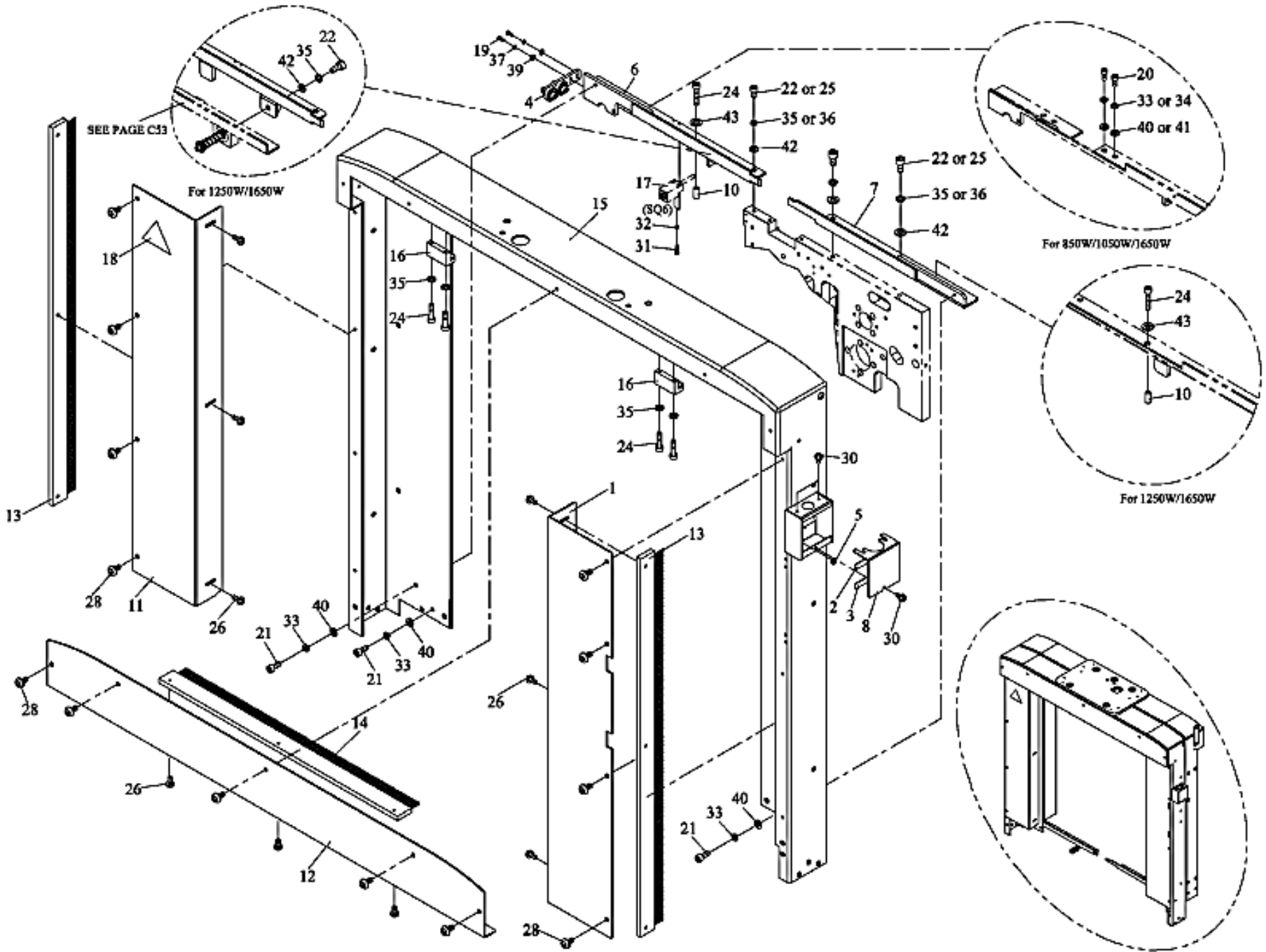
STRAP TRACK FRAME ASS'Y

M7-2-210031

M7-2-210041

REF. NO.	PART NO.	DESCRIPTION	Q'TY	POLYCHEM PART #
	M7-2-211311	Strap Track (Left)(1)(For TP-702P, 9mm, 650W)	1	X
	M7-2-211301	Strap Track (Left)(1)(For TP-702P, 9mm, 850W/1050W/TP-702RS, 9mm)	1	X
	M7-2-211610	Strap Track (Left)(1)(For TP-702P, 9mm, 1250W/1650W)	1	X
6	M7-2-201600	Track Frame Connector (For TP-702P, 5-6mm)	1	191762
	M7-2-201600S	Track Frame Connector (Stainless Steel Model)(For TP-702P, 5-6mm)	1	X
	M7-2-201610	Track Frame Connector (For TP-702P, 9mm)	1	191723
	M7-2-201610S	Track Frame Connector (Stainless Steel Model)(For TP-702P, 9mm)	1	198858
	M7-2-201630	Track Frame Connector (For TP-702RS, 5-6mm)	1	X
	M7-2-201640	Track Frame Connector (For TP-702RS, 9mm)	1	191710
11	T7-2-20160	Shaft (For TP-702P, 650W~1050W/TP-702RS)	4	191681
		Shaft (For TP-702P, 1250W/1650W)	6	
	T7-2-20160S	Shaft (Stainless Steel Model)(For TP-702P, 650W~1050W/TP-702RS)(Option)	4	X
		Shaft (Stainless Steel Model)(For TP-702P, 1250W/1650W)(Option)	6	
12	T7-2-20172	Spring	4	203787
	T7-2-20172S	Spring (Stainless Steel Model)(Option)	4	191783
13	T7-2-20180	Bracket	4	205535
14	T7-2-20380	Washer (cp5× \varnothing 14)(For TP-702P, 650W~1050W/TP-702RS)	4	191745
		Washer (cp5× \varnothing 14)(For TP-702P, 1250W/1650W)	6	
15	T7-2-20171	Spring (For TP-702P, 1250W/1650W)	2	191805
	T7-2-20171S	Spring (Stainless Steel Model) (For TP-702P, 1250W/1650W)(Option)	2	X
19	BR608ZZ	Bearing, 608ZZ	4	187783
20	BRPB8	Bearing, PB8 (For TP-702P, 650W~1050W/TP-702RS)	4	191784
		Bearing, PB8 (For TP-702P, 1250W/1650W)	6	
23	MB0816	Metal Bushing, 0816 (For TP-702P, 650W~1050W/TP-702RS)	4	205350
		Metal Bushing, 0816 (For TP-702P, 1250W/1650W)	6	

REF. NO.	PART NO.	DESCRIPTION	Q'TY	POLYCHEM PART #
26	HBL0512	HBL, M5×12	2	191591
29	FMS0420N	FMS, M4×20 (N)	2	X
	FMS0420S	FMS, M4×20 (Stainless Steel Model)	2	X
30	FMS0425	FMS, M4×25	16~25	204994
	FMS0425S	FMS, M4×25 (Stainless Steel Model)	16~25	X
33	HBS0412N	HBS, M4×12 (N)(For TP-702P, 650W~1050W/TP-702RS)	7	191682
		HBS, M4×12 (N)(For TP-702P, 1250W/1650W)	9	
34	HBS0612N	HBS, M6×12 (N)	8	191563
35	HBS0540N	HBS, M5×40 (N)(Without SQ6 Option)	1	X
36	HBS0512N	HBS, M5×12 (N)	2	190848
38	TMS0408N	TMS, M4×8 (N)(For TP-702P, 650W~1050W/ TP-702RS)	4	191648
		TMS, M4×8 (N)(For TP-702P, 1250W/1650W)	6	
41	SR08	Stop Ring, S-8	4	X
43	HN04	HN, M4	18~27	191604
44	HN05	HN, M5 (Without SQ6 Option)	2	187478
46	SW04	SW, M4	23~33	X
47	SW05	SW, M5 (For TP-702P)	4	191577
		SW, M5 (For TP-702P)(Without SQ6 Option)	5	
		SW, M5 (For TP-702RS)	3	
		SW, M5 (For TP-702RS)(Without SQ6 Option)	4	
48	SW06	SW, M6	8	191562
51	PW04	PW, M4	23~33	191562
52	PW06C	PW, M6 (C)	8	187428
53	PW05	PW, M5	2	187428
		PW, M5 (Without SQ6 Option)	3	191561



2-3

**ARCH COVER GROUP
(For TP-702P)**

**M7-2-300020
(1 OF 2)**

a.

REF. NO.	PART NO.	DESCRIPTION	Q'TY	POLYCHEM PART #
	M7-2-300020	Arch Cover Group (For TP-702P)	1	X
	M7-2-300020S	Arch Cover Group (Stainless Steel Model) (For TP-702P)	1	X
1	M7-2-302400	Arch Cover RH (For 500H)	1	X
	M7-2-302400S	Arch Cover RH (Stainless Steel Model) (For 500H)	1	X
	M7-2-302410	Arch Cover RH (For 600H)	1	X
	M7-2-302410S	Arch Cover RH (Stainless Steel Model) (For 600H)	1	X
	M7-2-302420	Arch Cover RH (For 800H)	1	X
	M7-2-302420S	Arch Cover RH (Stainless Steel Model) (For 800H)	1	X
2	FR-12006300	Foam Rubber	1	X
3	FR-12006301	Foam Rubber	1	X
4	M7-2-310000	Block Ass'y (For 650W~1050W)	1	X SEE PAGE C65
5	T5-4-10580	Grommet	1	191803
6	M7-2-101110	Guide LH (For 650W)	1	X
	M7-2-101110S	Guide LH (Stainless Steel Model)(For 650W)	1	X
	M7-2-101120	Guide LH (For 850W)	1	191796
	M7-2-101120S	Guide LH (Stainless Steel Model)(For 850W)	1	X
	M7-2-101130	Guide LH (For 1050W)	1	X
	M7-2-101130S	Guide LH (Stainless Steel Model)(For 1050W)	1	X
	M7-2-101140	Guide LH (For 1250W)	1	X
	M7-2-101140S	Guide LH (Stainless Steel Model)(For 1250W)	1	X
	M7-2-101150	Guide LH (For 1650W)	1	X
	M7-2-101150S	Guide LH (Stainless Steel Model)(For 1650W)	1	X
7	M7-2-101210	Guide RH (For 650W~1050W)	1	X
	M7-2-101210S	Guide RH (Stainless Steel Model) (For 650W~1050W)	1	X
	M7-2-101230	Guide RH (For 1250W/1650W)	1	X
	M7-2-101230S	Guide RH (Stainless Steel Model) (For 1250W/1650W)	1	X
8	M7-2-301800	Cover	1	X
	M7-2-301800S	Cover (Stainless Steel Model)	1	X
10	T7-2-20470	Support Rod (For 1250W/1650W)	2	X
11	M7-2-302300	Arch Cover LH (For 500H)	1	X
	M7-2-302300S	Arch Cover LH (Stainless Steel Model) (For 500H)	1	X
	M7-2-302310	Arch Cover LH (For 600H)	1	X
	M7-2-302310S	Arch Cover LH (Stainless Steel Model) (For 600H)	1	X
	M7-2-302320	Arch Cover LH (For 800H)	1	X
	M7-2-302320S	Arch Cover LH (Stainless Steel Model) (For 800H)	1	X

2-3

**ARCH COVER GROUP
(For TP-702P)**

**M7-2-300020
(1 OF 2)**

a.

REF. NO.	PART NO.	DESCRIPTION	Q'TY	POLYCHEM PART #
12	M7-2-302700	Arch Cover (Upper)(For 650W)	1	X
	M7-2-302700S	Arch Cover (Upper)(Stainless Steel Model) (For 650W)	1	X
	M7-2-302710	Arch Cover (Upper)(For 850W)	1	X
	M7-2-302710S	Arch Cover (Upper)(Stainless Steel Model) (For 850W)	1	X
	M7-2-302720	Arch Cover (Upper)(For 1050W)	1	X
	M7-2-302720S	Arch Cover (Upper)(Stainless Steel Model) (For 1050W)	1	X
	M7-2-302730	Arch Cover (Upper)(For 1250W)	1	X
	M7-2-302730S	Arch Cover (Upper)(Stainless Steel Model) (For 1250W)	1	X
	M7-2-302740	Arch Cover (Upper)(For 1650W)	1	X
	M7-2-302740S	Arch Cover (Upper)(Stainless Steel Model) (For 1650W)	1	X
13	M7-2-304130	Brush (Side)(For 500H)	2	X
	M7-2-304140	Brush (Side)(For 600H)	2	X
	M7-2-304150	Brush (Side)(For 800H)	2	X
14	M7-2-304010	Brush (Upper)(For 650W)	1	X
	M7-2-304020	Brush (Upper)(For 850W)	1	X
	M7-2-304030	Brush (Upper)(For 1050W)	1	X
	M7-2-304040	Brush (Upper)(For 1250W)	2	X
	M7-2-304050	Brush (Upper)(For 1650W)	2	X
15	M7-2-302100	Arch	1	X
	M7-2-302100S	Arch (Stainless Steel Model)	1	X
16	M7-2-301700	Block (For 850W~1650W)	2	X
17	MV-6-20220	Proximity Sensor (X19)(SQ6)(Option)	1	(SEE PG. C163) 191483
18	LA-40180	Label	1	X
19	HBS0412N	HBS, M4×12 (N)(For 650W~1050W)	2	191682
20	HBS0508N	HBS, M5×8 (N)(For 850W/1050W/1650W)	2	202943
	HBS0508S	HBS, M5×8 (Stainless Steel Model) (For 850W/1050W/1650W)	2	X
21	HBS0512N	HBS, M5×12 (N)	3	190848
	HBS0512S	HBS, M5×12 (Stainless Steel Model)	3	X
22	HBS0616N	HBS, M6×16 (N)(For 650W~1050W)	3	191544
		HBS, M6×16 (N)(For 1250W~1650W)	4	
24	HBS0640N	HBS, M6×40 (N)(For 850W~1650W)	4	X
		HBS, M6×40 (N)(For 1250W/1650W)	6	
25	HBS0616S	HBS, M6×16 (Stainless Steel Model)	3	204086

2-3

ARCH COVER GROUP
(For TP-702P)

M7-2-300020
(1 OF 2)

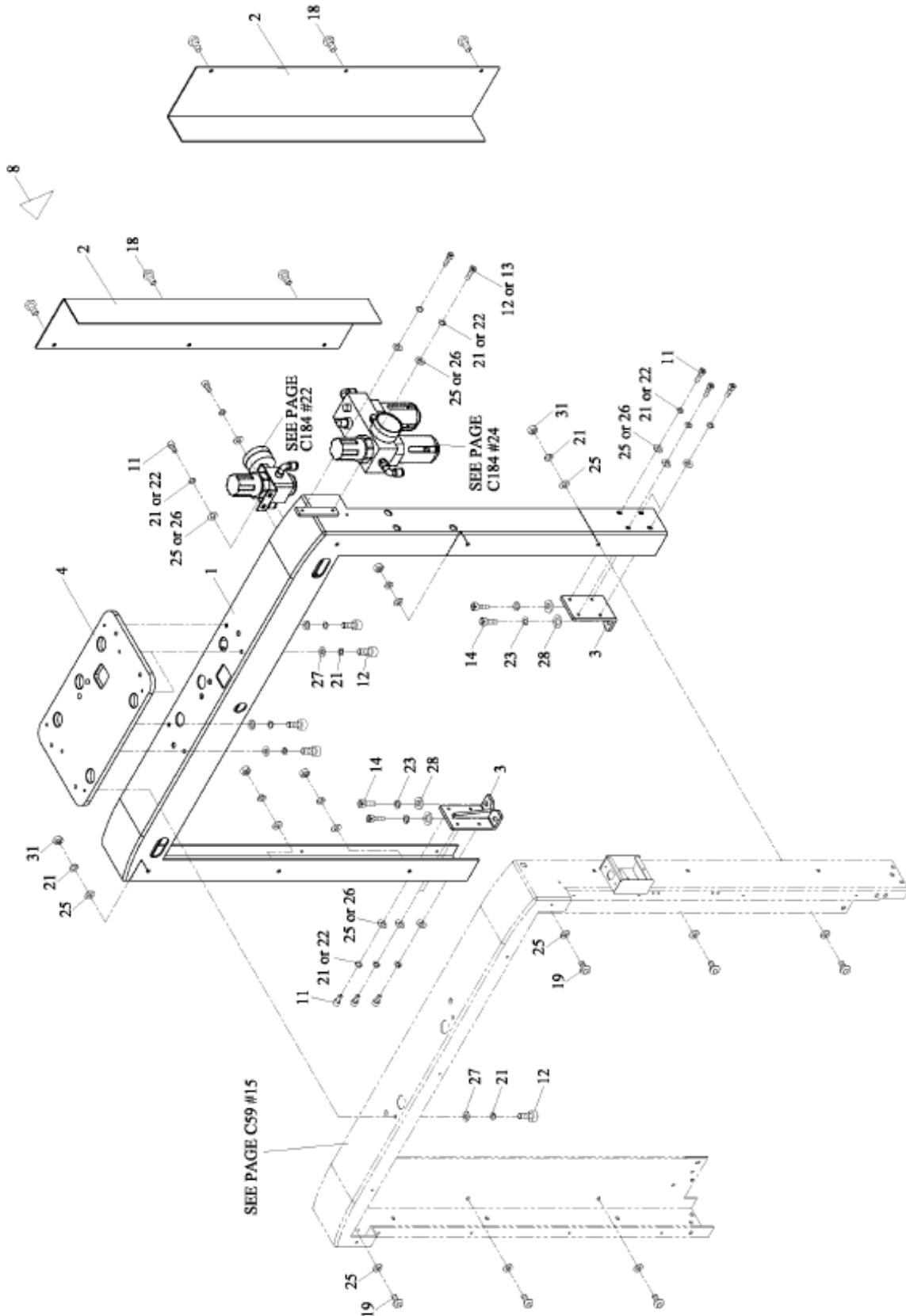
a.

REF. NO.	PART NO.	DESCRIPTION	Q'TY	POLYCHEM PART #
26	TTP0412BN	TTP, M4×12 (B)(N)(For 650W~1050W)	9	191701
		TTP, M4×12 (B)(N)(For 1250W/1650W)	12	
	TTP0412BS	TTP, M4×12 (B)(Stainless Steel Model) (For 650W~1050W)	9	X
		TTP, M4×12 (B)(Stainless Steel Model) (For 1250W/1650W)	12	
28	THS0508N	THS, M5×8 (N)	6	191579
	THS0508S	THS, M5×8 (Stainless Steel Model)	6	X
30	TMS0406	TMS, M4×6	3	X
	TMS0406S	TMS, M4×6 (Stainless Steel Model)	3	X
31	PMS0316	PMS, M3×16 (Option)	2	X
32	SW03	SW, M3 (Option)	2	191590
33	SW05	SW, M5 (For 650W/1250W)	3	191577
		SW, M5 (For 850W/1050W/1650W)	5	
		SW, M5 (Stainless Steel Model) (For 850W/1050W/1650W)	2	X
35	SW06	SW, M6 (For 650W)	3	191562
		SW, M6 (For 850W/1050W)	7	
		SW, M6 (For 1250W/1650W)	8	
36	SW06S	SW, M6 (Stainless Steel Model)	3	205539
37	SW04	SW, M4 (For 650W~1050W)	2	X
39	PW04	PW, M4 (For 650W~1050W)	2	187428
40	PW05	PW, M5 (For 650W/1250W)	3	191578
		PW, M5 (For 850W/1050W/1650W)	5	
		PW, M5 (Stainless Steel Model) (For 850W/1050W/1650W)	2	X
42	PW06A	PW, M6 (A)(For 650W~1050W)	3	191612
		PW, M6 (A)(For 1250W/1650W)	4	
43	PW06B	PW, M6 (B)(For 1250W/1650W)	2	X
	PW06BS	PW, M6 (B)(Stainless Steel Model) (For 1250W/1650W)	2	205540

2-3
a.

ARCH COVER GROUP (For TP-702P)

M7-2-300020
(2 OF 2)



2-3

**ARCH COVER GROUP
(For TP-702P)**

**M7-2-300020
(2 OF 2)**

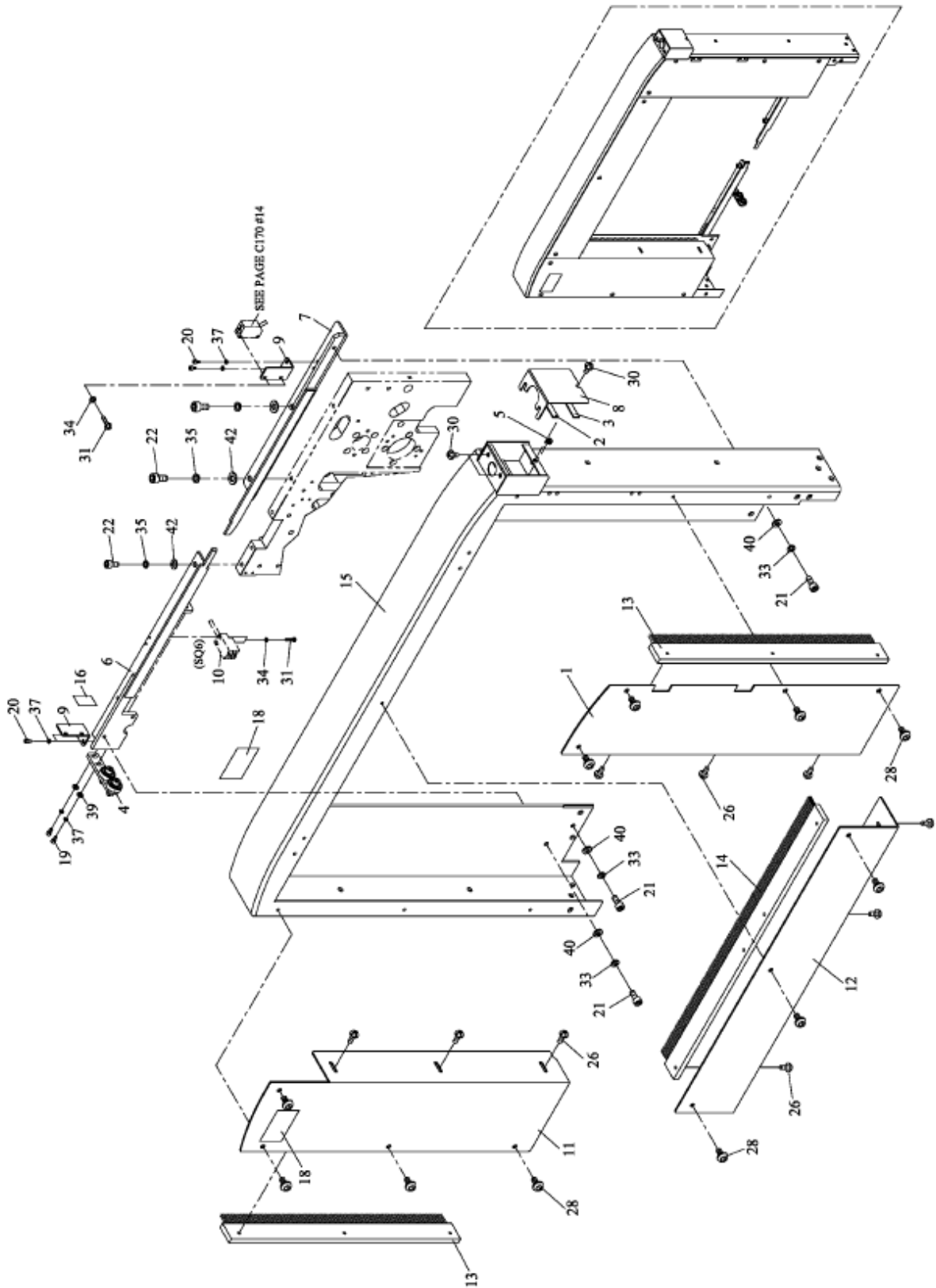
a.

REF. NO.	PART NO.	DESCRIPTION	Q'TY	POLYCHEM PART #
1	M7-2-302200	Cylinder Base	1	
	M7-2-302200S	Cylinder Base (Stainless Steel Model)	1	
2	M7-2-302500	Cylinder Base Cover (For 500H)	2	
	M7-2-302500S	Cylinder Base Cover (Stainless Steel Model)(For 500H)	2	
	M7-2-302510	Cylinder Base Cover (For 600H)	2	
	M7-2-302510S	Cylinder Base Cover (Stainless Steel Model)(For 600H)	2	
	M7-2-302520	Cylinder Base Cover (For 800H)	2	
	M7-2-302520S	Cylinder Base Cover (Stainless Steel Model)(For 800H)	2	
3	M7-2-302800	Bracket	2	
	M7-2-302800S	Bracket (Stainless Steel Model)	2	
4	M7-2-302900	Cylinder Base Reinforcement	1	
8	LA-40180	Label	1	
11	HBS0612N	HBS, M6×12 (N)	10	
	HBS0612S	HBS, M6×12 (Stainless Steel Model)	10	
12	HBS0616N	HBS, M6×16 (N)	8	
13	HBS0616S	HBS, M6×16 (Stainless Steel Model)	2	
14	HBS0820N	HBS, M8×20 (N)	4	
18	THS0508N	THS, M5×8 (N)	6	
	THS0508S	THS, M5×8 (Stainless Steel Model)	6	
19	THS0616N	THS, M6×16	6	
21	SW06	SW, M6	24	
22	SW06S	SW, M6 (Stainless Steel Model)	12	
23	SW08	SW, M8	4	
25	PW06A	PW, M6 (A)	24	
26	PW06AS	PW, M6 (A)(Stainless Steel Model)	12	
27	PW06C	PW, M6 (C)	6	
28	PW08A	PW, M8 (A)	4	
31	HN06	HN, M6	6	

2-3
b.

ARCH COVER GROUP (For TP-702RS)

M7-2-300030



2-3

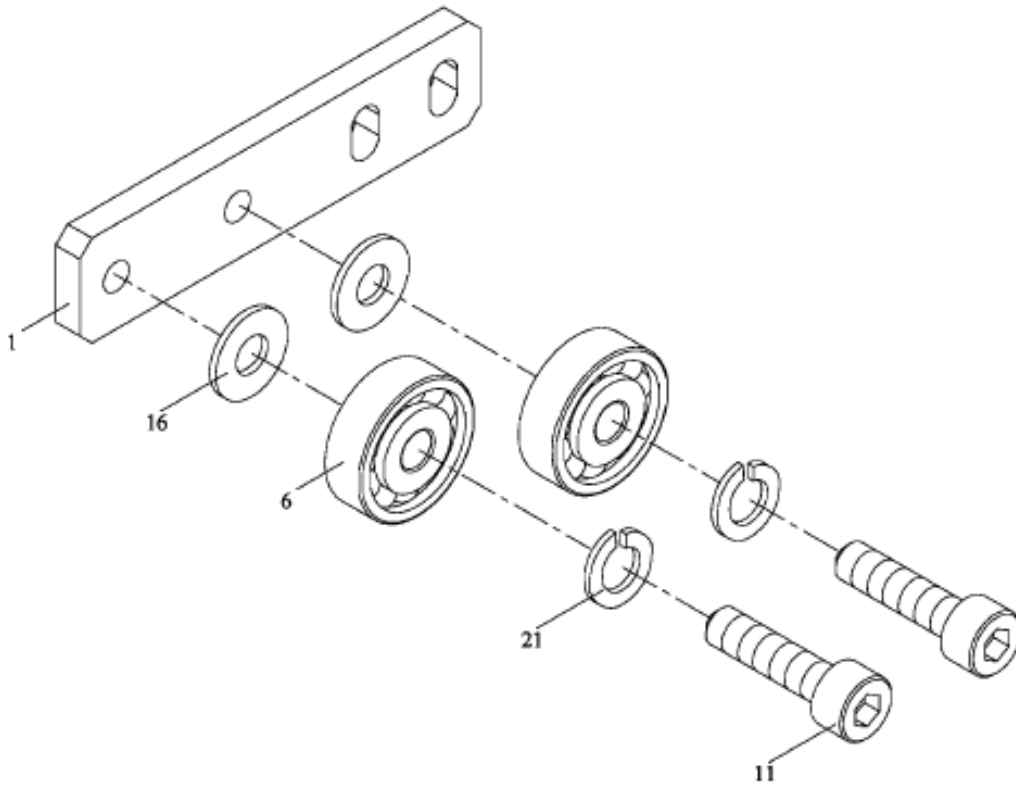
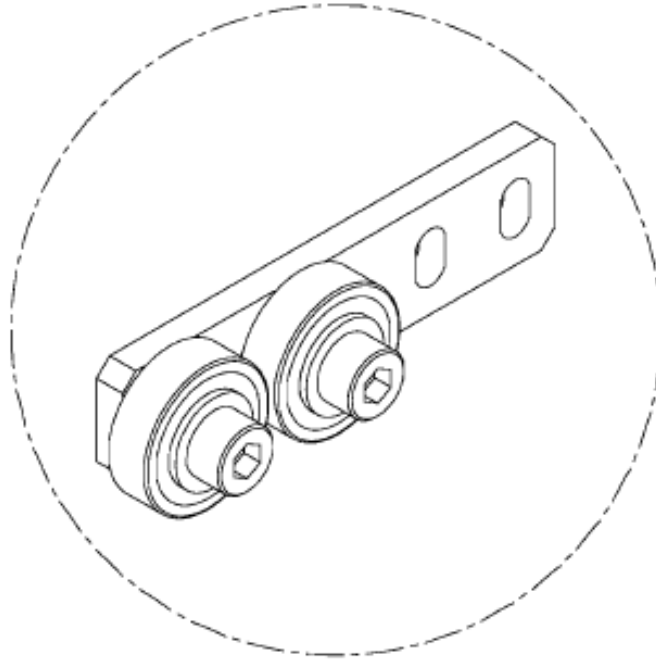
**ARCH COVER GROUP
(For TP-702RS)**

M7-2-300030

b.

REF. NO.	PART NO.	DESCRIPTION	Q'TY	POLYCHEM PART #
1	M7-2-301101	Arch Cover RH	1	
2	FR-12006300	Foam Rubber	1	
3	FR-12006301	Foam Rubber	1	
4	M7-2-310000	Block Ass'y	1	SEE PAGE C65
5	T5-4-10580	Grommet	1	
6	M7-2-101180	Guide LH	1	
7	M7-2-101240	Guide RH	1	
8	M7-2-301800	Cover	1	
9	M7-2-303000	Sensor Bracket (Option)	2	
10	MV-6-20220	Proximity Sensor (X19)(SQ6)(Option)	1	SEE PAGE C163
11	M7-2-301400	Arch Cover LH	1	
12	M7-2-301500	Arch Cover (Upper)	1	
13	M7-2-304100	Brush (Side)	2	
14	M7-2-304000	Brush (Upper)	1	
15	M7-2-301600-05B	Arch	1	
16	LA-50526	Sensor Label (Option)	1	
18	LA-40005	Label	2	
19	HBS0412N	HBS, M4×12 (N)	2	
20	HBS0408N	HBS, M4×8 (N)(Option)	4	
21	HBS0512N	HBS, M5×12 (N)	3	
22	HBS0616N	HBS, M6×16 (N)	3	
26	TTP0412BN	TTP, M4×12 (B)(N)	9	
28	THS0508N	THS, M5×8 (N)	11	
30	TMS0406	TMS, M4×6	3	
31	PMS0316	PMS, M3×16 (Option)	4	
33	SW05	SW, M5	3	
34	SW03	SW, M3 (Option)	4	
35	SW06	SW, M6	3	
37	SW04	SW, M4 SW, M4 (Option)	2 6	
39	PW04	PW, M4	2	
40	PW05	PW, M5	3	
42	PW06A	PW, M6 (A)	3	

BLOCKASS'Y
(For TP-702P, 650W--1050W/TP-702RS)



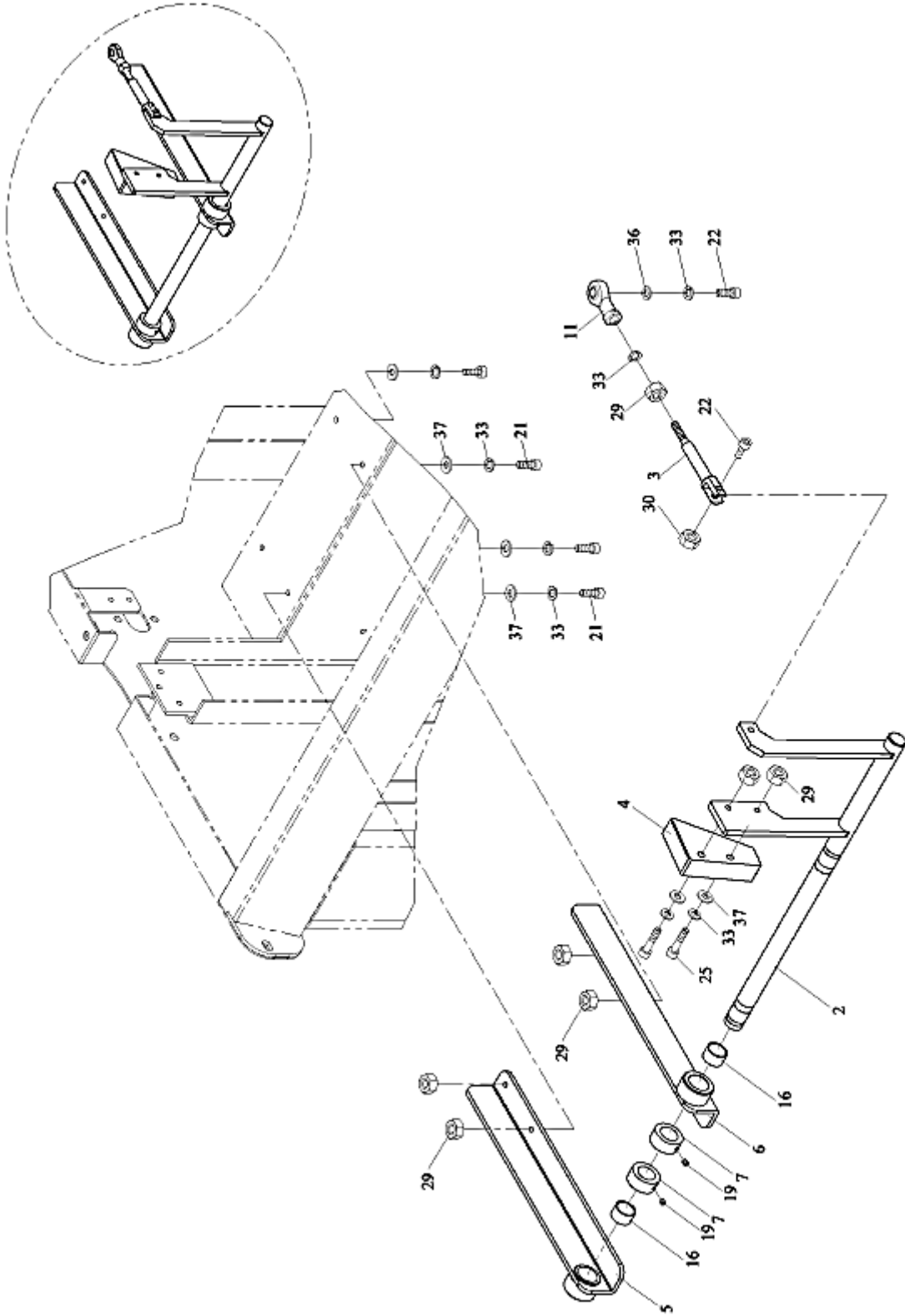
2-3-1

BLOCK ASS'Y
(For TP-702P, 650W~1050W/TP-702RS)

M7-2-31000

REF. NO.	PART NO.	DESCRIPTION	Q'TY	POLYCHEM PART #
1	M7-2-301200	Block	1	X
6	BR635ZZ	Bearing, 635ZZ	2	187778
11	HBS0516N	HBS, M5×16 (N)	2	191700
16	PW05	PW, M5	2	191578
21	SW05	SW, M5	2	191577

CONNECTING ROD GROUP (For TP-702P, 850W/1050W)



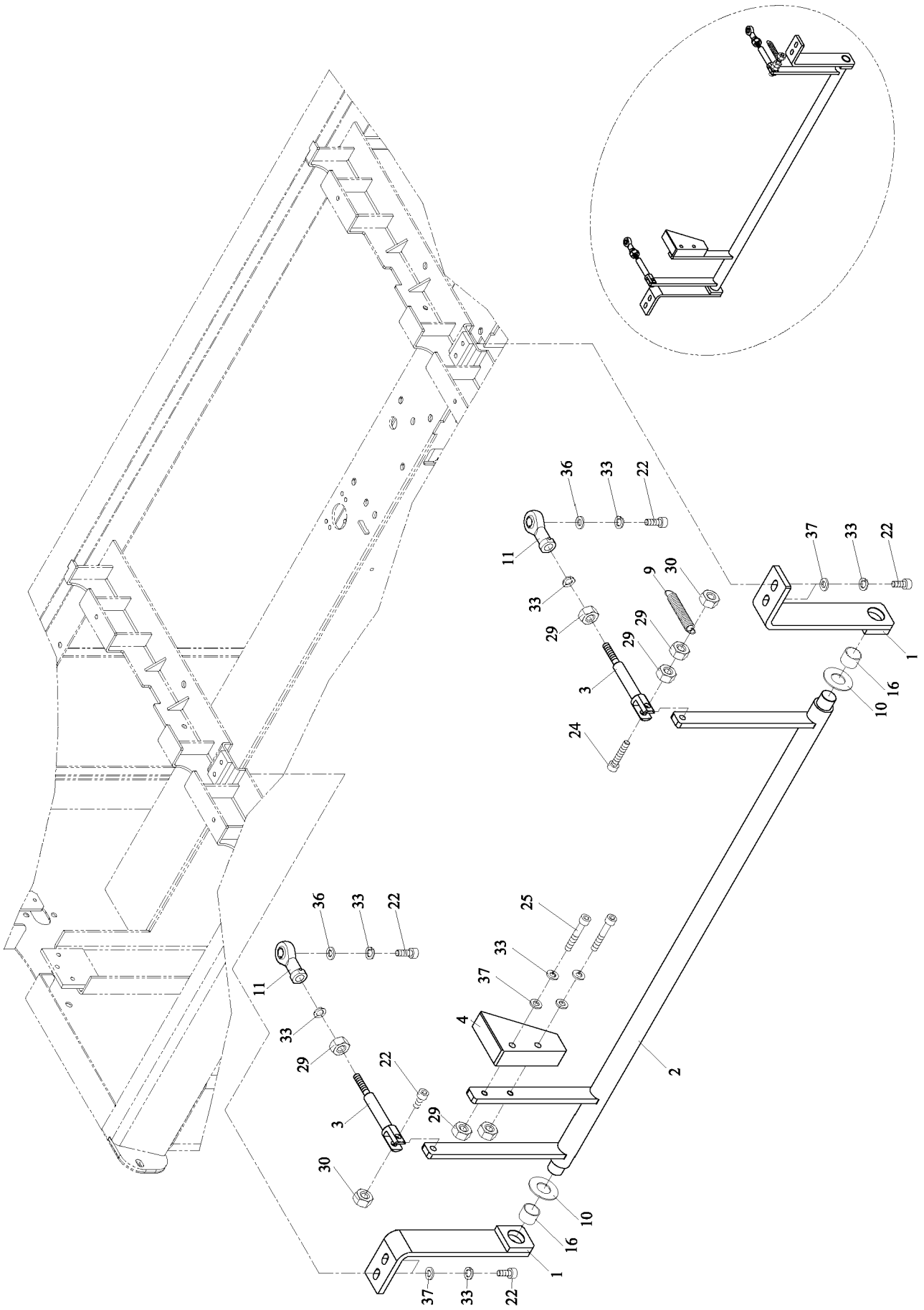
2-4-1
(For TP-702P, 850W/1050W)

CONNECTING ROD GROUP

M7-2-400010

REF. NO.	PART NO.	DESCRIPTION	Q'TY	POLYCHEM PART #
2	M7-2-401210	Connecting Rod	1	X
3	M7-2-401300	Connector	1	X
4	M7-2-401400	Slant Block	1	X
5	M7-2-401500	Bracket (Left)	1	X
6	M7-2-401600	Bracket (Right)	1	X
7	M7-2-401700	Collar	2	203833
11	T7-2-20560	Swivel Head, NHS06	1	X
16	MB1715	Metal Bushing, 1715	2	X
19	HSS0606GN	HSS, M6×6 (G)(N)	2	187305
21	HBS0616N	HBS, M6×16 (N)	4	191544
22	HBS0620N	HBS, M6×20 (N)	2	191726
25	HBS0635HN	HBS, M6×35 (H)(N)	2	X
29	HN06	HN, M6	7	191611
30	NTE06	NTE, M6	1	X
33	SW06	SW, M6	10	191562
36	PW06A	PW, M6 (A)	2	191612
37	PW06C	PW, M6 (C)	4	191561

CONNECTING ROD GROUP (For TP-702P, 1250W/1650W)



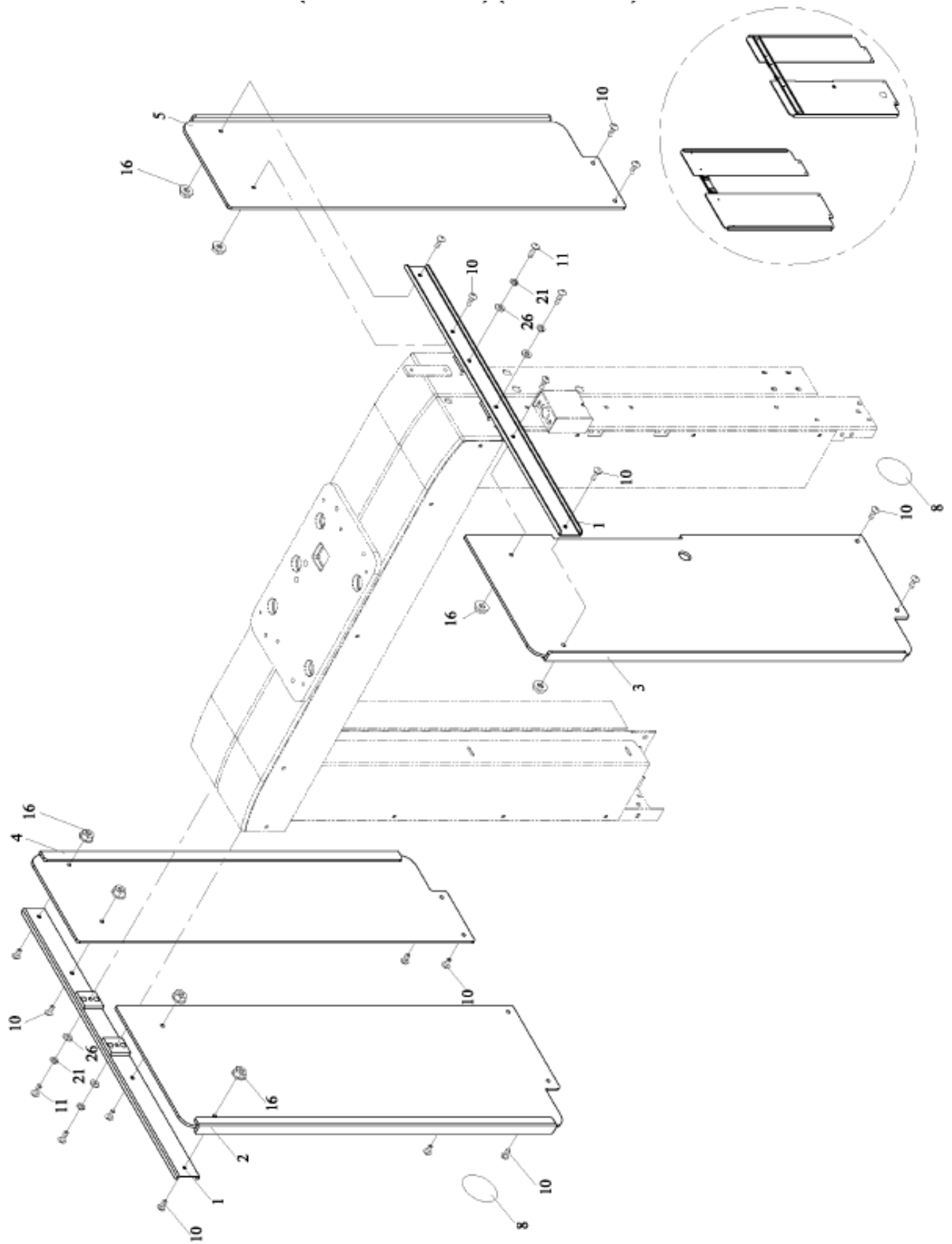
2-4-2

CONNECTING ROD GROUP
(For TP-702P, 1250W/1650W)

M7-2-40000

REF. NO.	PART NO.	DESCRIPTION	Q'TY	POLYCHEM PART #
1	M7-2-401100	Bracket	2	X
2	M7-2-401200	Connecting Rod	1	X
3	M7-2-401300	Connector	2	X
4	M7-2-401400	Slant Block	1	X
9	TC-025	Spring	1	191524
10	H42-1227	Washer	2	205661
11	T7-2-20560	Swivel Head, NHS06	2	X
16	MB1512	Metal Bushing, 1512	2	X
22	HBS0620N	HBS, M6×20 (N)	7	191726
24	HBS0630N	HBS, M6×30 (N)	1	191779
25	HBS0635HN	HBS, M6×35 (H)(N)	2	X
29	HN06	HN, M6	6	191611
30	NTE06	NTE, M6	2	X
33	SW06	SW, M6	10	191562
36	PW06A	PW, M6 (A)	2	191612
37	PW06C	PW, M6 (C)	6	191516

**SAFETYMASK GROUP
(For TP-702P)(OPTION)**

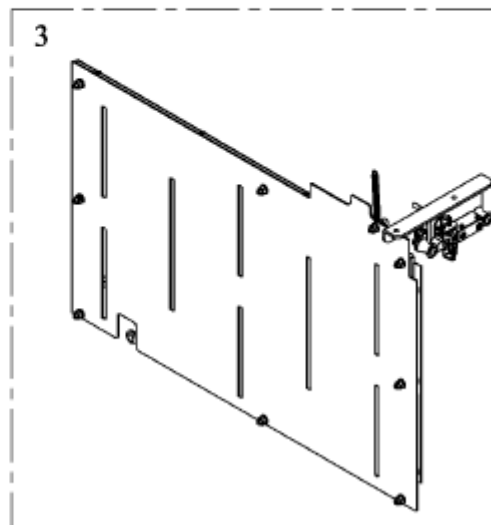
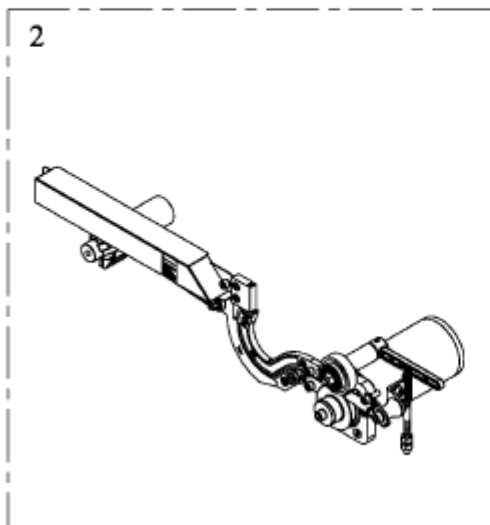
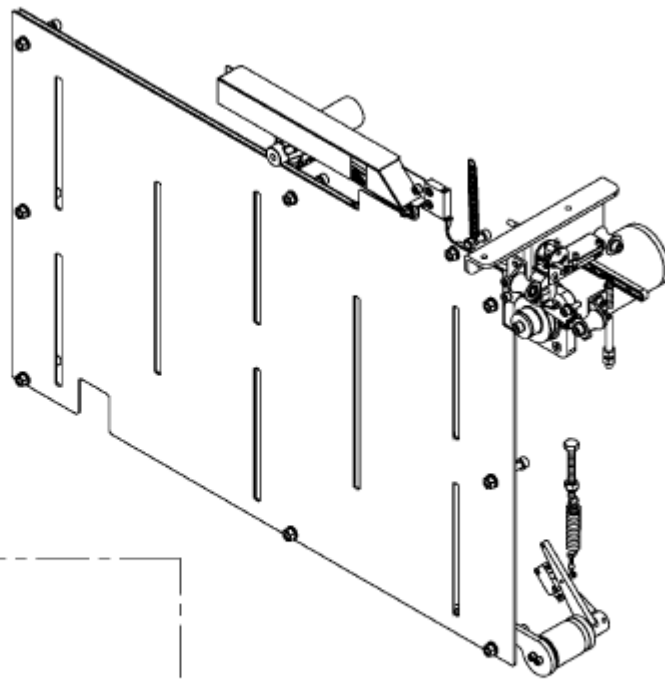


2-5

**SAFETY MASK GROUP
(For TP-702P)(OPTION)**

M7-2-500000

REF. NO.	PART NO.	DESCRIPTION	Q'TY	POLYCHEM PART #
	M7-2-500000	Safety Mask Group (For TP-702P)(Option)	1	
	M7-2-500000S	Safety Mask Group (Stainless Steel Model) (For TP-702P)(Option)	1	
1	M7-2-501100	Fixed Plate	2	
	M7-2-501100S	Fixed Plate (Stainless Steel Model)	2	
2	M7-2-501200	Safety Mask, Front Left	1	
3	M7-2-501300	Safety Mask, Front Right	1	
4	M7-2-501400	Safety Mask, Rear Left	1	
5	M7-2-501500	Safety Mask, Rear Right	1	
8	LA-40160	Label	2	
10	THS0512N	THS, M5×12 (N)	16	
	THS0512S	THS, M5×12 (Stainless Steel Model)	16	
11	THS0516N	THS, M5×16 (N)	4	
	THS0516S	THS, M5×16 (Stainless Steel Model)	4	
16	FLG05	FLG, M5	8	
	FLG05S	FLG, M5 (Stainless Steel Model)	8	
21	SW05	SW, M5	4	
	SW05S	SW, M5 (Stainless Steel Model)	4	
26	PW05	PW, M5	4	
	PW05S	PW, M5 (Stainless Steel Model)	4	



REF. NO.	PART NO.	DESCRIPTION	Q'TY	POLYCHEM PART #
	M7-3-900032	Accumulator Unit (For TP-702P, 5-6mm, 650W~1050W)	1	
	M7-3-900032S	Accumulator Unit (Stainless Steel Model) (For TP-702P, 5-6mm, 650W~1050W)	1	
	M7-3-900042	Accumulator Unit (For TP-702P, 9mm, 650W~1050W)	1	
	M7-3-900042S	Accumulator Unit (Stainless Steel Model) (For TP-702P, 9mm, 650W~1050W)	1	
	M7-3-900054	Accumulator Unit (For TP-702P, 5-6mm, 1250W/1650W)	1	
	M7-3-900054S	Accumulator Unit (Stainless Steel Model) (For TP-702P, 5-6mm, 1250W/1650W)	1	
	M7-3-900064	Accumulator Unit (For TP-702P, 9mm, 1250W/1650W)	1	
	M7-3-900064S	Accumulator Unit (Stainless Steel Model) (For TP-702P, 9mm, 1250W/1650W)	1	
	M7-3-900091	Accumulator Unit (For TP-702RS, 5-6mm)	1	
	M7-3-900101	Accumulator Unit (For TP-702RS, 9mm)	1	
1	M7-3-100000	Strap Amount Control Group (For TP-702P, 5-6mm, 650W~1050W/TP-702RS)	1	SEE PAGE C77
	M7-3-100010	Strap Amount Control Group (For TP-702P, 9mm, 650W~1050W/TP-702RS)	1	
	M7-3-100030	Strap Amount Control Group (For TP-702P, 5-6mm, 1250W/1650W)	1	
	M7-3-100040	Strap Amount Control Group (For TP-702P, 9mm, 1250W/1650W)	1	
2	M7-3-200001	Auto Strap Feeding Group (For TP-702P, 5-6mm, 650W~1050W/TP-702RS)	1	SEE PAGE C79
	M7-3-200011	Auto Strap Feeding Group (For TP-702P, 9mm, 650W~1050W/TP-702RS)	1	
	M7-3-200032	Auto Strap Feeding Group (For TP-702P, 5-6mm, 1250W/1650W)	1	
	M7-3-200042	Auto Strap Feeding Group (For TP-702P, 9mm, 1250W/1650W)	1	
3	M7-3-300032	Accumulator Box Group (For TP-702P, 5-6mm, 650W~1050W)	1	SEE PAGE C91
	M7-3-300032S	Accumulator Box Group (Stainless Steel Model)(For TP-702P, 5-6mm, 650W~1050W)	1	
	M7-3-300042	Accumulator Box Group (For TP-702P, 9mm, 650W~1050W)	1	
	M7-3-300042S	Accumulator Box Group (Stainless Steel Model)(For TP-702P, 9mm, 650W~1050W)	1	

REF. NO.	PART NO.	DESCRIPTION	Q'TY	POLYCHEM PART #
	M7-3-300053	Accumulator Box Group (For TP-702P, 5-6mm, 1250W/1650W)	1	SEE PAGE C95
	M7-3-300053S	Accumulator Box Group (Stainless Steel Model)(For TP-702P, 5-6mm, 1250W/1650W)	1	
	M7-3-300063	Accumulator Box Group (For TP-702P, 9mm, 1250W/1650W)	1	
	M7-3-300063S	Accumulator Box Group (Stainless Steel Model)(For TP-702P, 9mm, 1250W/1650W)	1	
	M7-3-300002	Accumulator Box Group (For TP-702RS, 5-6mm)	1	SEE PAGE C91
	M7-3-300012	Accumulator Box Group (For TP-702RS, 9mm)	1	

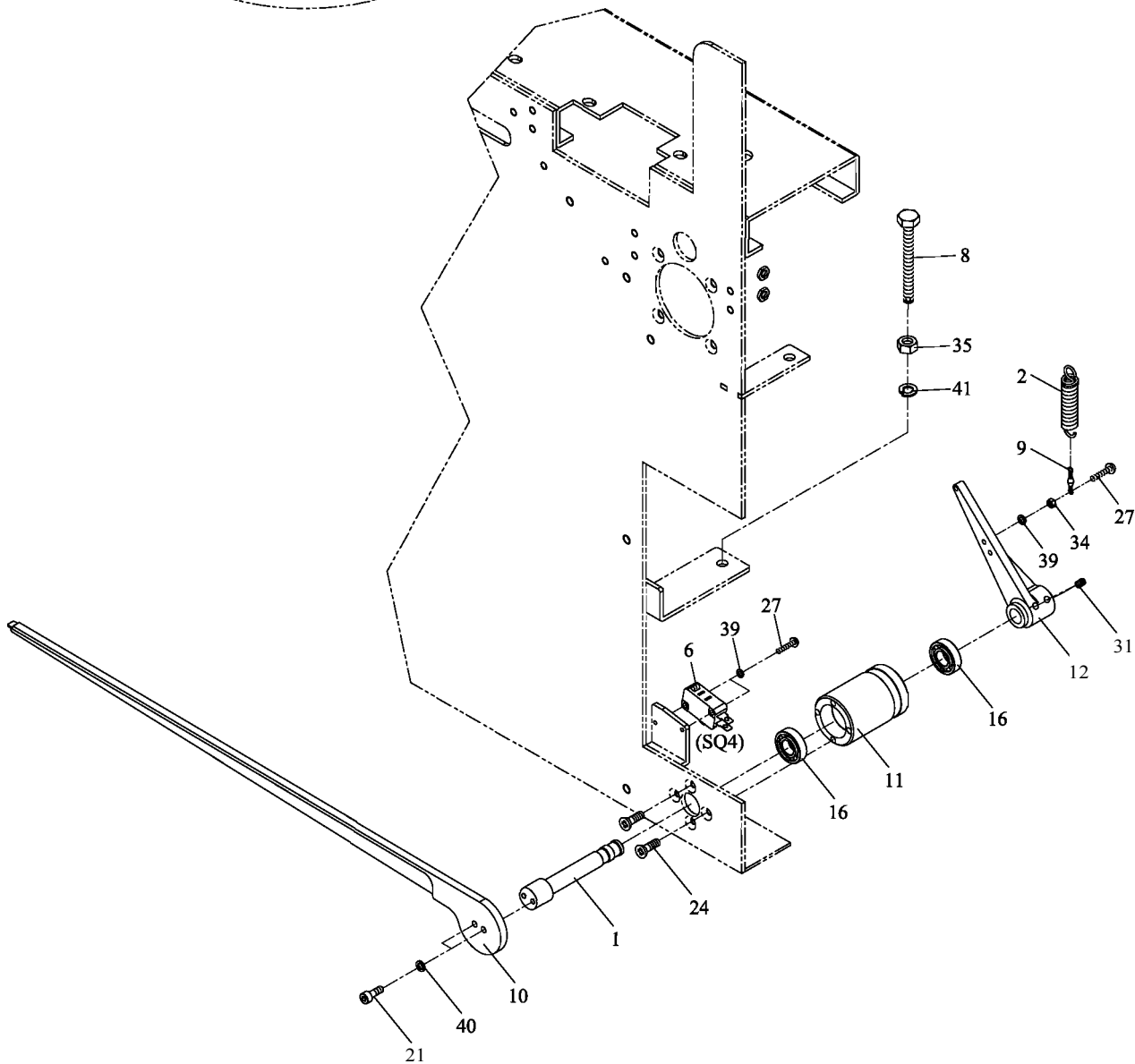
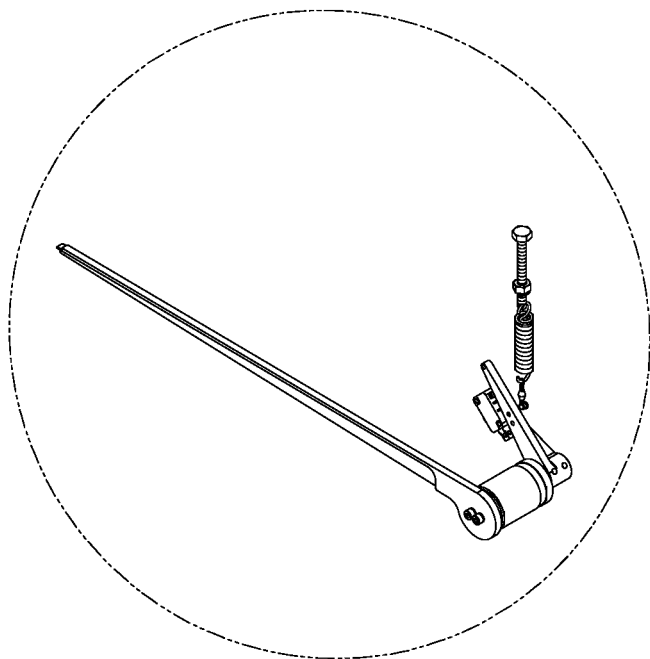


3-1

STRAP AMOUNT CONTROL GROUP

M7-3-100000

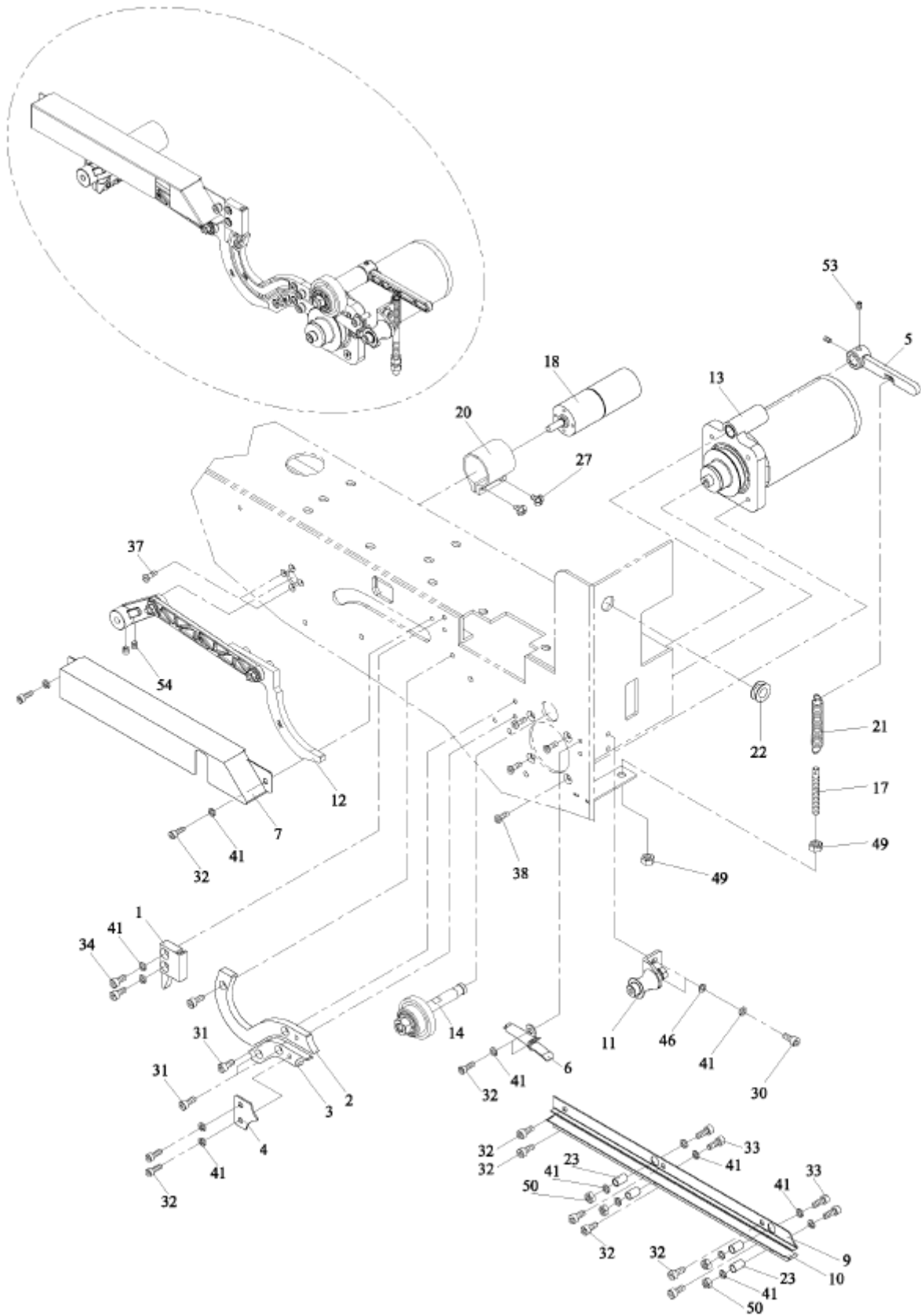
M7-3-100010



3-1

STRAP AMOUNT CONTROL GROUP M7-3-100000
M7-3-100010

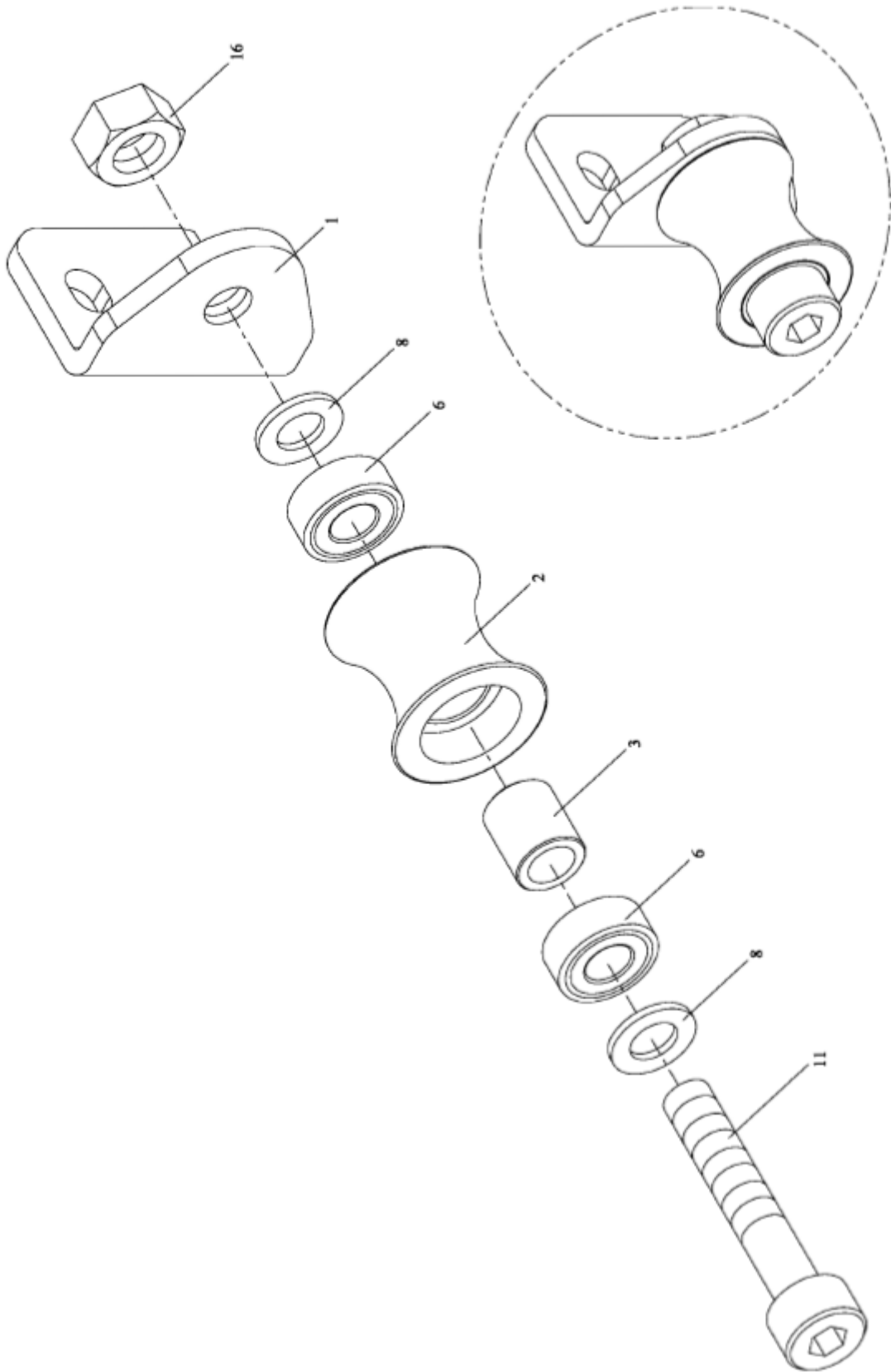
REF. NO.	PART NO.	DESCRIPTION	Q'TY	POLYCHEM PART #
	M7-3-100000	Strap Amount Control Group (For TP-702P, 5-6mm, 650W~1050W/TP-702RS)	1	X
	M7-3-100010	Strap Amount Control Group (For TP-702P, 9mm, 650W~1050W/TP-702RS)	1	X
	M7-3-100030	Strap Amount Control Group (For TP-702P, 5-6mm, 1250W/1650W)	1	X
	M7-3-100040	Strap Amount Control Group (For TP-702P, 9mm, 1250W/1650W)	1	X
1	T7-3-10150	Shaft	1	X
2	M7-3-101200	Spring	1	191523
6	TF-007	Micro Switch	1	191481
8	T6-3-10130	Accumulator Adjusting Bolt	1	X
9	T6-3-10200	Twist Stopper	1	191703
10	T7-3-10140	Balance Bar (For TP-702P, 5-6mm, 650W~1050W/TP-702RS)	1	X
	T7-3-10141	Balance Bar (For TP-702P, 9mm, 650W~1050W/TP-702RS)	1	203682
	M7-3-101310	Balance Bar (For TP-702P, 5-6mm, 1250W/1650W)	1	X
	M7-3-101320	Balance Bar (For TP-702P, 9mm, 1250W/1650W)	1	X
11	T7-3-10180	Tube	1	X
12	T7-3-10200	Sensor Lever	1	202742
16	BR6900ZZ	Bearing, 6900ZZ	2	197996
21	HBS0412N	HBS, M4×12 (N)	2	191642
24	FMS0410N	FMS, M4×10 (N)	4	191786
27	PMS0316	PMS, M3×16	3	X
31	HSS0405GN	HSS, M4×5 (G)(N)	2	X
34	HN03	HN, M3	1	X
35	HN08	HN, M8	1	187490
39	SW03	SW, M3	3	191590
40	SW04	SW, M4	2	X
41	SW08	SW, M8	1	191759



REF. NO.	PART NO.	DESCRIPTION	Q'TY	POLYCHEM PART #
	M7-3-200001	Auto Strap Feeding Group (For TP-702P, 5-6mm, 650W~1050W/TP-702RS)	1	X
	M7-3-200011	Auto Strap Feeding Group (For TP-702P, 9mm, 650W~1050W/TP-702RS)	1	X
	M7-3-200032	Auto Strap Feeding Group (For TP-702P, 5-6mm, 1250W/1650W)	1	X
	M7-3-200042	Auto Strap Feeding Group (For TP-702P, 9mm, 1250W/1650W)	1	X
1	M7-3-201100	Guide Block (For 5-6mm)	1	X
	M7-3-201110	Guide Block (For 9mm)	1	204619
2	M7-3-201200	Upper Strap Guide (For 5-6mm)	1	191521
	M7-3-201210	Upper Strap Guide (For 9mm)	1	204991
3	M7-3-201300	Lower Strap Guide (For 5-6mm)	1	X
	M7-3-201310	Lower Strap Guide (For 9mm)	1	204990
4	M7-3-201400	Strap Guide Cover (For TP-702P, 650W~1050W/TP-702RS)	1	204993
	M7-3-201420	Strap Guide Cover (For TP-702P, 1250W/1650W)	1	X
5	M7-3-201500	Lever	1	X
6	M7-3-201601	Inlet Guide (For 5-6mm)	1	X
	M7-3-201611	Inlet Guide (For 9mm)	1	205494
7	M7-3-201700	Cover	1	X
9	M7-3-201901	Inlet Strap Guide Center Upper (For TP-702P, 5-6mm, 1250W/1650W)	1	X
	M7-3-201911	Inlet Strap Guide Center Upper (For TP-702P, 9mm, 1250W/1650W)	1	X
10	M7-3-202001	Inlet Strap Guide Center Lower (For TP-702P, 5-6mm, 1250W/1650W)	1	X
	M7-3-202011	Inlet Strap Guide Center Lower (For TP-702P, 9mm, 1250W/1650W)	1	X
11	M7-3-210001	Roller Ass'y	1	(SEE PG. C83)191750
12	M7-3-220000	Movable Strap Guide Ass'y (For 5-6mm)	1	(SEE PG. C85) X
	M7-3-220010	Movable Strap Guide Ass'y (For 9mm)	1	204992
13	M7-3-230000	M4 Motor Ass'y (For 5-6mm)	1	(SEE PG. C87)198849
	M7-3-230010	M4 Motor Ass'y (For 9mm)	1	198850
14	T7-3-20080	Assistant Roller Shaft Ass'y (For 5-6mm)	1	(SEE PG. C89)X
	T7-3-20081	Assistant Roller Shaft Ass'y (For 9mm)	1	203070

REF. NO.	PART NO.	DESCRIPTION	Q'TY	POLYCHEM PART #
17	M7-1-331500	Spring Hook	1	X
18	T6-1-61211	Motor (M5)	1	191501
20	T6-8-10410	Motor Cover	1	X
21	T7-1-70280	Spring	1	191806
22	T5-4-10580	Grommet	1	191803
23	MCO-A-0600680	Spacer (For TP-702P, 5-6mm, 1250W/1650W)	4	X
	MCO-A-0601200	Spacer (For TP-702P, 9mm, 1250W/1650W)	4	X
27	TMS0408N	TMS, M4×8 (N)	2	191648
30	HBS0516N	HBS, M5×16 (N)	2	191700
31	HBS0508N	HBS, M5×8 (N)(For TP-702P, 5-6mm, TP-702RS)	4	202943
	HBS0512N	HBS, M5×12 (N)(For TP-702P, 9mm, TP-702RS)	4	190848
32	HBS0508N	HBS, M5×8 (N)(For TP-702P, 650W~1050W/TP-702RS)	6	202943
		HBS, M5×8 (N)(For TP-702P, 1250W/1650W)	12	
33	HBS0520N	HBS, M5×20(N)(For TP-702P, 5-6mm, 1250W/1650W)	4	191665
	HBS0525N	HBS, M5×25(N)(For TP-702P, 9mm, 1250W/1650W)	4	X
34	HBS0510N	HBS, M5×10 (N)	2	X
37	FMS0410N	FMS, M4×10 (N)	4	191786
38	FMS0512	FMS, M5×12	4	205391
41	SW05	SW, M5 (For TP-702P, 650W~1050W/TP-702RS)	10	191577
		SW, M5 (For TP-702P, 1250W/1650W)	14	
46	PW05	PW, M5	2	191578
49	HN06	HN, M6	2	191611
50	HN05	HN, M5 (For TP-702P, 1250W/1650W)	4	187478
53	HSS0506GN	HSS, M5×6 (G)(N)	2	191584
54	HSS0508GN	HSS, M5×8 (G)(N)	2	X





3-2-1**ROLLER ASS'Y****M7-3-210001**

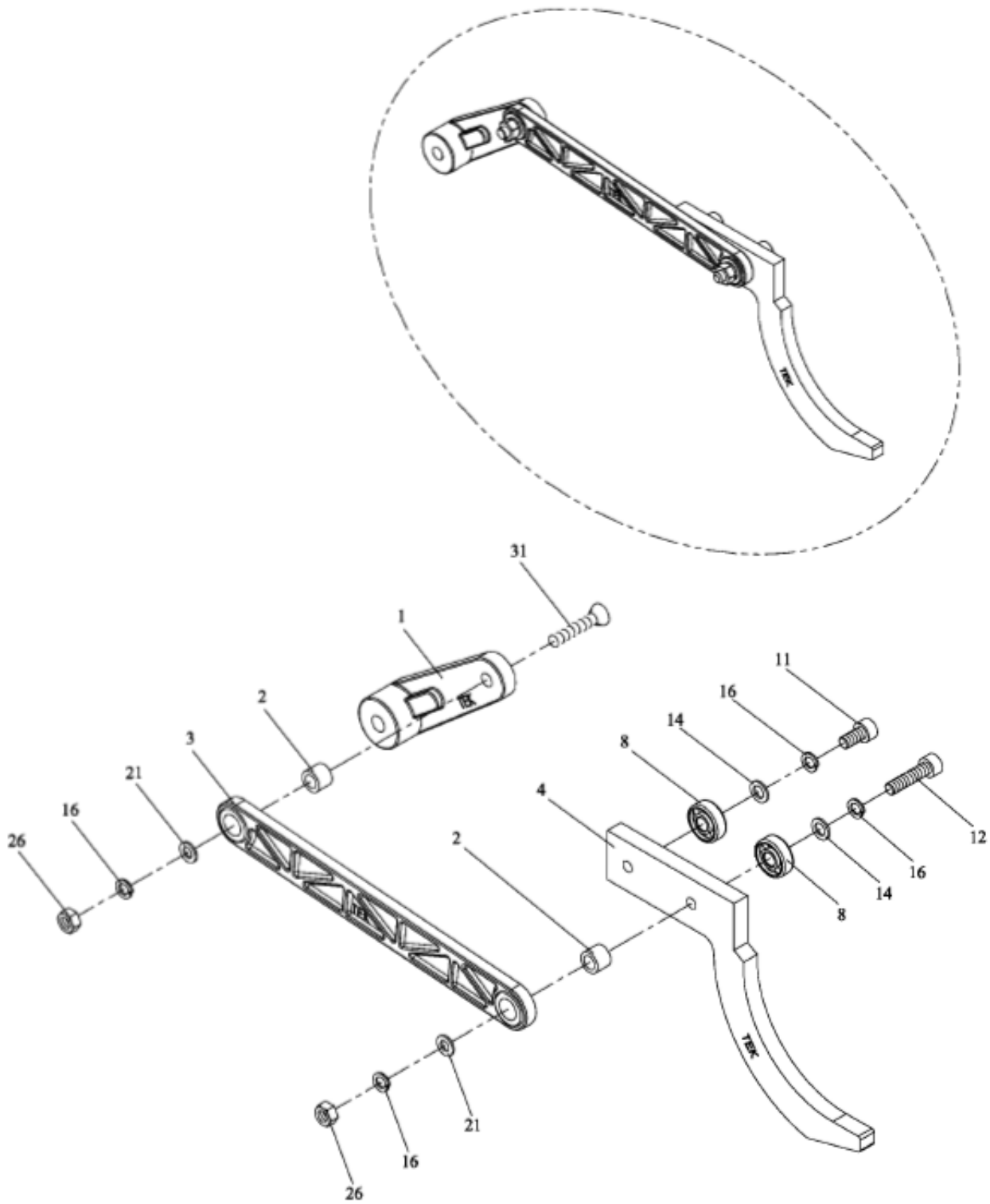
REF. NO.	PART NO.	DESCRIPTION	Q'TY	POLYCHEM PART #
1	M7-3-211101	Bracket	1	X
2	M7-3-211200	Roller	1	204310
3	M7-3-211300	Collar	1	204295
6	BR686ZZ	Bearing, 686ZZ	2	191598
8	H44-10950	Washer	2	X
11	HBS0630HN	HBS, M6×30 (H)(N)	1	X
16	HN06	HN, M6	1	191611

3-2-2

MOVABLE STRAP GUIDE ASS'Y

M7-3-220000

M7-3-220010



3-2-2

MOVABLE STRAP GUIDE ASS'Y

M7-3-220000

M7-3-220010

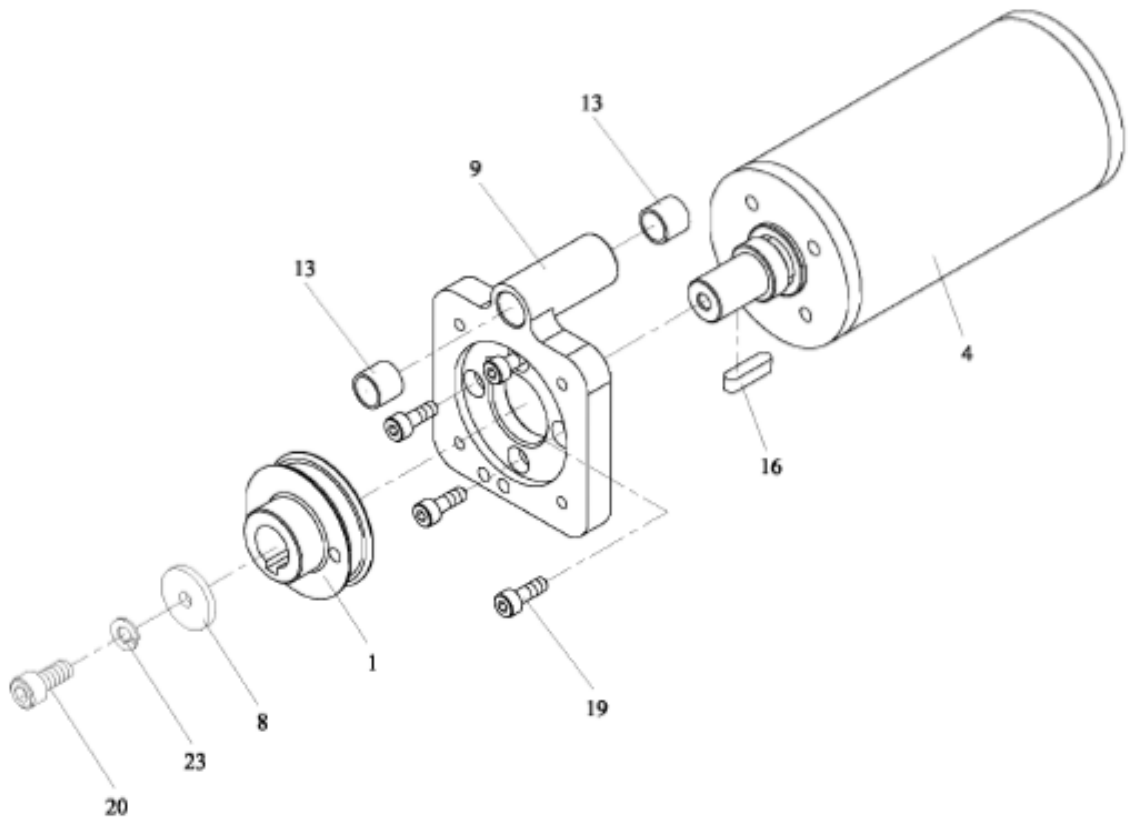
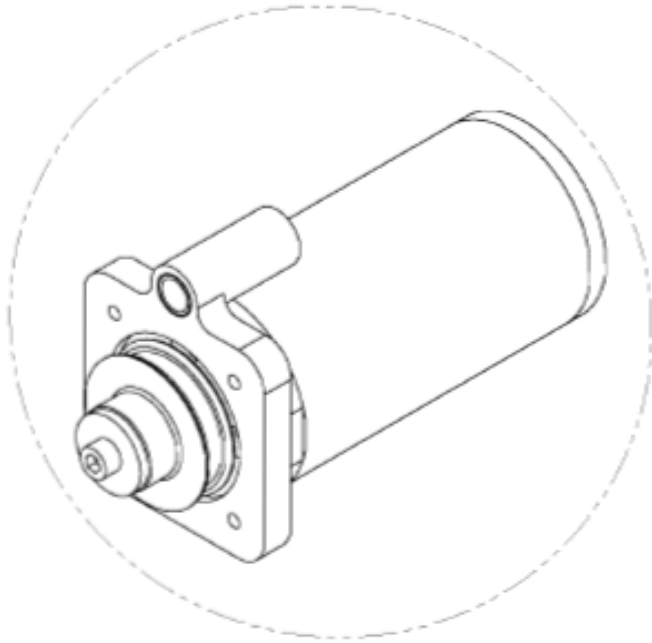
REF. NO.	PART NO.	DESCRIPTION	Q'TY	POLYCHEM PART #
	M7-3-220000	Movable Strap Guide Ass'y (For 5-6mm)	1	X
	M7-3-220010	Movable Strap Guide Ass'y (For 9mm)	1	204992
1	M7-3-221101	Rotary Arm	1	X
2	M7-3-221200	Spacer	2	X
3	M7-3-221300	Link	1	X
4	M7-3-221400	Movable Strap Guide (For 5-6mm)	1	X
	M7-3-221410	Movable Strap Guide (For 9mm)	1	X
8	BR605ZZ	Bearing, 605ZZ	2	190823
11	HBS0510N	HBS, M5×10 (N)	1	X
12	HBS0525N	HBS, M5×25 (N)	1	X
14	H44-10950	Washer	2	X
16	SW05	SW, M5	4	191577
21	PW05	PW, M5	2	191578
26	HN05	HN, M5	2	187478
31	FMS0520	FMS, M5×20	1	X

3-2-3

M4 MOTOR ASS'Y

M7-3-230000

M7-3-230010



3-2-3**M4 MOTOR ASS'Y****M7-3-230000****M7-3-230010**

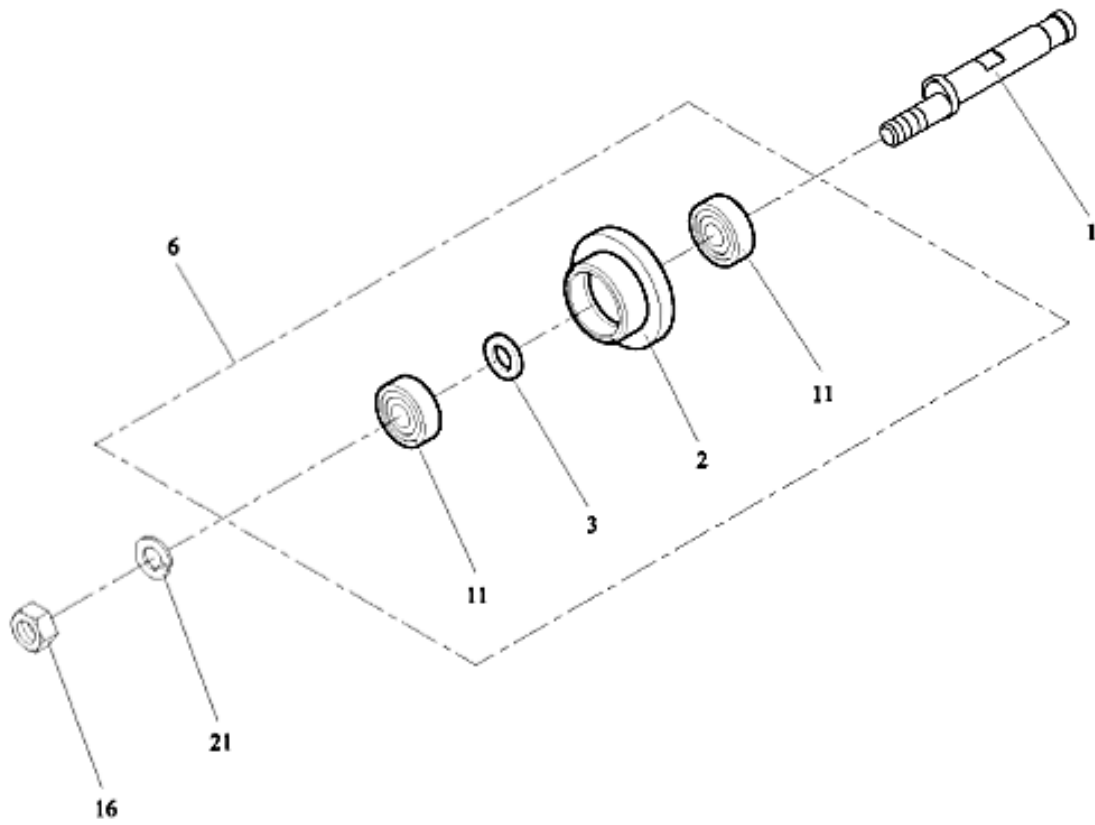
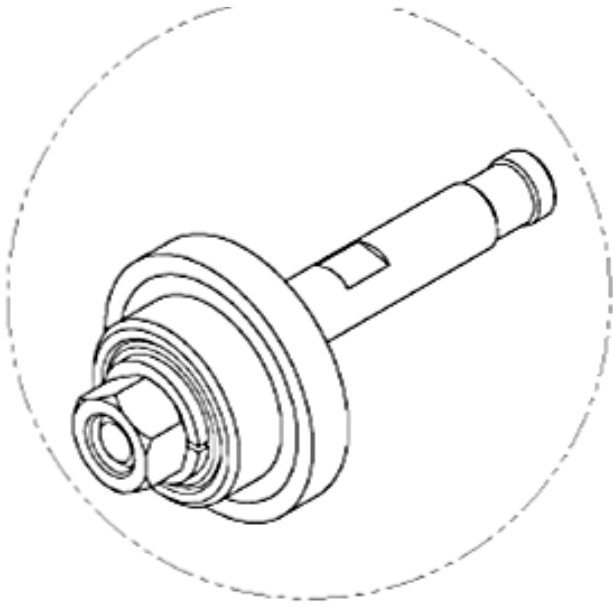
REF. NO.	PART NO.	DESCRIPTION	Q'TY	POLYCHEM PART #
1	M7-3-230000	M4 Motor Ass'y (For 5-6mm)	1	198849
	M7-3-230010	M4 Motor Ass'y (For 9mm)	1	198850
	M7-3-231100	Accumulator Main Roller (For 5-6mm)	1	191547
	M7-3-231110	Accumulator Main Roller (For 9mm)	1	191548
4	M7-3-230100	M4 Motor Set	1	191538
8	TB-223	Washer	1	X
9	T7-3-20110	Motor Support	1	191567
13	MB1010	Metal Bushing, 1010	2	191568
16	KYA050515	Key, 5×5×15	1	X
19	HBS0512N	HBS, M5×12 (N)	4	190848
20	HBS0612N	HBS, M6×12 (N)	1	191563
23	SW06	SW, M6	1	191562

3-2-4

ASSISTANT ROLLER SHAFT ASS'Y

T7-3-20080

T7-3-20081

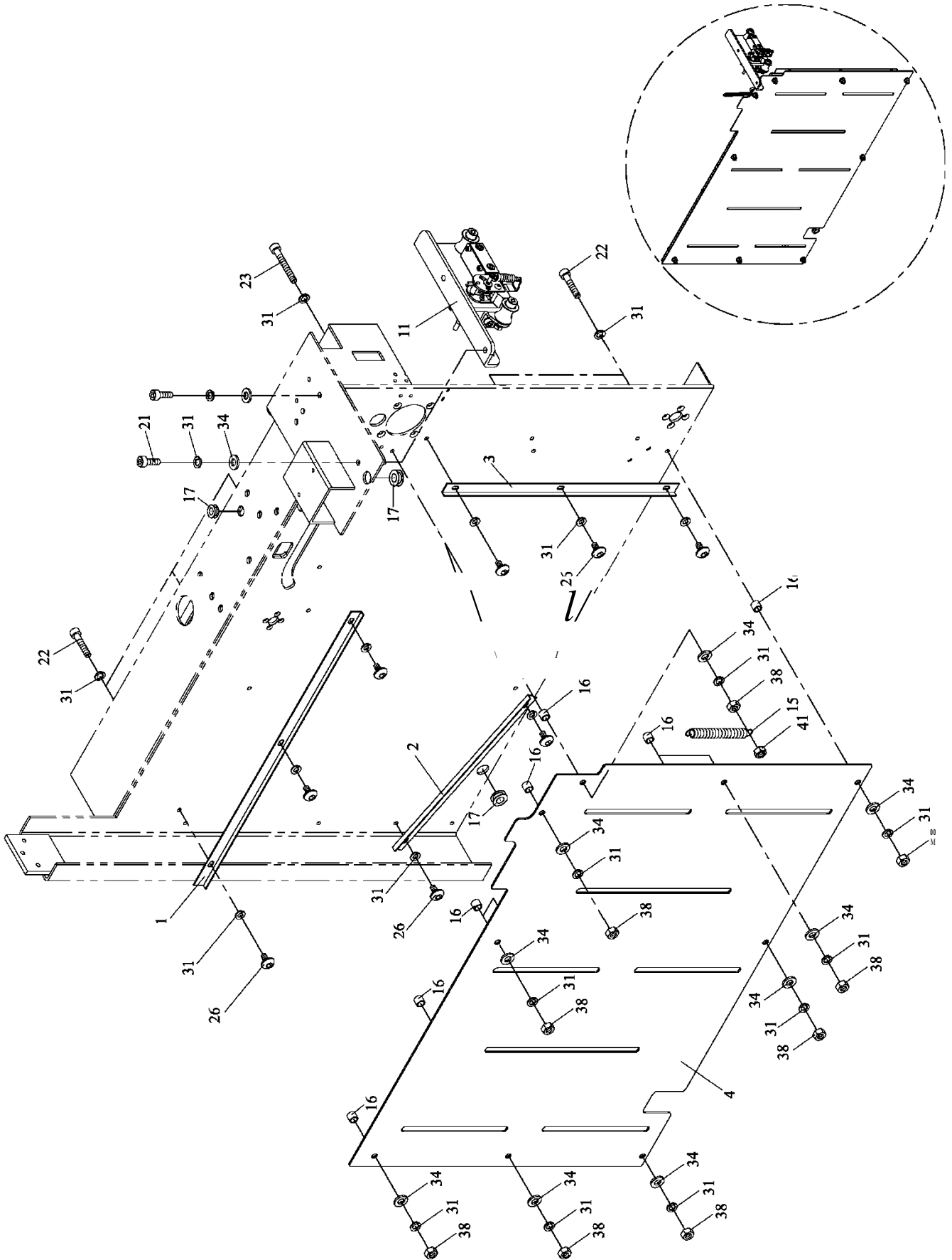


3-2-4**ASSISTANT ROLLER SHAFT ASS'Y****T7-3-20080****T7-3-20081**

REF. NO.	PART NO.	DESCRIPTION	Q'TY	POLYCHEM PART #
1	T7-3-20080	Assistant Roller Shaft Ass'y (For 5-6mm)	1	X
	T7-3-20081	Assistant Roller Shaft Ass'y (For 9mm)	1	203070
	T7-3-20150	Shaft	1	X
	T7-3-20160	Assistant Roller (For 5-6mm)	1	203624
	T7-3-20162	Assistant Roller (For 9mm)	1	191625
3	T7-3-20200	Spacer	1	191755
6	T7-3-20100	Assistant Roller Ass'y (For 5-6mm)	1	191588
	T7-3-20101	Assistant Roller Ass'y (For 9mm)	1	191594
11	BR608ZZ	Bearing, 608ZZ	2	187783
16	HN08	HN, M8	1	187490
21	SW08	SW, M8	1	191759

3-3
a.

ACCUMULATOR BOX GROUP M7-3-300032 (For TP-702P, 650W~1050W/TP-702RS) M7-3-300042



3-3

ACCUMULATOR BOX GROUP

M7-3-300032

a.

(For TP-702P, 650W~1050W/TP-702RS) M7-3-300042

REF. NO.	PART NO.	DESCRIPTION	Q'TY	POLYCHEM PART #
	M7-3-300032	Accumulator Box Group (For TP-702P, 5-6mm, 650W~1050W)	1	
	M7-3-300032S	Accumulator Box Group (Stainless Steel Model)(For TP-702P, 5-6mm, 650W~1050W)	1	
	M7-3-300042	Accumulator Box Group (For TP-702P, 9mm, 650W~1050W)	1	
	M7-3-300042S	Accumulator Box Group (Stainless Steel Model)(For TP-702P, 9mm, 650W~1050W)	1	
	M7-3-300002	Accumulator Box Group (For TP-702RS, 5-6mm)	1	
	M7-3-300012	Accumulator Box Group (For TP-702RS, 9mm)	1	
1	M7-3-301120	Enclosed Plate (For TP-702P, 5-6mm, 650W~1050W)	1	
	M7-3-301130	Enclosed Plate (For TP-702P, 9mm, 650W~1050W)	1	
	M7-3-301100	Enclosed Plate (For TP-702RS, 5-6mm)	1	
	M7-3-301110	Enclosed Plate (For TP-702RS, 9mm)	1	
2	M7-3-301220	Enclosed Plate (For TP-702P, 5-6mm, 650W~1050W)	1	
	M7-3-301230	Enclosed Plate (For TP-702P, 9mm, 650W~1050W)	1	
	M7-3-301200	Enclosed Plate (For TP-702RS, 5-6mm)	1	
	M7-3-301210	Enclosed Plate (For TP-702RS, 9mm)	1	
3	M7-3-301300	Enclosed Plate (For 5-6mm)	1	
	M7-3-301310	Enclosed Plate (For 9mm)	1	
4	M7-3-301410	Accumulator Box Cover (For TP-702P, 650W~1050W)	1	
	M7-3-301410S	Accumulator Box Cover (Stainless Steel Model)(For TP-702P, 650W~1050W)	1	
	M7-3-301400	Accumulator Box Cover (For TP-702RS)	1	
11	M7-3-310003	Auto Strap Ejecting Ass'y (For 5-6mm)	1	SEE PAGE C97
	M7-3-310012	Auto Strap Ejecting Ass'y (For 9mm)	1	
15	TC-025	Spring	1	
16	T7-3-10260	Collar (For TP-702P, 5-6mm, 650W~1050W)	11	
		Collar (For TP-702RS, 5-6mm)	9	
	T7-3-10262	Collar (For TP-702P, 9mm, 650W~1050W)	11	
		Collar (For TP-702RS, 9mm)	9	
17	T5-4-10580	Grommet	2	
		Grommet (Option)	3	

3-3**ACCUMULATOR BOX GROUP****M7-3-300032****a.****(For TP-702P, 650W~1050W/TP-702RS) M7-3-300042**

REF. NO.	PART NO.	DESCRIPTION	Q'TY	POLYCHEM PART #
21	HBS0612N	HBS, M6×12 (N)	2	
22	HBS0625N	HBS, M6×25 (N)(For TP-702P, 5-6mm, 650W~1050W)	10	
		HBS, M6×25 (N)(For TP-702RS, 5-6mm)	8	
	HBS0630N	HBS, M6×30 (N)(For TP-702P, 9mm, 650W~1050W)	10	
		HBS, M6×30 (N)(For TP-702RS, 9mm)	8	
23	HBS0640N	HBS, M6×40 (N)	1	
26	THS0608N	THS, M6×8 (N)	8	
31	SW06	SW, M6 (For TP-702P, 650W~1050W)	24	
		SW, M6 (For TP-702RS)	20	
34	PW06A	PW, M6 (A)(For TP-702P, 650W~1050W)	14	
		PW, M6 (A)(For TP-702RS)	12	
38	HN06	HN, M6 (For TP-702P, 650W~1050W)	11	
		HN, M6 (For TP-702RS)	9	
41	NTE06	NTE, M6	1	



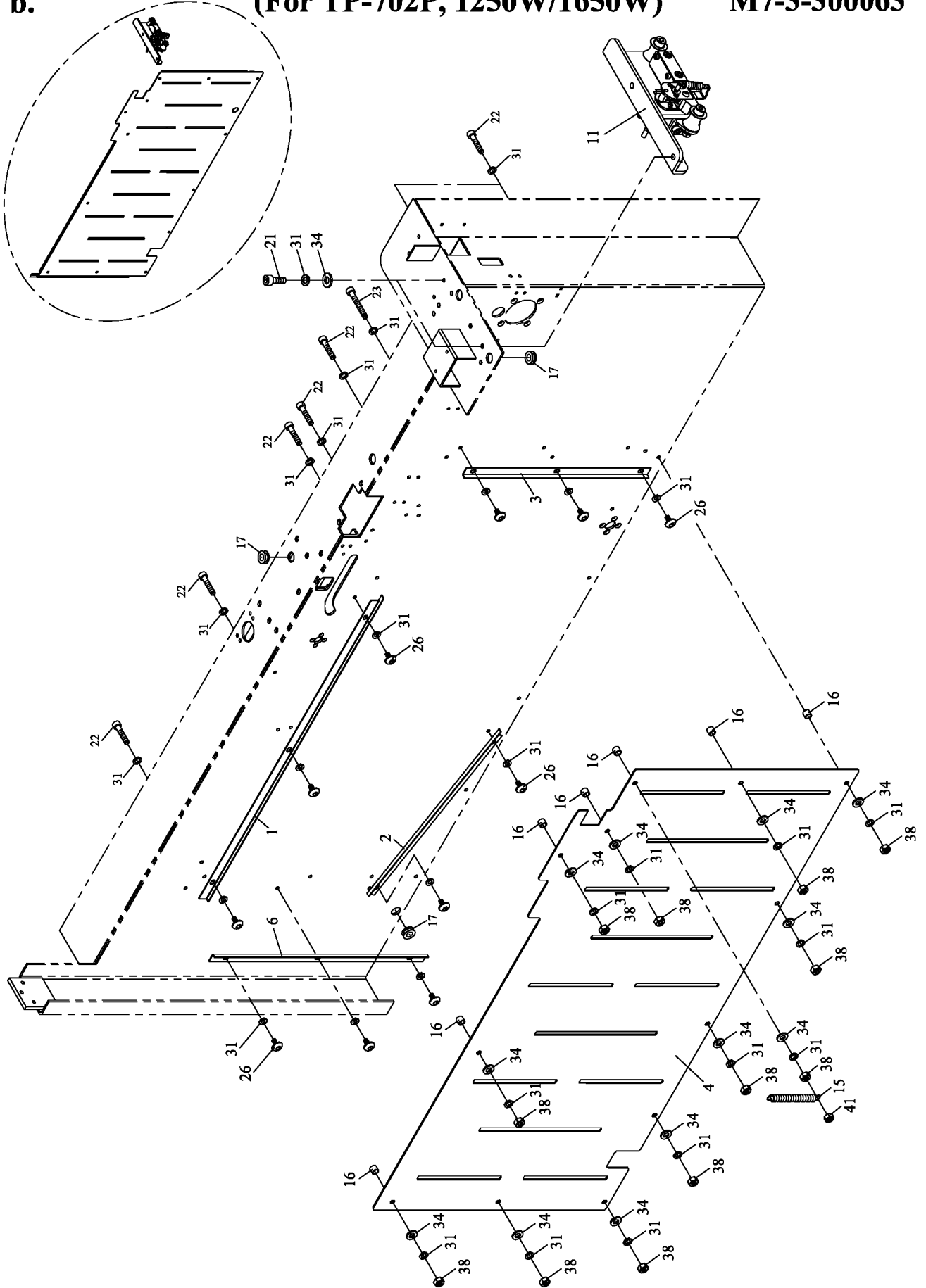
3-3

ACCUMULATOR BOX GROUP (For TP-702P, 1250W/1650W)

M7-3-300053

b.

M7-3-300063

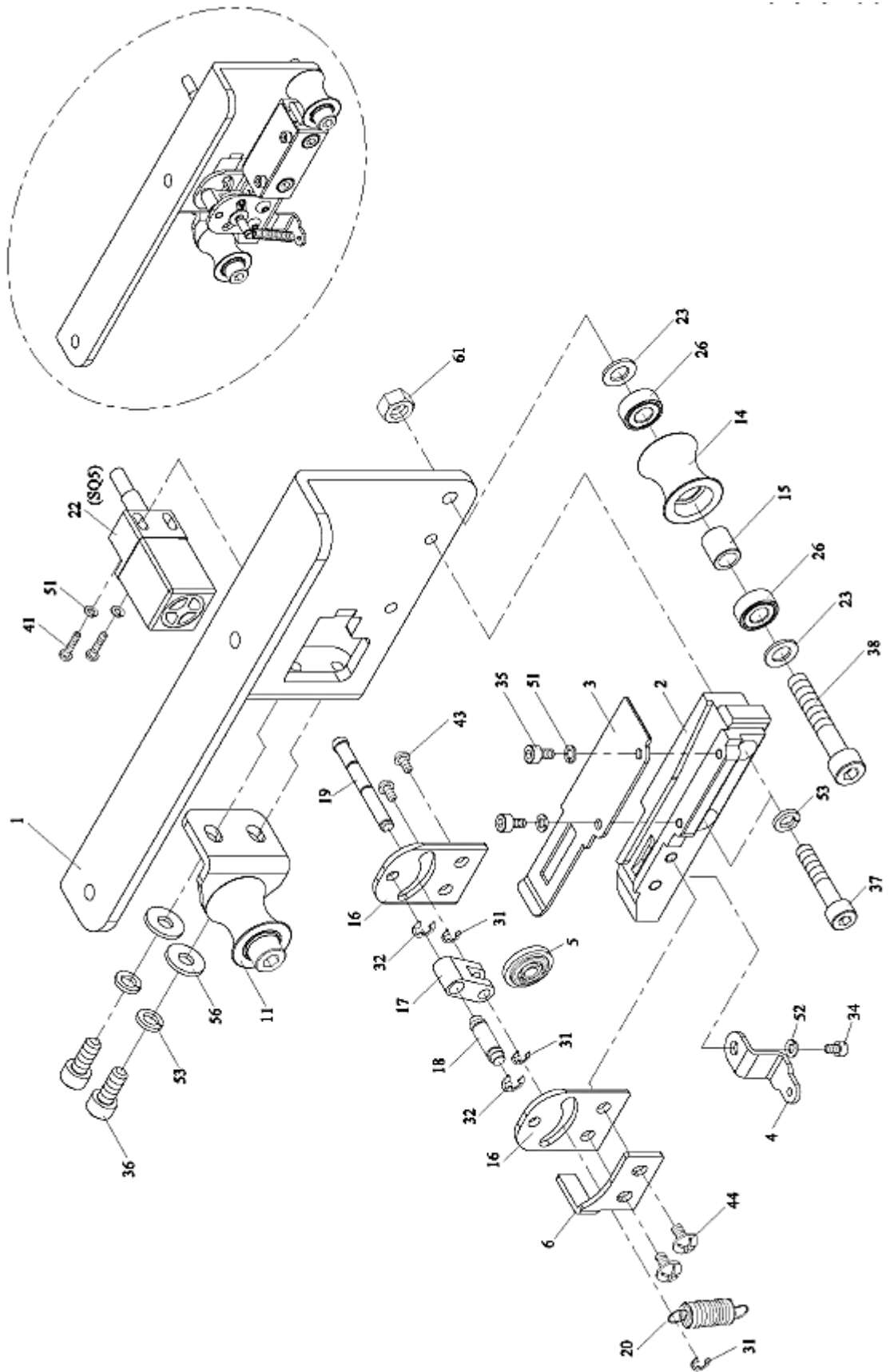


3-3
b.

ACCUMULATOR BOX GROUP
(For TP-702P, 1250W/1650W)

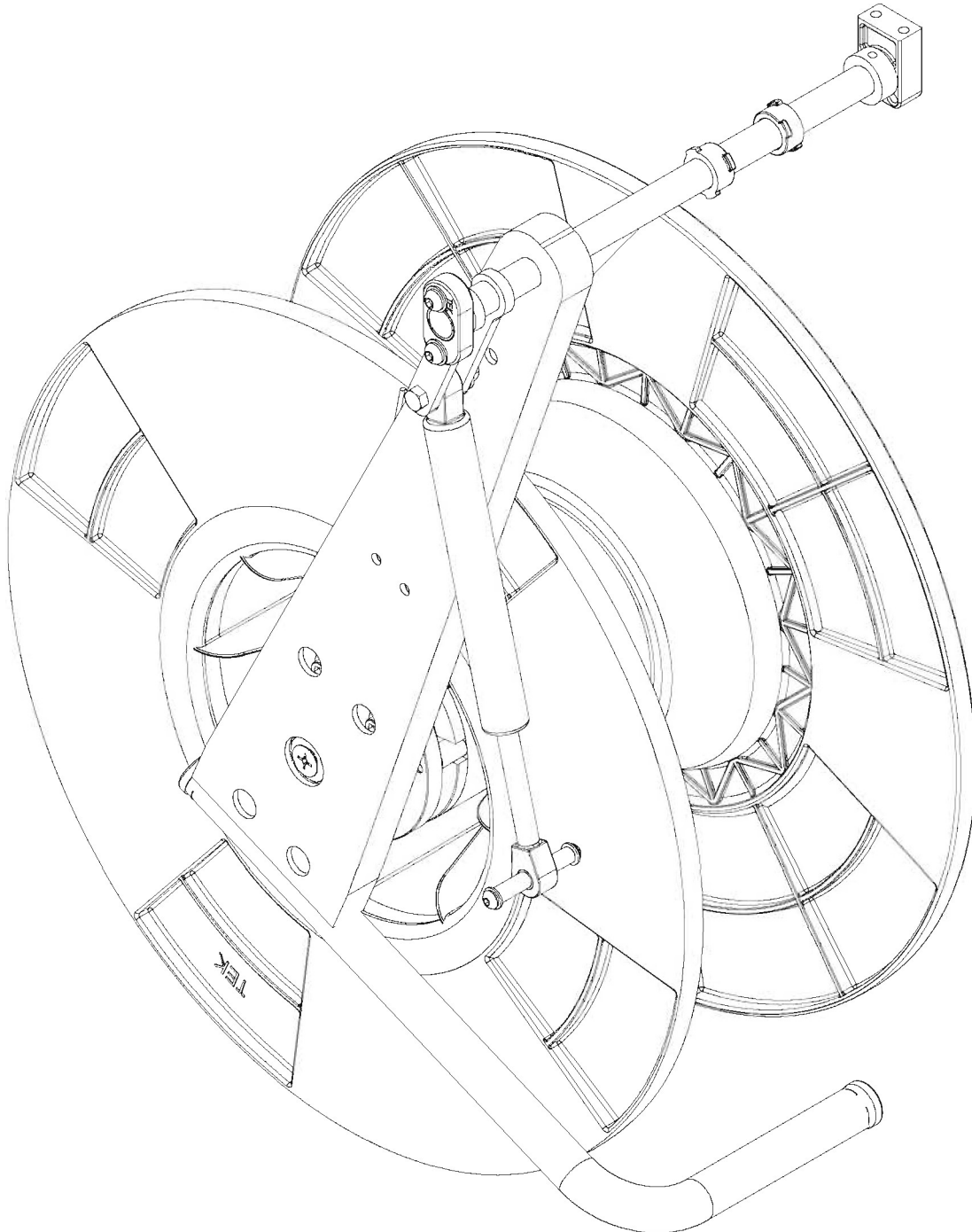
M7-3-300053
M7-3-300063

REF. NO.	PART NO.	DESCRIPTION	Q'TY	POLYCHEM PART #
	M7-3-300053	Accumulator Box Group (For TP-702P, 5-6mm, 1250W/1650W)	1	X
	M7-3-300053S	Accumulator Box Group (Stainless Steel Model)(For TP-702P, 5-6mm, 1250W/1650W)	1	X
	M7-3-300063	Accumulator Box Group (For TP-702P, 9mm, 1250W/1650W)	1	X
	M7-3-300063S	Accumulator Box Group (Stainless Steel Model)(For TP-702P, 9mm, 1250W/1650W)	1	X
1	M7-3-301161	Enclosed Plate (For 5-6mm)	1	X
	M7-3-301171	Enclosed Plate (For 9mm)	1	X
2	M7-3-301261	Enclosed Plate (For 5-6mm)	1	X
	M7-3-301271	Enclosed Plate (For 9mm)	1	X
3	M7-3-301340	Enclosed Plate (For 5-6mm)	1	X
	M7-3-301350	Enclosed Plate (For 9mm)	1	X
4	M7-3-301442	Accumulator Box Cover	1	X
	M7-3-301442S	Accumulator Box Cover (Stainless Steel Model)	1	X
6	M7-3-301600	Enclosed Plate (For 5-6mm)	1	X
	M7-3-301610	Enclosed Plate (For 9mm)	1	X
11	M7-3-310003	Auto Strap Ejecting Ass'y (For 5-6mm)	1	(SEE PG.C97) 191749
	M7-3-310012	Auto Strap Ejecting Ass'y (For 9mm)	1	203829
15	TC-025	Spring	1	191524
16	T7-3-10260	Collar (For 5-6mm)	12	191671
	T7-3-10262	Collar (For 9mm)	12	X
17	T5-4-10580	Grommet	2	198803
		Grommet (Option)	3	
21	HBS0616N	HBS, M6×16 (N)	2	191544
22	HBS0625N	HBS, M6×25 (N)(For 5-6mm)	11	X
	HBS0630N	HBS, M6×30 (N)(For 9mm)	11	191779
23	HBS0640N	HBS, M6×40 (N)	1	188671
26	THS0608N	THS, M6×8 (N)	11	X
31	SW06	SW, M6	35	191562
34	PW06A	PW, M6 (A)	14	191612
38	HN06	HN, M6	12	191611
41	NTE06	NTE, M6	1	X



3-3-1**AUTO STRAP EJECTING ASS'Y****M7-3-310003****M7-3-310012**

REF. NO.	PART NO.	DESCRIPTION	Q'TY	POLYCHEM PART #
	M7-3-310003	Auto Strap Ejecting Ass'y (For 5-6mm)	1	191749
	M7-3-310012	Auto Strap Ejecting Ass'y (For 9mm)	1	203829
1	M7-3-312700	Sensor Bracket	1	X
2	M7-3-312800	Inlet Guide (For 5-6mm)	1	191779
	M7-3-312810	Inlet Guide (For 9mm)	1	X
3	M7-3-312900	Cover	1	191712
4	M7-3-313000	Spring Hook	1	X
5	M7-3-313100	Roller	1	191693
6	M7-3-313400	Cover Protect	1	X
11	M7-3-210001	Roller Ass'y	1	(SEE PG.C83)191750
14	M7-3-211200	Roller	1	204310
15	M7-3-211300	Collar	1	204395
16	M7-3-241300	Sensor Lever Support	2	205151
17	M7-3-241401	Sensor Lever	1	191676
18	M7-3-241500	Shaft	1	191832
19	M7-3-241600	Shaft	1	191833
20	M7-3-313200	Spring	1	191493
22	MV-6-20220	Proximity Sensor (X18)(SQ5)	1	(SEE PG. C163)
23	H44-10950	Washer	2	X
26	BR686ZZ	Bearing, 686ZZ	2	191598
31	ER03	Snap Ring, E-3	3	191618
32	ER04	Snap Ring, E-4	2	191505
34	HBS0408N	HBS, M4×8 (N)	1	191787
35	HBS0306N	HBS, M3×6 (N)	2	191589
36	HBS0512N	HBS, M5×12 (N)	2	190848
37	HBS0525N	HBS, M5×25 (N)	2	X
38	HBS0635N	HBS, M6×35 (N)	1	X
41	PMS0316	PMS, M3×16	2	X
43	TMS0408N	TMS, M4×8 (N)	2	191648
44	TMS0410N	TMS, M4×10 (N)	2	205628
51	SW03	SW, M3	2	191590
52	SW04	SW, M4	1	X
53	SW05	SW, M5	2	191577
56	PW05	PW, M5	2	191578
61	HN06	HN, M6	1	191611

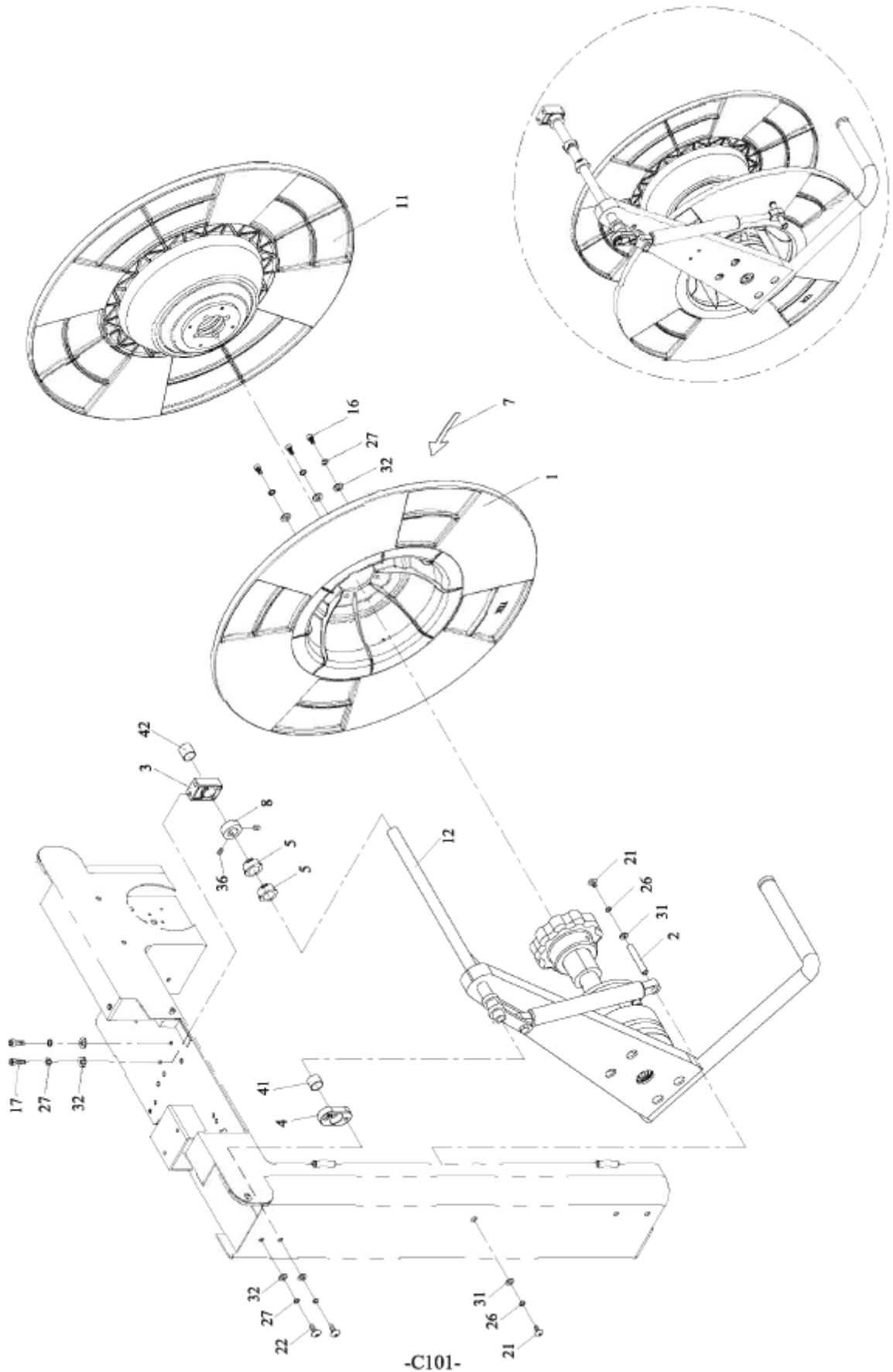


REEL CONTROL GROUP

M7-4-100001

M7-4-100011

REF. NO.	PART NO.	DESCRIPTION	Q'TY	POLYCHEM PART #
	M7-4-100001	Reel Control Group (For 200mm)	1	(SEE PG. C101)204364
	M7-4-100011	Reel Control Group (For 150mm)(Option)	1	X



4-1

REEL CONTROL GROUP

M7-4-100001

M7-4-100011

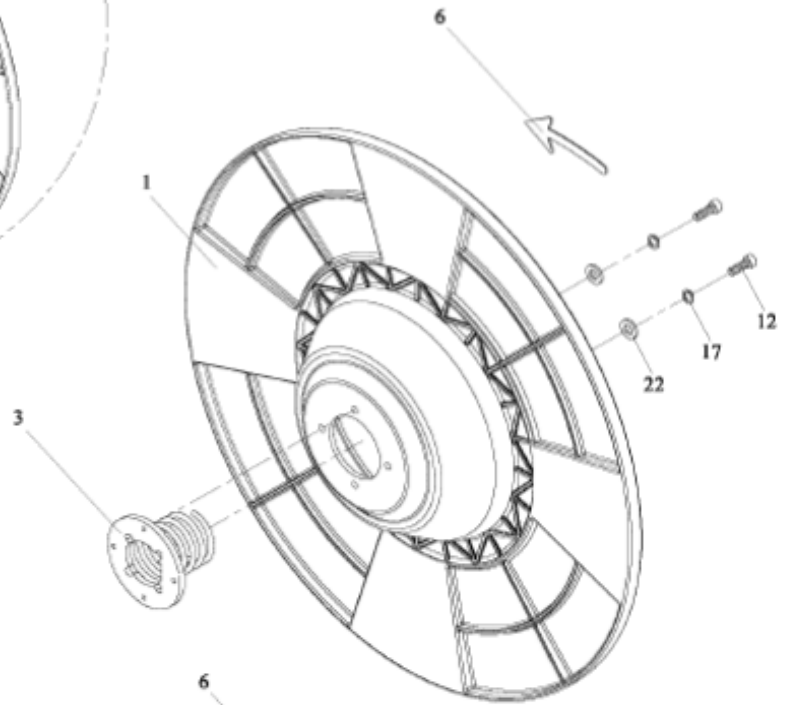
REF. NO.	PART NO.	DESCRIPTION	Q'TY	POLYCHEM PART #
	M7-4-100001	Reel Control Group (For 200mm)	1	204364
	M7-4-100011	Reel Control Group (For 150mm)(Option)	1	X
1	M7-4-101101	Inner Flange (For 200mm)	1	191638
	T7-4-10112	Inner Flange (For 150mm)(Option)	1	X
2	M7-4-101200	Shaft	1	191575
3	M7-4-101301	Base (L)	1	X
4	M7-4-101401	Base (R)	1	191651
5	M7-4-101500	Collar	2	X
7	LA-30240	Label	1	X
8	M7-1-101600	Collar	1	X
11	M7-4-110001	Outer Flange Ass'y (For 200mm)	1	(SEE PG.C103) 191746
	M7-4-110010	Outer Flange Ass'y (For 150mm)(Option)	1	X
12	M7-4-120001	Reel Crank Ass'y (For 200mm)	1	(SEE PG. C105) 191613
	M7-4-120011	Reel Crank Ass'y (For 150mm)(Option)	1	X
16	HBS0610N	HBS, M6×10 (N)	4	X
17	HBS0612N	HBS, M6×12 (N)	2	191563
21	THS0508N	THS, M5×8 (N)	2	191579
22	THS0612N	THS, M6×12 (N)	2	X
26	SW05	SW, M5	2	191577
27	SW06	SW, M6	8	191562
31	PW05	PW, M5	2	191578
32	PW06A	PW, M6 (A)	8	191612
36	HSS0505GN	HSS, M5×5 (G)(N)	2	X
41	MB1510	Metal Bushing, 1510	1	191652
42	MB1515	Metal Bushing, 1515	1	191507

4-1-1

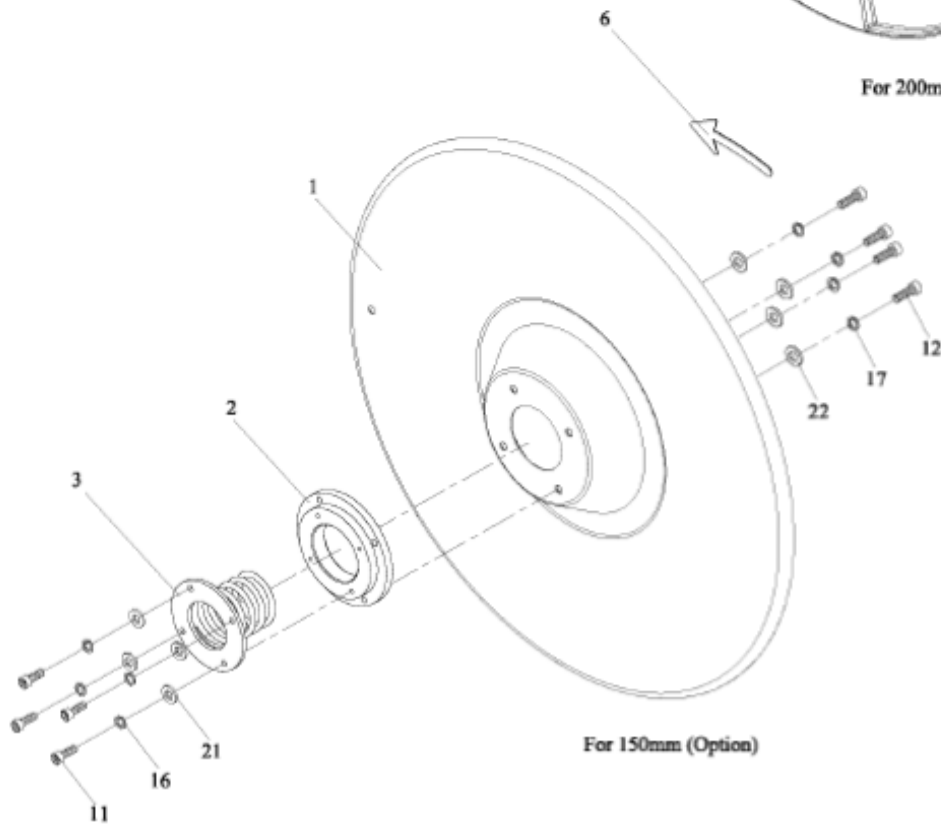
OUTER FLANGE ASS'Y

M7-4-110001

M7-4-110010



For 200mm



For 150mm (Option)

4-1-1

OUTER FLANGE ASS'Y

M7-4-110001

M7-4-110010

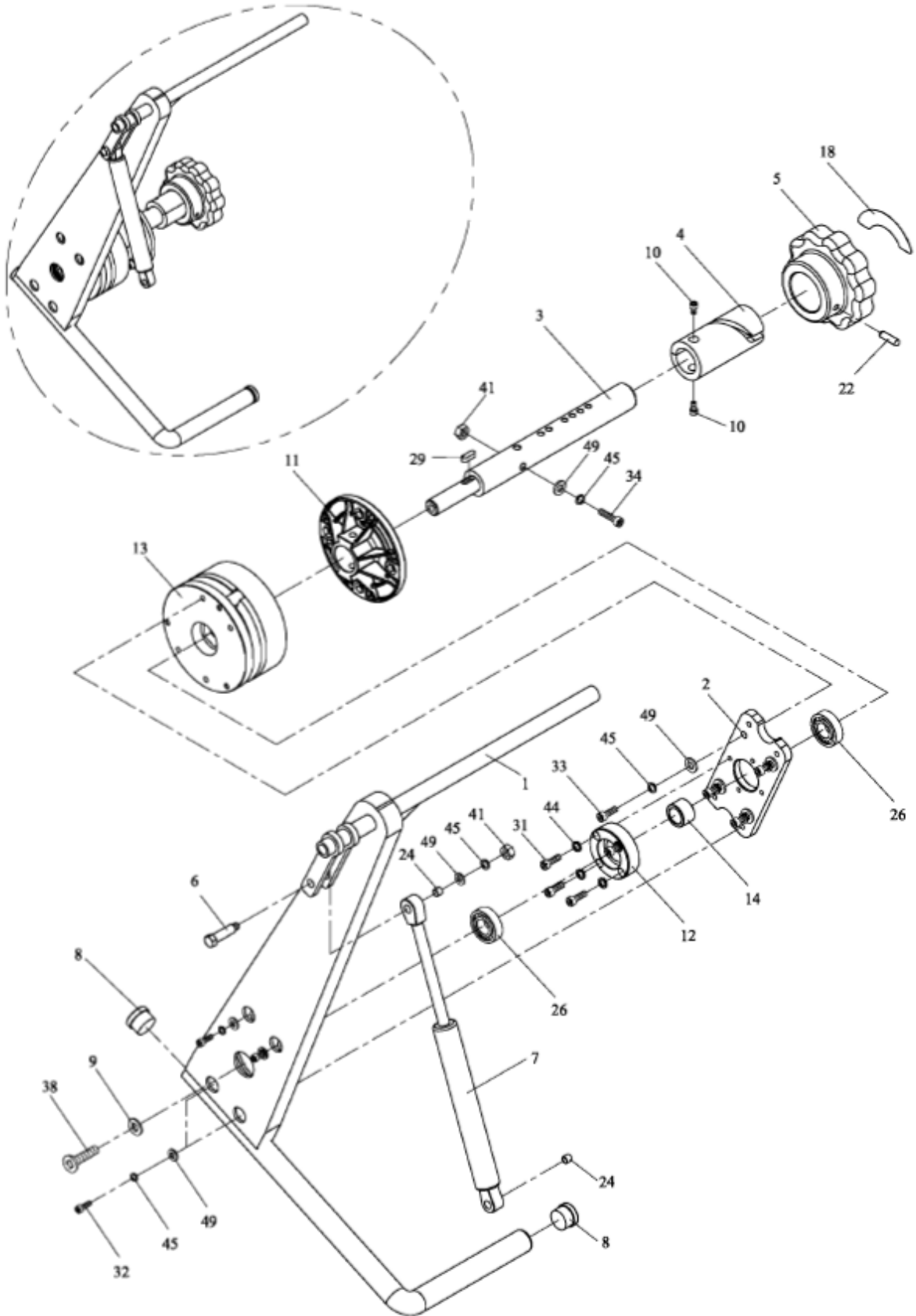
REF. NO.	PART NO.	DESCRIPTION	Q'TY	POLYCHEM PART #
	M7-4-110001	Outer Flange Ass'y (For 200mm)	1	191746
	M7-4-110010	Outer Flange Ass'y (For 150mm)(Option)	1	X
1	M7-4-111101	Outer Flange (For 200mm)	1	191736
	T7-4-10122	Outer Flange (For 150mm)(Option)	1	X
2	M7-4-111200	Plate (For 150mm)(Option)	1	X
3	M7-4-111310	Spring (For 200mm)	1	X
	M7-4-111300	Spring (For 150mm)(Option)	1	X
6	LA-30240	Label	1	X
11	HBS0416N	HBS, M4×16 (N)(For 150mm)(Option)	4	X
12	HBS0512N	HBS, M5×12 (N)(For 200mm)	4	190848
	HBS0610N	HBS, M6×10 (N)(For 150mm)(Option)	4	X
16	SW04	SW, M4 (For 150mm)(Option)	4	X
17	SW05	SW, M5 (For 200mm)	4	191577
	SW06	SW, M6 (For 150mm)(Option)	4	191562
21	PW04	PW, M4 (For 150mm)(Option)	4	187428
22	T7-2-20380	Washer (cp5× \varnothing 14)(For 200mm)	4	191745
	PW06A	PW, M6 (A)(For 150mm)(Option)	4	191612

4-1-2

REEL CRANK ASS'Y

M7-4-120001

M7-4-120011



C105-

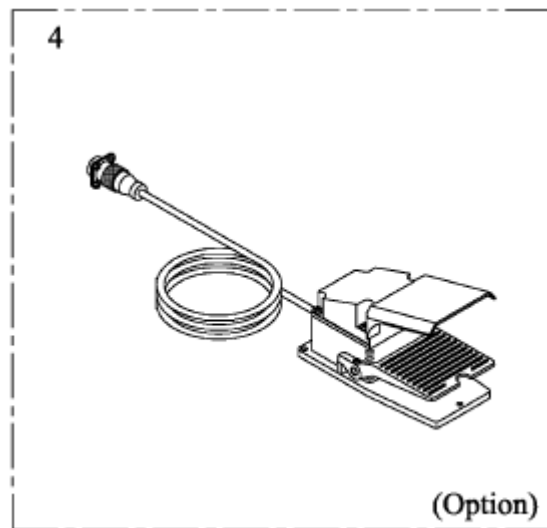
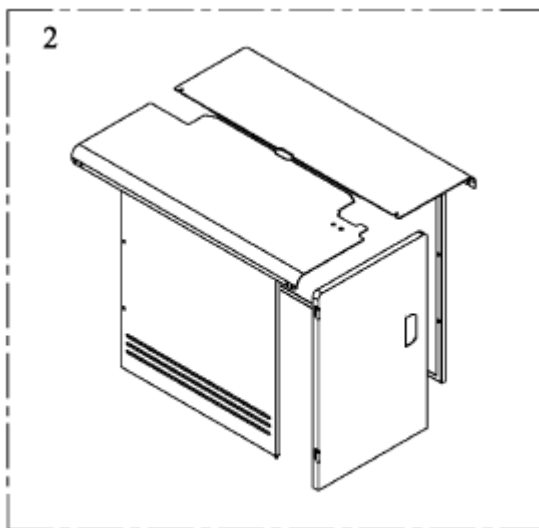
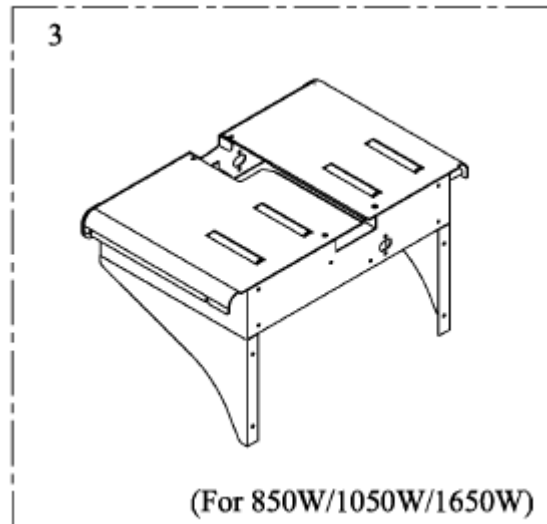
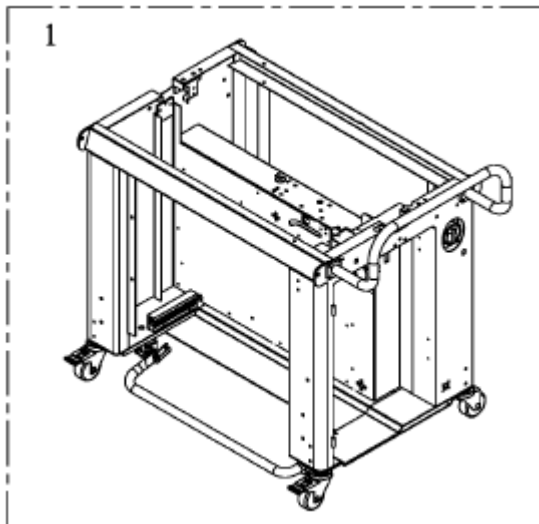
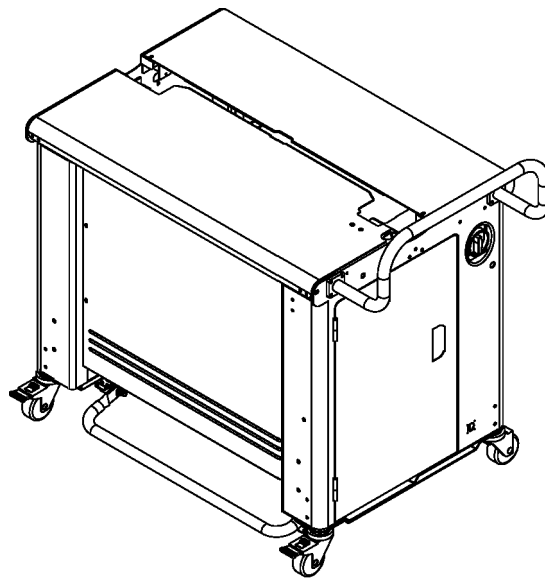
4-1-2

REEL CRANK ASS'Y

M7-4-120001

M7-4-120011

REF. NO.	PART NO.	DESCRIPTION	Q'TY	POLYCHEM PART #
	M7-4-120001	Reel Crank Ass'y (For 200mm)	1	191613
	M7-4-120011	Reel Crank Ass'y (For 150mm)(Option)	1	X
1	M7-4-121100	Reel Crank	1	191495
2	M7-4-121200	Support	1	X
3	M7-4-121301	Shaft (For 200mm)	1	X
	M7-4-121311	Shaft (For 150mm)(Option)	1	X
4	M7-4-121401	Shaft	1	191793
5	M7-4-121500	Reel Nut Handle	1	191716
6	M7-4-121600	Bolt	1	191610
7	M7-4-121701	Gas Spring	1	191517
8	M7-4-121800	Lid	2	191687
9	M7-4-121900	Washer	1	191556
10	M7-4-122000	Screw, M6×8	2	X
11	M7-4-122100	Plate (For 200mm)	1	191605
	T7-4-10140	Plate (For 150mm)(Option)	1	191605
12	T7-4-20160	Bearing Support	1	191812
13	T7-4-20170	Brake For Reel	1	191555
14	T7-4-20320	Spacer	1	X
18	LA-30230	Label	1	X
22	MSA0620	Lock Pin, x6×20	1	191718
24	MB0812	Metal Bushing, 0812	2	191576
26	BR6002ZZ	Bearing, 6002ZZ	2	187782
29	KYA050515	Key, 5×5×15	1	X
31	HBS0516N	HBS, M5×16 (N)	4	191700
32	HBS0616N	HBS, M6×16 (N)	4	191544
33	HBS0620N	HBS, M6×20 (N)	4	191726
34	HBS0645N	HBS, M6×45 (N)	1	191757
38	FMS0820N	FMS, M8×20 (N)	1	X
41	HN06	HN, M6	2	191611
44	SW05	SW, M5	4	191577
45	SW06	SW, M6	10	191562
49	PW06A	PW, M6 (A)	10	191612



REF. NO.	PART NO.	DESCRIPTION	Q'TY	POLYCHEM PART #
	M7-5-900501	Body Frame Unit (For TP-702P, 5-6mm, 650W)	1	X
	M7-5-900501S	Body Frame Unit (Stainless Steel Model) (For TP-702P, 5-6mm, 650W)	1	X
	M7-5-900511	Body Frame Unit (For TP-702P, 9mm, 650W)	1	X
	M7-5-900511S	Body Frame Unit (Stainless Steel Model) (For TP-702P, 9mm, 650W)	1	X
	M7-5-900521	Body Frame Unit (For TP-702P, 5-6mm, 850W)	1	X
	M7-5-900521S	Body Frame Unit (Stainless Steel Model) (For TP-702P, 5-6mm, 850W)	1	X
	M7-5-900531	Body Frame Unit (For TP-702P, 9mm, 850W)	1	X
	M7-5-900531S	Body Frame Unit (Stainless Steel Model) (For TP-702P, 9mm, 850W)	1	X
	M7-5-900541	Body Frame Unit (For TP-702P, 5-6mm, 1050W)	1	X
	M7-5-900541S	Body Frame Unit (Stainless Steel Model) (For TP-702P, 5-6mm, 1050W)	1	X
	M7-5-900551	Body Frame Unit (For TP-702P, 9mm, 1050W)	1	X
	M7-5-900551S	Body Frame Unit (Stainless Steel Model) (For TP-702P, 9mm, 1050W)	1	X
	M7-5-900561	Body Frame Unit (For TP-702P, 5-6mm, 1250W)	1	X
	M7-5-900561S	Body Frame Unit (Stainless Steel Model) (For TP-702P, 5-6mm, 1250W)	1	X
	M7-5-900571	Body Frame Unit (For TP-702P, 9mm, 1250W)	1	X
	M7-5-900571S	Body Frame Unit (Stainless Steel Model) (For TP-702P, 9mm, 1250W)	1	X
	M7-5-900581	Body Frame Unit (For TP-702P, 5-6mm, 1650W)	1	X
	M7-5-900581S	Body Frame Unit (Stainless Steel Model) (For TP-702P, 5-6mm, 1650W)	1	X
	M7-5-900591	Body Frame Unit (For TP-702P, 9mm, 1650W)	1	X
	M7-5-900591S	Body Frame Unit (Stainless Steel Model) (For TP-702P, 9mm, 1650W)	1	X
	M7-5-900651	Body Frame Unit (For TP-702RS, 5-6mm)	1	X
	M7-5-900661	Body Frame Unit (For TP-702RS, 9mm)	1	X
1	M7-5-100031	Body Frame With Foot Bar Group (For TP-702P, 650W~1050W)	1	SEE PAGE C111X
	M7-5-100031S	Body Frame With Foot Bar Group (Stainless Steel Model)(For TP-702P, 650W~1050W)	1	X

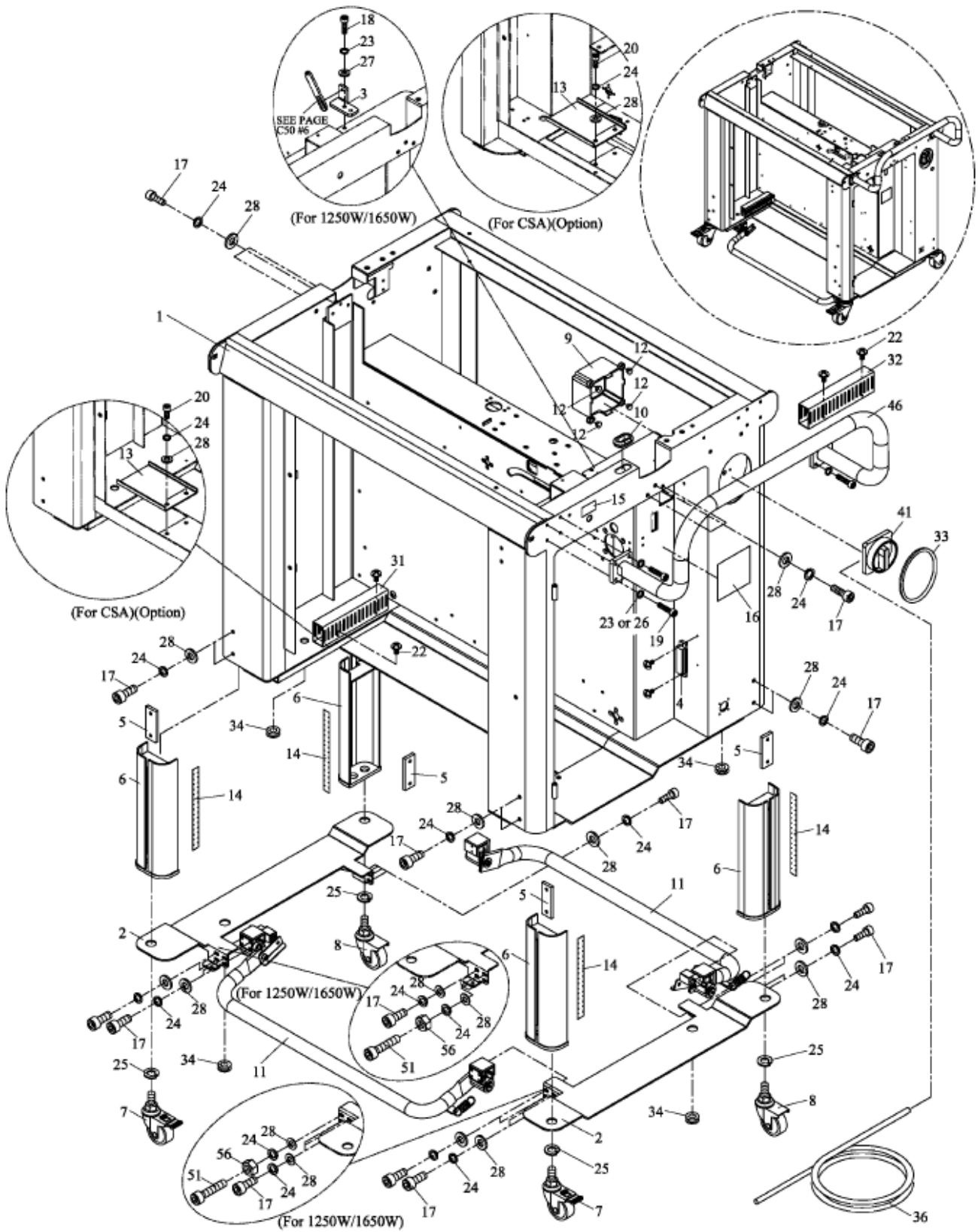
REF. NO.	PART NO.	DESCRIPTION	Q'TY	POLYCHEM PART #
	M7-5-100041	Body Frame With Foot Bar Group (For TP-702P, 1250W/1650W)	1	X
	M7-5-100041S	Body Frame With Foot Bar Group (Stainless Steel Model)(For TP-702P, 1250W/1650W)	1	X
	M7-5-100051	Low Table Body Frame Group (For TP-702P, 650W~1050W)(Option)	1	SEE PAGE C115
	M7-5-100051S	Low Table Body Frame Group (Stainless Steel Model)(For TP-702P, 650W~1050W)(Option)	1	X
	M7-5-100061	Low Table Body Frame Group (For TP-702P, 1250W/1650W)(Option)	1	X
	M7-5-100061S	Low Table Body Frame Group (Stainless Steel Model)(For TP-702P, 1250W/1650W)(Option)	1	X SEE PAGE C119
	M7-5-100070	Body Frame With Foot Bar Group (For TP-702RS)	1	SEE PAGE C123
2	M7-5-200201	Cover Group (For TP-702P, 5-6mm, 650W)	1	
	M7-5-200201S	Cover Group (Stainless Steel Model) (For TP-702P, 5-6mm, 650W)	1	
	M7-5-200211	Cover Group (For TP-702P, 9mm, 650W)	1	
	M7-5-200211S	Cover Group (Stainless Steel Model) (For TP-702P, 9mm, 650W)	1	
	M7-5-200221	Cover Group (For TP-702P, 5-6mm, 850W/1050W)	1	
	M7-5-200221S	Cover Group (Stainless Steel Model) (For TP-702P, 5-6mm, 850W/1050W)	1	
	M7-5-200231	Cover Group (For TP-702P, 9mm, 850W/1050W)	1	
	M7-5-200231S	Cover Group (Stainless Steel Model) (For TP-702P, 9mm, 850W/1050W)	1	
	M7-5-200241	Cover Group (For TP-702P, 5-6mm, 1250W)	1	SEE PAGE C127
	M7-5-200241S	Cover Group (Stainless Steel Model) (For TP-702P, 5-6mm, 1250W)	1	
	M7-5-200251	Cover Group (For TP-702P, 9mm, 1250W)	1	
	M7-5-200251S	Cover Group (Stainless Steel Model) (For TP-702P, 9mm, 1250W)	1	
	M7-5-200261	Cover Group (For TP-702P, 5-6mm, 1650W)	1	
	M7-5-200261S	Cover Group (Stainless Steel Model) (For TP-702P, 5-6mm, 1650W)	1	
	M7-5-200271	Cover Group (For TP-702P, 9mm, 1650W)	1	
	M7-5-200271S	Cover Group (Stainless Steel Model) (For TP-702P, 9mm, 1650W)	1	
	M7-5-200281	Cover Group (For TP-702RS, 5-6mm)	1	SEE PAGE C123
	M7-5-200291	Cover Group (For TP-702RS, 9mm)	1	

REF. NO.	PART NO.	DESCRIPTION	Q'TY	POLYCHEM PART #
3	M7-5-300060	Extension Table Group (For TP-702P, 5-6mm, 850W)	1	SEE PAGE C141
	M7-5-300060S	Extension Table Group (Stainless Steel Model) (For TP-702P, 5-6mm, 850W)	1	
	M7-5-300070	Extension Table Group (For TP-702P, 9mm, 850W)	1	
	M7-5-300070S	Extension Table Group (Stainless Steel Model) (For TP-702P, 9mm, 850W)	1	
	M7-5-300080	Extension Table Group (For TP-702P, 5-6mm, 1050W/1650W)	1	
	M7-5-300080S	Extension Table Group (Stainless Steel Model) (For TP-702P, 5-6mm, 1050W/1650W)	1	
	M7-5-300090	Extension Table Group (For TP-702P, 9mm, 1050W/1650W)	1	
	M7-5-300090S	Extension Table Group (Stainless Steel Model) (For TP-702P, 9mm, 1050W/1650W)	1	
4	T7-6-40001	Pedal Control Set (Option)	1	SEE PAGE C149

5-1
a.

BODY FRAME WITH FOOT BAR GROUP (For TP-702P)

M7-5-100031
M7-5-100041



5-1

a.

**BODY FRAME WITH FOOT
BAR GROUP (For TP-702P)**

M7-5-100031

M7-5-100041

REF. NO.	PART NO.	DESCRIPTION	Q'TY	POLYCHEM PART #
	M7-5-100031	Body Frame With Foot Bar Group (For TP-702P, 650W~1050W)	1	
	M7-5-100031S	Body Frame With Foot Bar Group (Stainless Steel Model)(For TP-702P, 650W~1050W)	1	
	M7-5-100041	Body Frame With Foot Bar Group (For TP-702P, 1250W/1650W)	1	
	M7-5-100041S	Body Frame With Foot Bar Group (Stainless Steel Model)(For TP-702P, 1250W/1650W)	1	
1	M7-5-103101	Body Frame (For 650W~1050W)	1	
	M7-5-103101S	Body Frame (Stainless Steel Model) (For 650W~1050W)	1	
	M7-5-103121	Body Frame (For CSA, 650W~1050W)(Option)	1	
	M7-5-103121S	Body Frame (Stainless Steel Model)(For CSA, 650W~1050W)(Option)	1	
	M7-5-103111	Body Frame (For 1250W/1650W)	1	
	M7-5-103111S	Body Frame (Stainless Steel Model) (For 1250W/1650W)	1	
	M7-5-103131	Body Frame (For CSA, 1250W/1650W) (Option)	1	
	M7-5-103131S	Body Frame (Stainless Steel Model)(For CSA, 1250W/1650W)(Option)	1	
2	M7-5-101202	Support	2	
	M7-5-101202S	Support (Stainless Steel Model)	2	
3	M7-5-101500	Base (For 1250W/1650W)	1	
4	T6-5-10160	Magnet Catch	1	
5	T7-5-10150	Fix Plate	4	
	T7-5-10150S	Fix Plate (Stainless Steel Model)	4	
6	M7-5-101700	Adjustment Leg	4	
	M7-5-101700S	Adjustment Leg (Stainless Steel Model)	4	
7	T7-5-10172	Caster (Brake)	2	
	T7-5-10172S	Caster (Brake)(Stainless Steel Model)	2	
8	T7-5-10182	Caster (Free)	2	
	T7-5-10182S	Caster (Free)(Stainless Steel Model)	2	
9	M7-5-101901	Cover	1	
10	M7-5-102000	Grommet	1	
11	M7-5-110021	Foot Bar Ass'y (Front)(For 650W~1050W)	1	SEE PAGE C121
		Foot Bar Ass'y (For 650W~1050W)(Option)	2	
	M7-5-110021S	Foot Bar Ass'y (Front)(Stainless Steel Model) (For 650W~1050W)	1	
		Foot Bar Ass'y (Stainless Steel Model) (For 650W~1050W)(Option)	2	
	M7-5-110012	Foot Bar Ass'y (Front)(For 1250W/1650W)	1	
		Foot Bar Ass'y (For 1250W/1650W)(Option)	2	

5-1

**BODY FRAME WITH FOOT
BAR GROUP (For TP-702P)**

M7-5-100031

M7-5-100041

REF. NO.	PART NO.	DESCRIPTION	Q'TY	POLYCHEM PART #
	M7-5-110012S	Foot Bar Ass'y (Front)(Stainless Steel Model) (For 1250W/1650W)	1	
		Foot Bar Ass'y (Stainless Steel Model) (For 1250W/1650W)(Option)	2	
12	T7-5-20210	Rubber Plug	4	
13	M7-5-101301	Plate (For CSA)(Option)	2	
	M7-5-101301S	Plate (Stainless Steel Model)(For CSA)(Option)	2	
14	LA-50094	Label	4	
15	LA-30220	Label (Reel Brake Release)	1	
16	LA-30251	Label	1	
17	HBS0616N	HBS, M6×16 (N)(For 650W~1050W)	22	
		HBS, M6×16 (N)(For 650W~1050W)(Option)	34	
		HBS, M6×16 (N)(For 1250W/1650W)	20	
		HBS, M6×16 (N)(For 1250W/1650W)(Option)	30	
	HBS0616S	HBS, M6×16 (Stainless Steel Model)(For 650W~1050W)	22	
		HBS, M6×16 (Stainless Steel Model)(For 650W~1050W)(Option)	34	
		HBS, M6×16 (Stainless Steel Model)(For 1250W/1650W)	20	
		HBS, M6×16 (Stainless Steel Model)(For 1250W/1650W)(Option)	30	
18	HBS0516N	HBS, M5×16 (N)(For 1250W/1650W)	2	
19	HBS0520N	HBS, M5×20 (N)	8	
	HBS0520S	HBS, M5×20 (Stainless Steel Model)	8	
20	HBS0612N	HBS, M6×12 (N)(For CSA)(Option)	4	
	HBS0612S	HBS, M6×12 (Stainless Steel Model)(For CSA)(Option)	4	
21	TMS0308N	TMS, M3×8 (N)	2	
22	TMS0406	TMS, M4×6	2	
		TMS, M4×6 (Option)	4	
23	SW05	SW, M5	8	
		SW, M5 (For 1250W/1650W)	10	
24	SW06	SW, M6 (For 650W~1050W)	22	
		SW, M6 (For 650W~1050W)(Option)	34	
		SW, M6 (For 1250W/1650W)	20	
		SW, M6 (For 1250W/1650W)(Option)	30	

5-1

a.

**BODY FRAME WITH FOOT
BAR GROUP (For TP-702P)**

M7-5-100031

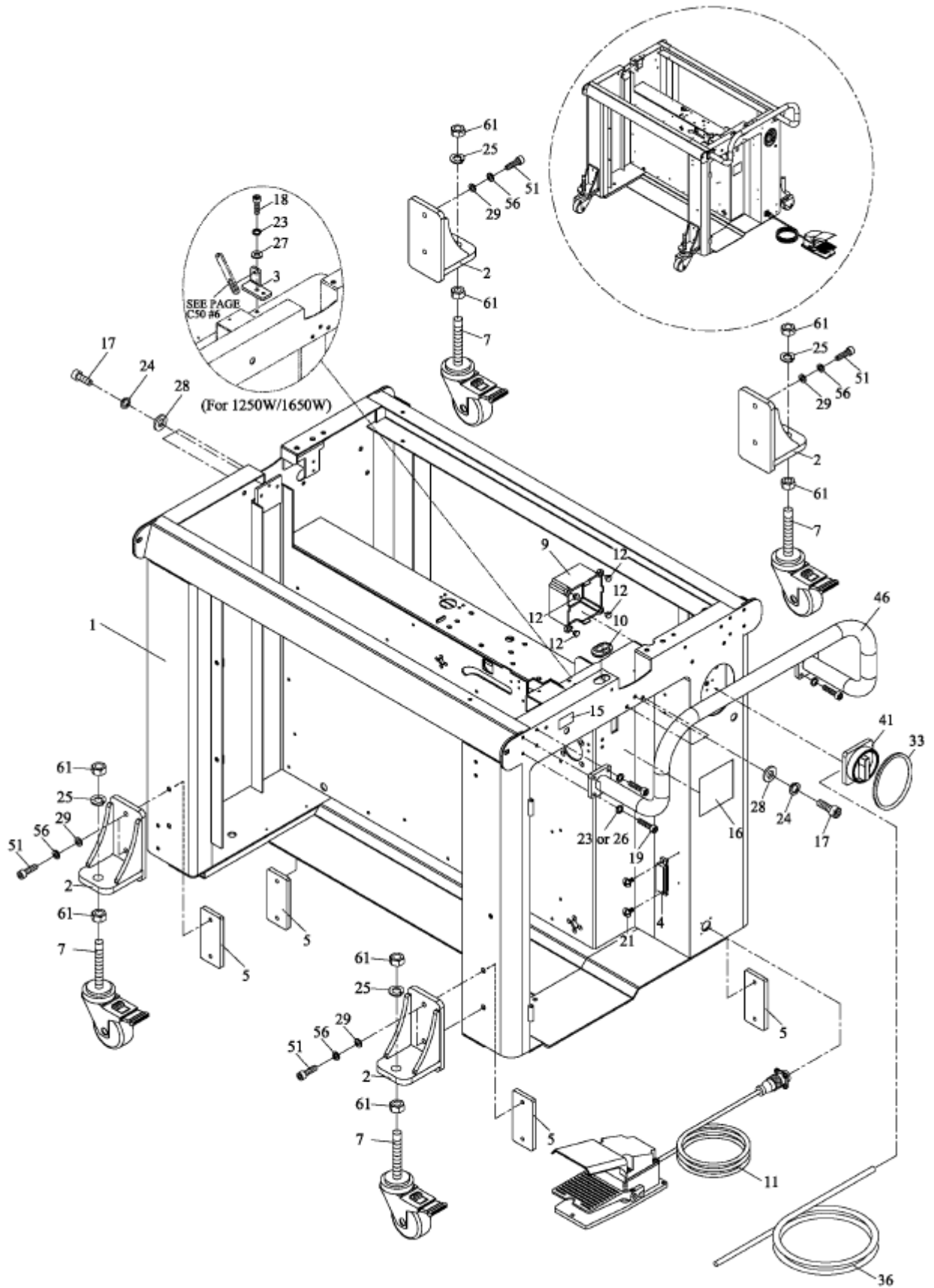
M7-5-100041

REF. NO.	PART NO.	DESCRIPTION	Q'TY	POLYCHEM PART #
	SW06S	SW, M6 (Stainless Steel Model)(For 650W~1050W)	22	
		SW, M6 (Stainless Steel Model)(For 650W~1050W)(Option)	34	
		SW, M6 (Stainless Steel Model)(For 1250W/1650W)	20	
		SW, M6 (Stainless Steel Model)(For 1250W/1650W)(Option)	30	
25	SW16	SW, M16	4	
	SW16S	SW, M16 (Stainless Steel Model)	4	
26	SW05S	SW, M5 (Stainless Steel Model)	8	
27	PW05	PW, M5 (For 1250W/1650W)	2	
28	PW06A	PW, M6 (A)(For 650W~1050W)	22	
		PW, M6 (A)(For 650W~1050W)(Option)	34	
		PW, M6 (A)(For 1250W/1650W)	20	
		PW, M6 (A)(For 1250W/1650W)(Option)	30	
	PW06AS	PW, M6 (A)(Stainless Steel Model)(For 650W~1050W)	22	
		PW, M6 (A)(Stainless Steel Model)(For 650W~1050W)(Option)	34	
		PW, M6 (A)(Stainless Steel Model)(For 1250W/1650W)	20	
		PW, M6 (A)(Stainless Steel Model)(For 1250W/1650W)(Option)	30	
31	WD25450170	Wire Duct 25×45×170	1	
32	WD25450110	Wire Duct 25×45×110 (Option)	1	
33	M7-5-101800	Grommet	1	
34	T5-4-10580	Grommet	2	
		Grommet (Option)	4	
36	EW720106C003	Wire Ass'y (For 650W~1050W)	1	
	EW720112F003	Wire Ass'y (For 1250W/1650W)	1	
41	TK-001	Main Power Switch	1	
46	M7-5-103300	Protect Arm	1	
	M7-5-103300S	Protect Arm (Stainless Steel Model)	1	
51	HBS0630N	HBS, M6×30 (N)(For 1250W/1650W)	2	
		HBS, M6×30 (N)(For 1250W/1650W)(Option)	4	
56	HN06	HN, M6 (For 1250W/1650W)	2	
		HN, M6 (For 1250W/1650W)(Option)	4	

5-1
b.

LOW TABLE BODY FRAME GROUP (For TP-702P)(OPTION)

M7-5-100051
M7-5-100061



5-1
b.

LOW TABLE BODY FRAME
GROUP (For TP-702P)(OPTION)

M7-5-100051
M7-5-100061

REF. NO.	PART NO.	DESCRIPTION	Q'TY	POLYCHEM PART #
	M7-5-100051	Low Table Body Frame Group (For TP-702P, 650W~1050W)(Option)	1	
	M7-5-100051S	Low Table Body Frame Group (Stainless Steel Model)(For TP-702P, 650W~1050W)(Option)	1	
	M7-5-100061	Low Table Body Frame Group (For TP-702P, 1250W/1650W)(Option)	1	
	M7-5-100061S	Low Table Body Frame Group (Stainless Steel Model)(For TP-702P, 1250W/1650W)(Option)	1	
1	M7-5-103101	Body Frame (For 650W~1050W)	1	
	M7-5-103101S	Body Frame (Stainless Steel Model) (For 650W~1050W)	1	
	M7-5-103111	Body Frame (For 1250W/1650W)	1	
	M7-5-103111S	Body Frame (Stainless Steel Model) (For 1250W/1650W)	1	
2	M7-5-103400	Machinery Pad Socket	4	
	M7-5-103400S	Machinery Pad Socket (Stainless Steel Model)	4	
3	M7-5-101500	Base (For 1250W/1650W)	1	
4	T6-5-10160	Magnet Catch	1	
5	M7-5-103500	Fix Plate	4	
	M7-5-103500S	Fix Plate (Stainless Steel Model)	4	
7	T7-5-40780	Caster (Brake)	4	
	T7-5-40780S	Caster (Brake)(Stainless Steel Model)	4	
9	M7-5-101901	Cover	1	
10	M7-5-102000	Grommet	1	
11	T7-6-40001	Pedal Control Set	1	SEE PAGE C149
12	T7-5-20210	Rubber Plug	4	
15	LA-30220	Label (Reel Brake Release)	1	
16	LA-30251	Label	1	
17	HBS0616N	HBS, M6×16 (N)	6	
	HBS0616S	HBS, M6×16 (Stainless Steel Model)	6	
18	HBS0516N	HBS, M5×16 (N)(For 1250W/1650W)	2	
19	HBS0520N	HBS, M5×20 (N)	8	
	HBS0520S	HBS, M5×20 (Stainless Steel Model)	8	
21	TMS0308	TMS, M3×8	2	
23	SW05	SW, M5 SW, M5 (For 1250W/1650W)	8 10	
24	SW06	SW, M6	6	
	SW06S	SW, M6 (Stainless Steel Model)	6	

5-1
b.

LOW TABLE BODY FRAME
GROUP (For TP-702P)(OPTION)

M7-5-100051
M7-5-100061

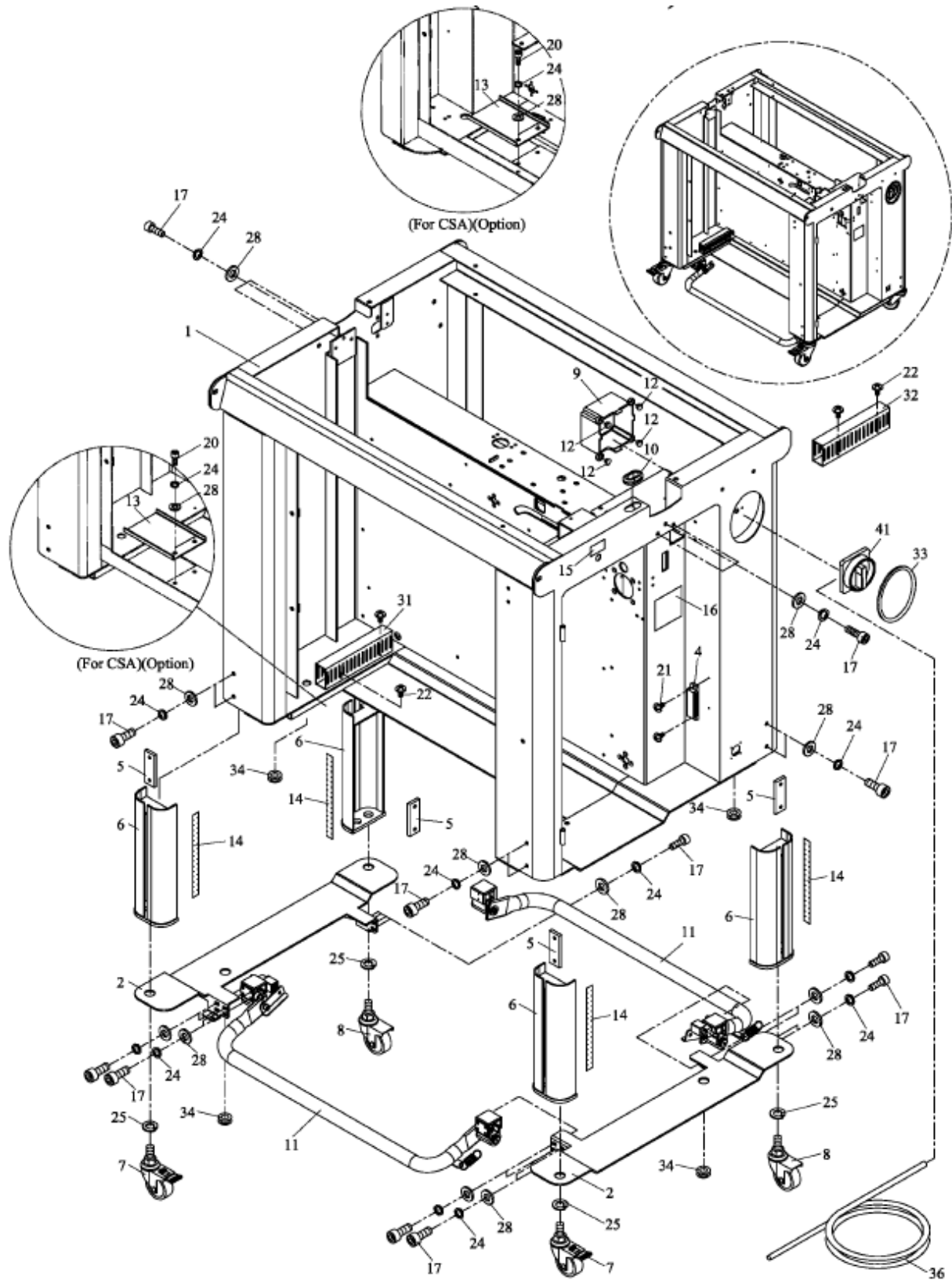
REF. NO.	PART NO.	DESCRIPTION	Q'TY	POLYCHEM PART #
25	SW16	SW, M16	4	
	SW16S	SW, M16 (Stainless Steel Model)	4	
26	SW05S	SW, M5 (Stainless Steel Model)	8	
27	PW05	PW, M5 (For 1250W/1650W)	2	
28	PW06A	PW, M6 (A)	6	
	PW06AS	PW, M6 (A)(Stainless Steel Model)	6	
29	PW08C	PW, M8 (C)	8	
	PW08CS	PW, M8 (C)(Stainless Steel Model)	8	
33	M7-5-101800	Grommet	1	
36	EW720106C003	Wire Ass'y (For 650W~1050W)	1	
	EW720112F003	Wire Ass'y (For 1250W/1650W)	1	
41	TK-001	Main Power Switch	1	
46	M7-5-103300	Protect Arm	1	
	M7-5-103300S	Protect Arm (Stainless Steel Model)	1	
51	HBS0820N	HBS, M8×20 (N)	8	
	HBS0820S	HBS, M8×20 (Stainless Steel Model)	8	
56	SW08	SW, M8	8	
	SW08S	SW, M8 (Stainless Steel Model)	8	
61	HN16	HN, M16	8	
	HN16S	HN, M16 (Stainless Steel Model)	8	



5-1
c.

BODY FRAME WITH FOOT BAR GROUP (For TP-702RS)

M7-5-100070



5-1
c.

**BODY FRAME WITH FOOT
BAR GROUP (For TP-702RS)**

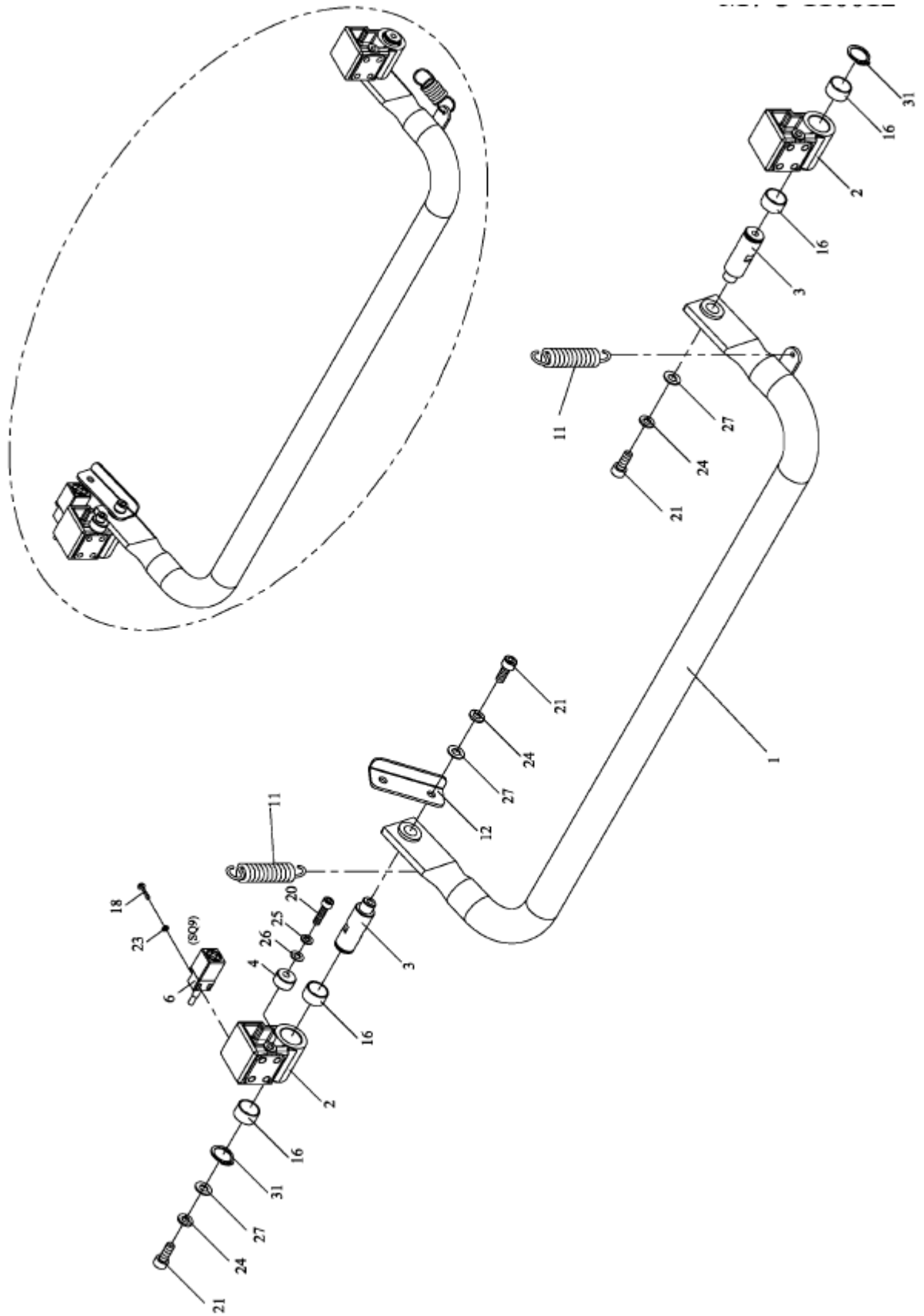
M7-5-100070

REF. NO.	PART NO.	DESCRIPTION	Q'TY	POLYCHEM PART #
1	M7-5-101171	Body Frame	1	
	M7-5-101181	Body Frame (For CSA)(Option)	1	
2	M7-5-101202	Support	2	
4	T6-5-10160	Magnet Catch	1	
5	T7-5-10150	Fix Plate	4	
6	M7-5-101700	Adjusment Leg	4	
7	T7-5-10170	Caster (Brake)	2	
8	T7-5-10180	Caster (Free)	2	
9	M7-5-101901	Cover	1	
10	M7-5-102000	Grommet	1	
11	M7-5-110002	Foot Bar Ass'y (Front)	1	SEE PAGE C121
		Foot Bar Ass'y (Option)	2	
12	T7-5-20210	Rubber Plug	4	
13	M7-5-101301	Plate (For CSA)(Option)	2	
14	LA-50094	Label	4	
15	LA-30220	Label (Reel Brake Release)	1	
16	LA-30251	Label	1	
17	HBS0616N	HBS, M6×16 (N)	22	
		HBS, M6×16 (N)(Option)	30	
20	HBS0612N	HBS, M6×12 (N)(For CSA)(Option)	4	
21	TMS0308N	TMS, M3×8 (N)	2	
22	TMS0406	TMS, M4×6	2	
		TMS, M4×6 (Option)	4	
24	SW06	SW, M6	22	
		SW, M6 (Option)	34	
25	SW16	SW, M16	4	
28	PW06A	PW, M6 (A)	22	
		PW, M6 (A)(Option)	34	
31	WD25450170	Wire Duct 25×45×170	1	
32	WD25450110	Wire Duct 25×45×110 (Option)	1	
33	M7-5-101800	Grommet	1	
34	T5-4-10580	Grommet	2	
		Grommet (Option)	4	
36	EW720105B003	Wire Ass'y	1	
41	TK-001	Main Power Switch	1	

5-1-1

FOOT BAR ASS'Y

M7-5-110021
M7-5-11001



5-1-1

FOOT BAR ASS'Y

M7-5-110021

M7-5-110012

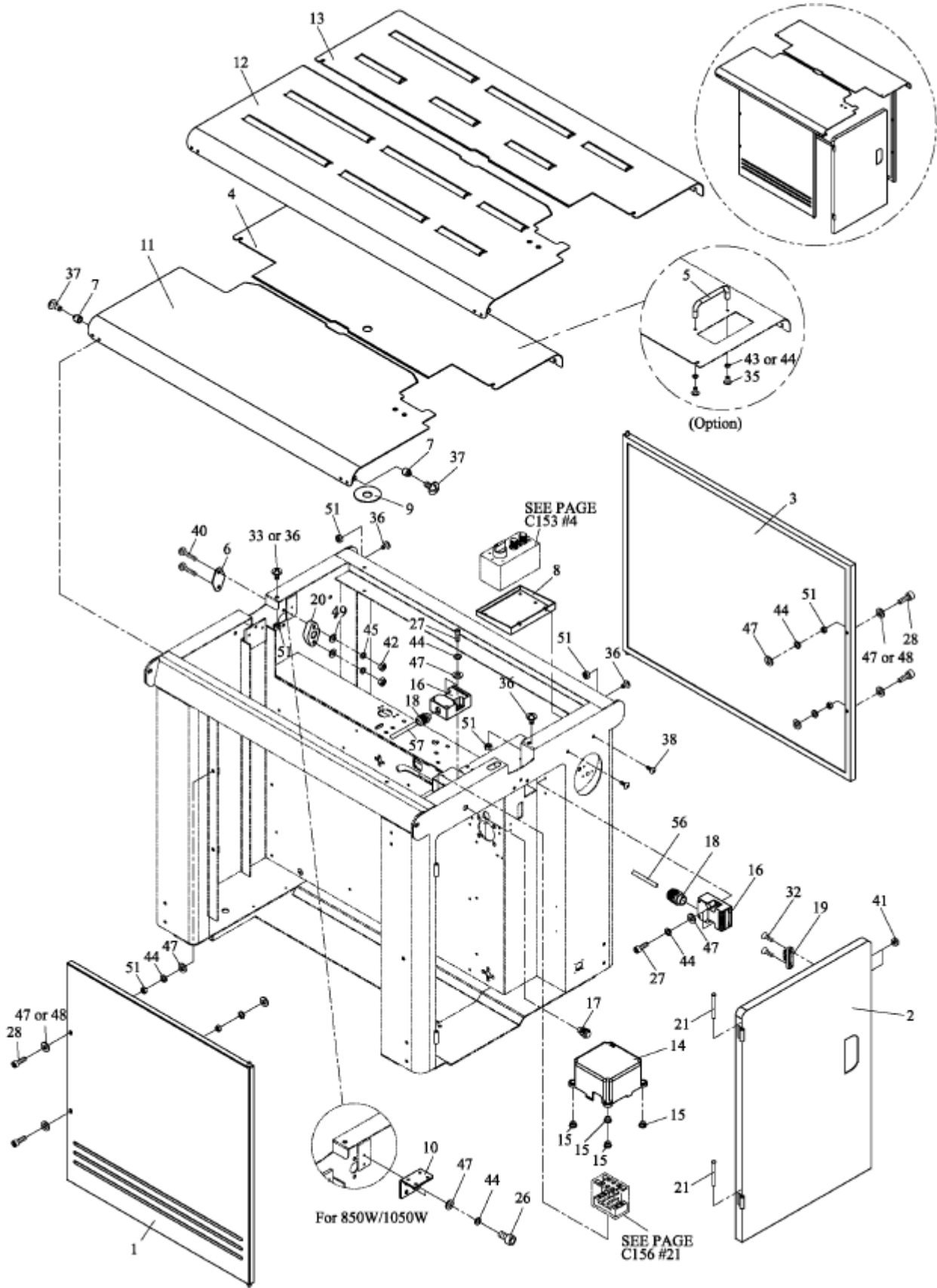
REF. NO.	PART NO.	DESCRIPTION	Q'TY	POLYCHEM PART #
	M7-5-110021	Foot Bar Ass'y (For TP-702P, 650W~1050W)	1	
	M7-5-110021S	Foot Bar Ass'y (Stainless Steel Model) (For TP-702P, 650W~1050W)	1	
	M7-5-110012	Foot Bar Ass'y (For TP-702P, 1250W/1650W)	1	
	M7-5-110012S	Foot Bar Ass'y (Stainless Steel Model) (For TP-702P, 1250W/1650W)	1	
	M7-5-110002	Foot Bar Ass'y (For TP-702RS)	1	
1	M7-5-111120	Foot Bar (For TP-702P, 650W~1050W)	1	
	M7-5-111120S	Foot Bar (Stainless Steel Model) (For TP-702P, 650W~1050W)	1	
	M7-5-111111	Foot Bar (For TP-702P, 1250W/1650W)	1	
	M7-5-111111S	Foot Bar (Stainless Steel Model) (For TP-702P, 1250W/1650W)	1	
	M7-5-111101	Foot Bar (For TP-702RS)	1	
2	M7-5-111201	Block	2	
3	M7-5-111300	Shaft	2	
	M7-5-111300S	Shaft (Stainless Steel Model)	2	
4	M7-5-111400	Adjuster	1	
	M7-5-111400S	Adjuster (Stainless Steel Model)	1	
6	MV-6-20220	Proximity Sensor (X21)(SQ9)	1	SEE PAGE C163
11	TB-114	Return Spring	2	
	TB-114S	Return Spring (Stainless Steel Model)	2	
12	T7-5-30141	Sensor Plate	1	
16	MB1510	Metal Bushing, 1510	4	
18	PMS0320	PMS, M3×20	2	
	PMS0320S	PMS, M3×20 (Stainless Steel Model)	2	
20	HBS0520N	HBS, M5×20 (N)	1	
	HBS0520S	HBS, M5×20 (Stainless Steel Model)	1	
21	HBS0612N	HBS, M6×12 (N)	3	
	HBS0612S	HBS, M6×12 (Stainless Steel Model)	3	
23	SW03	SW, M3	2	
	SW03S	SW, M3 (Stainless Steel Model)	2	
24	SW06	SW, M6	3	
	SW06S	SW, M6 (Stainless Steel Model)	3	
25	SW05	SW, M5	1	
	SW05S	SW, M5 (Stainless Steel Model)	1	
26	PW05	PW, M5	1	
	PW05S	PW, M5 (Stainless Steel Model)	1	
27	PW06C	PW, M6 (C)	3	
	PW06CS	PW, M6 (C)(Stainless Steel Model)	3	
31	SR15	Stop Ring, S-15	2	
	SR15S	Stop Ring, S-15 (Stainless Steel Model)	2	

5-2
a.

COVER GROUP

(For TP-702P, 650W--1050W/TP-702RS) M7-5-200211

M7-5-200201
M7-5-200211



5-2

COVER GROUP

M7-5-200201

a.

(For TP-702P, 650W~1050W/TP-702RS)

M7-5-200211

REF. NO.	PART NO.	DESCRIPTION	Q'TY	POLYCHEM PART #
	M7-5-200201	Cover Group (For TP-702P, 5-6mm, 650W)	1	
	M7-5-200201S	Cover Group (Stainless Steel Model) (For TP-702P, 5-6mm, 650W)	1	
	M7-5-200211	Cover Group (For TP-702P, 9mm, 650W)	1	
	M7-5-200211S	Cover Group (Stainless Steel Model) (For TP-702P, 9mm, 650W)	1	
	M7-5-200221	Cover Group (For TP-702P, 5-6mm, 850W/1050W)	1	
	M7-5-200221S	Cover Group (Stainless Steel Model) (For TP-702P, 5-6mm, 850W/1050W)	1	
	M7-5-200231	Cover Group (For TP-702P, 9mm, 850W/1050W)	1	
	M7-5-200231S	Cover Group (Stainless Steel Model) (For TP-702P, 9mm, 850W/1050W)	1	
	M7-5-200281	Cover Group (For TP-702RS, 5-6mm)	1	
	M7-5-200291	Cover Group (For TP-702RS, 9mm)	1	
1	M7-5-201111	Front Door (For TP-702P, 650W~1050W)	1	
	M7-5-201111S	Front Door (Stainless Steel Model) (For TP-702P, 650W~1050W)	1	
	M7-5-201102	Front Door (For TP-702RS)	1	
2	M7-5-201201	Side Door	1	
	M7-5-201201S	Side Door (Stainless Steel Model)	1	
3	M7-5-201301	Rear Door	1	
	M7-5-201301S	Rear Door (Stainless Steel Model)	1	
4	M7-5-203100	Upper Table Rear (For TP-702P, 650W)	1	
	M7-5-203100S	Upper Table Rear (Stainless Steel Model) (For TP-702P, 650W)	1	
	M7-5-203110	Upper Table Rear (For Photo Eye) (For TP-702P, 650W)(Option)	1	
	M7-5-203110S	Upper Table Rear (For Photo Eye)(Stainless Steel Model)(For TP-702P, 650W)(Option)	1	
	M7-5-203120	Upper Table Rear (For TP-702RS)	1	
	M7-5-203130	Upper Table Rear (For Photo Eye) (For TP-702RS)(Option)	1	
5	M7-6-102100	Handle (Option)	1	
	M7-6-102100S	Handle (Stainless Steel Model)(Option)	1	
6	M7-5-201600	Cover (For TP-702P, 650W/TP-702RS)	1	
	M7-5-201600S	Cover (Stainless Steel Model)(For TP-702P, 650W)	1	
7	M7-5-201701	Table Support	2	
	M7-5-201701S	Table Support (Stainless Steel Model)	2	
8	M7-5-202500	Bracket (Option)	1	

5-2

COVER GROUP
(For TP-702P, 650W~1050W/TP-702RS)

M7-5-200201

M7-5-200211

REF. NO.	PART NO.	DESCRIPTION	Q'TY	POLYCHEM PART #
9	LA-50240	Label (Option)	1	
10	M7-5-202200	Guide LH plate (For TP-702P, 850W/1050W)	1	
11	M7-5-210031	Upper Table Front Ass'y (For TP-702P, 5-6mm, 650W)	1	SEE PAGE C131
	M7-5-210031S	Upper Table Front Ass'y (Stainless Steel Model)(For TP-702P, 5-6mm, 650W)	1	
	M7-5-210041	Upper Table Front Ass'y (For TP-702P,9mm, 650W)	1	
	M7-5-210041S	Upper Table Front Ass'y (Stainless Steel Model)(For TP-702P, 9mm, 650W)	1	
	M7-5-210050	Upper Table Front Ass'y (For TP-702RS, 5-6mm)	1	
	M7-5-210060	Upper Table Front Ass'y (For TP-702RS, 9mm)	1	
12	M7-5-220001	Upper Table Front Ass'y (For TP-702P, 5-6mm, 850W/1050W)	1	SEE PAGE C133
	M7-5-220001S	Upper Table Front Ass'y (Stainless Steel Model)(For TP-702P, 5-6mm, 850W/1050W)	1	
	M7-5-220011	Upper Table Front Ass'y (For TP-702P, 9mm, 850W/1050W)	1	
	M7-5-220011S	Upper Table Front Ass'y (Stainless Steel Model)(For TP-702P, 9mm, 850W/1050W)	1	
13	M7-5-230100	Upper Table Rear Ass'y (For TP-702P, 850W/1050W)	1	SEE PAGE C137
	M7-5-230100S	Upper Table Rear Ass'y (Stainless Steel Model) (For TP-702P, 850W/1050W)	1	
	M7-5-230110	Upper Table Rear Ass'y (For Photo Eye) (For TP-702P, 850W/1050W)(Option)	1	
	M7-5-230110S	Upper Table Rear Ass'y (For Photo Eye) (Stainless Steel Model)(For TP-702P, 850W/1050W)(Option)	1	
14	M7-5-101901	Cover	1	
15	T7-5-20210	Rubber Plug	4	
16	TK-035	Interlock Safety Switch	2	
17	H45-60160	Sealing Switch	1	
18	T5-2-10500	Cable Gland (PG9)	2	
19	T7-5-10210	Switch Actuator	1	
20	T7-2-10280	Block (For TP-702P, 650W/TP-702RS)	1	
	T7-2-10281	Block (For TP-702P, 850W/1050W)	1	
21	T6-6-60130	Pin	2	
26	HBS0508N	HBS, M5×8 (N)(For TP-702P, 850W/1050W)	2	
	HBS0508S	HBS, M5×8 (Stainless Steel Model) (For TP-702P, 850W/1050W)	2	
27	HBS0516N	HBS, M5×16 (N)	4	

5-2

COVER GROUP

M7-5-200201

a.

(For TP-702P, 650W~1050W/TP-702RS)

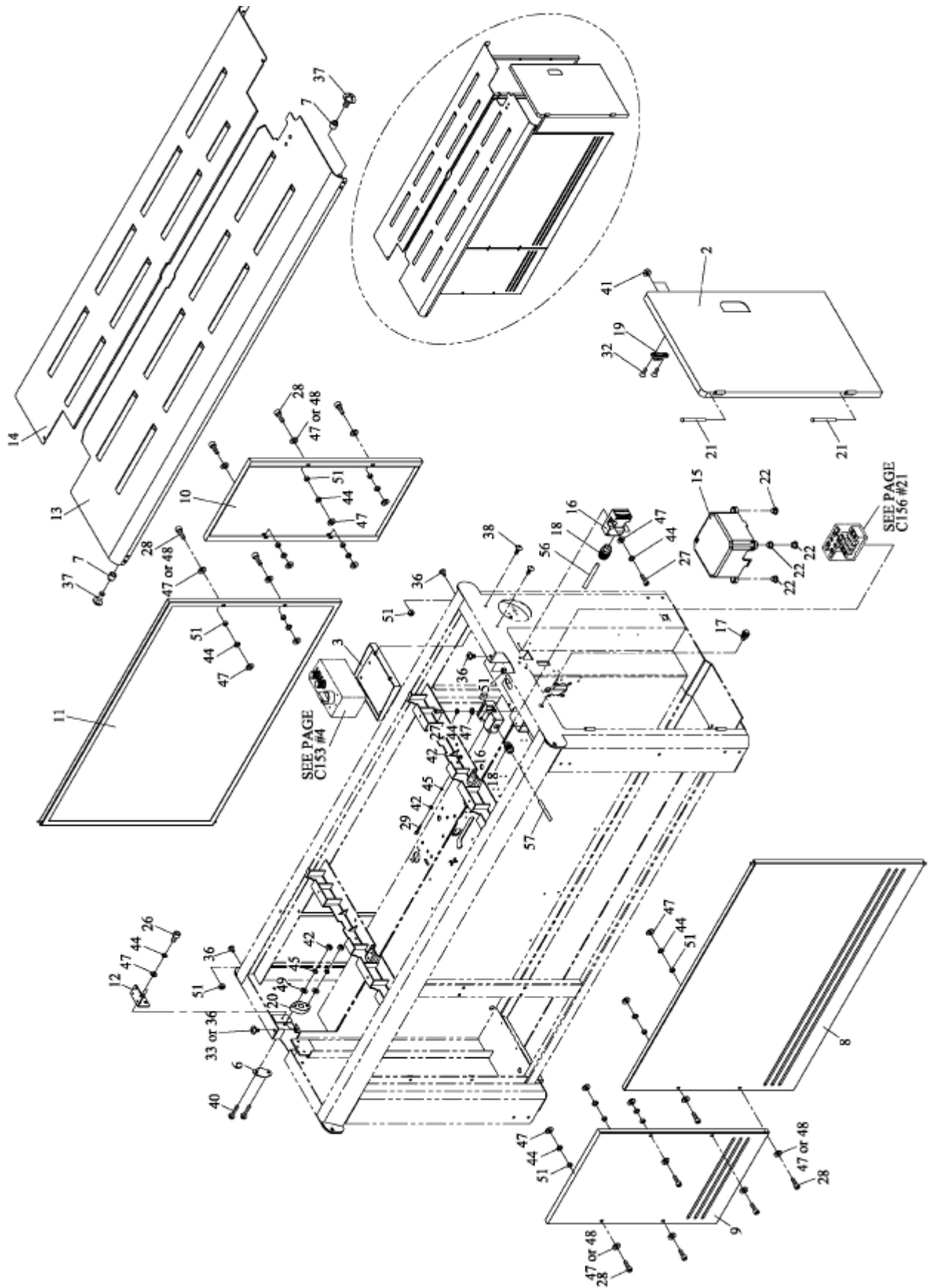
M7-5-200211

REF. NO.	PART NO.	DESCRIPTION	Q'TY	POLYCHEM PART #
28	HBS0525N	HBS, M5×25 (N)	4	
	HBS0525S	HBS, M5×25 (Stainless Steel Model)	4	
32	FMS0512	FMS, M5×12	2	
33	FMS0520S	FMS, M5×20 (SUS)(For TP-702P, 850W/1050W)	1	
35	TMS0512	TMS, M5×12 (Option)	2	
	TMS0512S	TMS, M5×12 (Stainless Steel Model)(Option)	2	
36	TMS0520S	TMS, M5×20 (SUS)(For TP-702P, 650W)	4	
		TMS, M5×20 (SUS)(For TP-702P, 850W/1050W)	3	
37	TMS0610S	TMS, M6×10 (SUS)	2	
38	THS0508N	THS, M5×8 (N)(Option)	2	
	THS0508S	THS, M5×8 (Stainless Steel Model)(Option)	2	
40	THS0630N	THS, M6×30 (N)	2	
	THS0630S	THS, M6×30 (Stainless Steel Model)	2	
41	FLG05	FLG, M5	2	
42	HN06	HN, M6	2	
43	SW05S	SW, M5 (Stainless Steel Model)(Option)	2	
44	SW05	SW, M5 (For TP-702P, 650W/TP-702RS)	8	
		SW, M5 (For TP-702P, 650W/TP-702RS) (Option)	10	
		SW, M5 (For TP-702P, 850W/1050W)	10	
		SW, M5 (For TP-702P, 850W/1050W)(Option)	12	
45	SW06	SW, M6	2	
47	PW05	PW, M5 (For TP-702P, 650W/TP-702RS)	12	
		PW, M5 (For TP-702P, 850W/1050W)	14	
48	PW05S	PW, M5 (Stainless Steel Model)	4	
49	PW06A	PW, M6 (A)	2	
51	NTE05	NTE, M5	8	
56	EW720010E001	Wire Ass'y (For TP-702P, 650W~1050W)	1	
	EW720005B001	Wire Ass'y (For TP-702RS)	1	
57	EW720006C002	Wire Ass'y (For TP-702P, 650W~1050W)	1	
	EW720005B002	Wire Ass'y (For TP-702RS)	1	

5-2
b.

COVER GROUP (For TP-702P, 1250W/1650W)

M7-5-200241
M7-5-200251



5-2
b.

COVER GROUP
(For TP-702P, 1250W/1650W)

M7-5-200241
M7-5-200251

REF. NO.	PART NO.	DESCRIPTION	Q'TY	POLYCHEM PART #
	M7-5-200241	Cover Group (For TP-702P, 5-6mm, 1250W)	1	
	M7-5-200241S	Cover Group (Stainless Steel Model) (For TP-702P, 5-6mm, 1250W)	1	
	M7-5-200251	Cover Group (For TP-702P, 9mm, 1250W)	1	
	M7-5-200251S	Cover Group (Stainless Steel Model) (For TP-702P, 9mm, 1250W)	1	
	M7-5-200261	Cover Group (For TP-702P, 5-6mm, 1650W)	1	
	M7-5-200261S	Cover Group (Stainless Steel Model) (For TP-702P, 5-6mm, 1650W)	1	
	M7-5-200271	Cover Group (For TP-702P, 9mm, 1650W)	1	
	M7-5-200271S	Cover Group (Stainless Steel Model) (For TP-702P, 9mm, 1650W)	1	
2	M7-5-201201	Side Door	1	
	M7-5-201201S	Side Door (Stainless Steel Model)	1	
3	M7-5-202500	Bracket (Option)	1	
6	M7-5-201600	Cover (Only 1250W)	1	
	M7-5-201600S	Cover (Stainless Steel Model)(Only 1250W)	1	
7	M7-5-201701	Table Support	2	
	M7-5-201701S	Table Support (Stainless Steel Model)	2	
8	M7-5-201130	Front Door (Right)	1	
	M7-5-201130S	Front Door (Right)(Stainless Steel Model)	1	
9	M7-5-201901	Front Door (Left)	1	
	M7-5-201901S	Front Door (Left)(Stainless Steel Model)	1	
10	M7-5-202001	Rear Door (Right)	1	
	M7-5-202001S	Rear Door (Right)(Stainless Steel Model)	1	
11	M7-5-201311	Rear Door (Left)	1	
	M7-5-201311S	Rear Door (Left)(Stainless Steel Model)	1	
12	M7-5-202200	Guide LH Plate (Only 1650W)	1	
13	M7-5-220041	Upper Table Front Ass'y (For 5-6mm, 1250W)	1	SEE PAGE C133
	M7-5-220041S	Upper Table Front Ass'y (Stainless Steel Model)(For 5-6mm, 1250W)	1	
	M7-5-220051	Upper Table Front Ass'y (For 9mm, 1250W)	1	
	M7-5-220051S	Upper Table Front Ass'y (Stainless Steel Model)(For 9mm, 1250W)	1	
	M7-5-220071	Upper Table Front Ass'y (For 5-6mm, 1650W)	1	
	M7-5-220071S	Upper Table Front Ass'y (Stainless Steel Model)(For 5-6mm, 1650W)	1	
	M7-5-220081	Upper Table Front Ass'y (For 9mm, 1650W)	1	
	M7-5-220081S	Upper Table Front Ass'y (Stainless Steel Model)(For 9mm, 1650W)	1	

5-2**b.**

**COVER GROUP
(For TP-702P, 1250W/1650W)**

M7-5-200241**M7-5-200251**

REF. NO.	PART NO.	DESCRIPTION	Q'TY	POLYCHEM PART #
14	M7-5-230120	Upper Table Rear Ass'y (For 1250W)	1	SEE PAGE C137
	M7-5-230120S	Upper Table Rear Ass'y (Stainless Steel Model)(For 1250W)	1	
	M7-5-230130	Upper Table Rear Ass'y (For Photo Eye) (For 1250W)(Option)	1	
	M7-5-230130S	Upper Table Rear Ass'y (For Photo Eye) (Stainless Steel Model)(For 1250W) (Option)	1	
	M7-5-230140	Upper Table Rear Ass'y (For 1650W)	1	
	M7-5-230140S	Upper Table Rear Ass'y (Stainless Steel Model)(For 1650W)	1	
	M7-5-230150	Upper Table Rear Ass'y (For Photo Eye) (For 1650W)(Option)	1	
	M7-5-230150S	Upper Table Rear Ass'y (For Photo Eye) (Stainless Steel Model)(For 1650W) (Option)	1	
15	M7-5-101901	Cover	1	
16	TK-035	Interlock Safety Switch	2	
17	H45-60160	Sealing Switch	1	
18	T5-2-10500	Cable Gland (PG9)	2	
19	T7-5-10210	Switch Actuator	1	
20	T7-2-10280	Block (For 1250W)	1	
	T7-2-10281	Block (For 1650W)	1	
21	T6-6-60130	Pin	2	
22	T7-5-20210	Rubber Plug	4	
26	HBS0508N	HBS, M5×8 (N)(For 1650W)	2	
27	HBS0516N	HBS, M5×16 (N)	4	
28	HBS0525N	HBS, M5×25 (N)	12	
	HBS0525S	HBS, M5×25 (Stainless Steel Model)	12	
29	HBS0625N	HBS, M6×25 (N)	1	
32	FMS0512	FMS, M5×12	2	
33	FMS0520S	FMS, M5×20 (SUS)(Only 1650W)	1	
36	TMS0520S	TMS, M5×20 (SUS)(For 1250W)	4	
		TMS, M5×20 (SUS)(For 1650W)	3	
37	TMS0610S	TMS, M6×10 (SUS)	2	
38	THS0508N	THS, M5×8 (N)(Option)	2	
	THS0508S	THS, M5×8 (Stainless Steel Model)(Option)	2	

5-2**b.**

COVER GROUP
(For TP-702P, 1250W/1650W)

M7-5-200241**M7-5-200251**

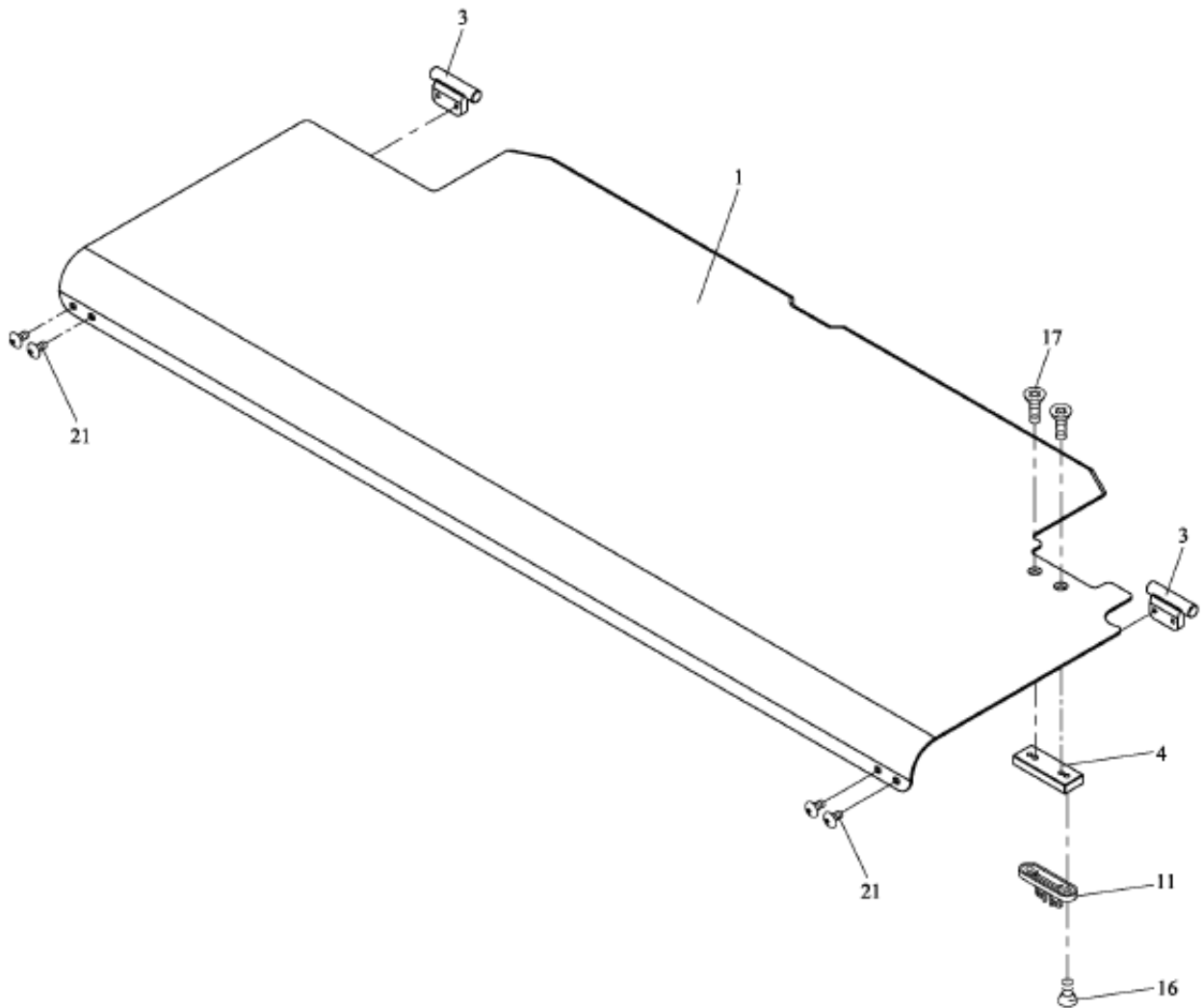
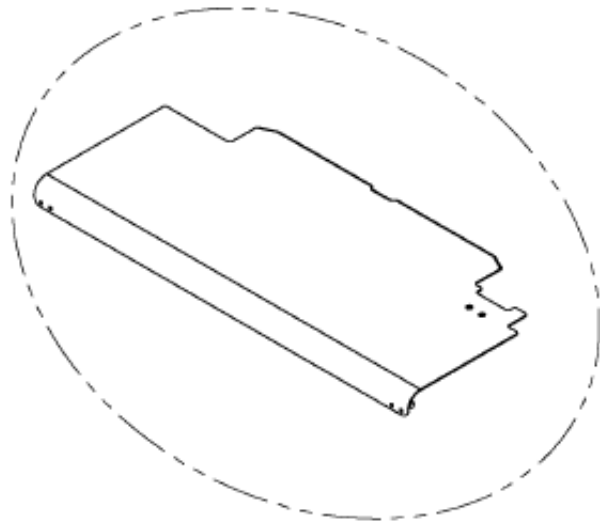
REF. NO.	PART NO.	DESCRIPTION	Q'TY	POLYCHEM PART #
40	THS0630N	THS, M6×30 (N)	2	
	THS0630S	THS, M6×30 (Stainless Steel Model)	2	
41	FLG05	FLG, M5	2	
42	HN06	HN, M6	4	
44	SW05	SW, M5 (For 1250W)	16	
		SW, M5 (For 1650W)	18	
45	SW06	SW, M6	3	
47	PW05	PW, M5 (For 1250W)	28	
		PW, M5 (For 1650W)	30	
48	PW05S	PW, M5 (Stainless Steel Model)	12	
49	PW06A	PW, M6 (A)	2	
51	NTE05	NTE, M5	16	
56	EW720012F001	Wire Ass'y (For 1250W/1650W)	1	
57	EW720012F002	Wire Ass'y (For 1250W/1650W)	1	

5-2-1

UPPER TABLE FRONT ASS'Y
(For TP-702P, 650W/TP-702RS)

M7-5-210031

M7-5-210041



5-2-1

**UPPER TABLE FRONT ASS'Y
(For TP-702P, 650W/TP-702RS)**

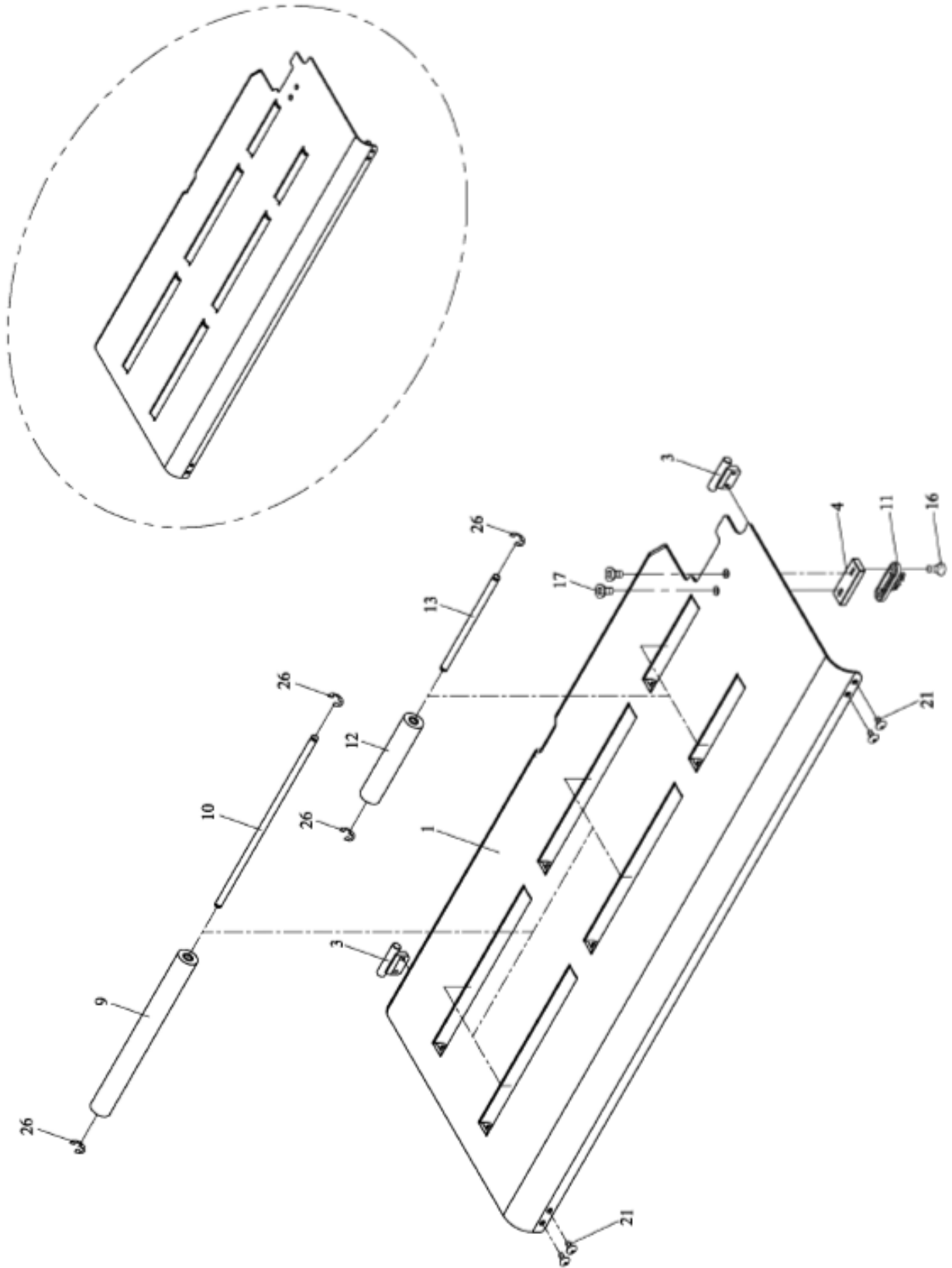
**M7-5-210031
M7-5-210041**

REF. NO.	PART NO.	DESCRIPTION	Q'TY	POLYCHEM PART #	
1	M7-5-210031	Upper Table Front Ass'y (For 5-6mm, 650W)	1		
	M7-5-210031S	Upper Table Front Ass'y (Stainless Steel Model)(For 5-6mm, 650W)	1		
	M7-5-210041	Upper Table Front Ass'y (For 9mm, 650W)	1		
	M7-5-210041S	Upper Table Front Ass'y (Stainless Steel Model)(For 9mm, 650W)	1		
	M7-5-210050	Upper Table Front Ass'y (For TP-702RS, 5-6mm)	1		
	M7-5-210060	Upper Table Front Ass'y (For TP-702RS, 9mm)	1		
	M7-5-211131	Upper Table Front (For TP-702P, 5-6mm, 650W)	1		
	M7-5-211131S	Upper Table Front (Stainless Steel Model) (For TP-702P, 5-6mm, 650W)	1		
	M7-5-211141	Upper Table Front (For TP-702P, 9mm, 650W)	1		
	M7-5-211141S	Upper Table Front (Stainless Steel Model) (For TP-702P, 9mm, 650W)	1		
	M7-5-211200	Upper Table Front (For TP-702RS, 5-6mm)	1		
	M7-5-211210	Upper Table Front (For TP-702RS, 9mm)	1		
	3	M7-5-211301	Shaft	2	
		M7-5-211301S	Shaft (Stainless Steel Model)	2	
4	M7-5-211400	Bracket	1		
11	T7-5-10210	Switch Actuator	1		
16	FMS0510N	FMS, M5×10 (N)	2		
17	FMS0510S	FMS, M5×10 (SUS)	2		
21	THS0510S	THS, M5×10 (SUS)	4		

5-2-2

UPPER TABLE FRONT ASS'Y
(For TP-702P, 850W--1650W)

M7-5-220001
M7-5-220011



5-2-2

**UPPER TABLE FRONT ASS'Y
(For TP-702P, 850W~1650W)**

**M7-5-220001
M7-5-220011**

REF. NO.	PART NO.	DESCRIPTION	Q'TY	POLYCHEM PART #
	M7-5-220001	Upper Table Front Ass'y (For TP-702P, 5-6mm, 850W/1050W)	1	
	M7-5-220001S	Upper Table Front Ass'y (Stainless Steel Model)(For TP-702P, 5-6mm, 850W/1050W)	1	
	M7-5-220011	Upper Table Front Ass'y (For TP-702P, 9mm, 850W/1050W)	1	
	M7-5-220011S	Upper Table Front Ass'y (Stainless Steel Model)(For TP-702P, 9mm, 850W/1050W)	1	
	M7-5-220041	Upper Table Front Ass'y (For TP-702P, 5-6mm, 1250W)	1	
	M7-5-220041S	Upper Table Front Ass'y (Stainless Steel Model)(For TP-702P, 5-6mm, 1250W)	1	
	M7-5-220051	Upper Table Front Ass'y (For TP-702P, 9mm, 1250W)	1	
	M7-5-220051S	Upper Table Front Ass'y (Stainless Steel Model)(For TP-702P, 9mm, 1250W)	1	
	M7-5-220071	Upper Table Front Ass'y (For TP-702P, 5-6mm, 1650W)	1	
	M7-5-220071S	Upper Table Front Ass'y (Stainless Steel Model)(For TP-702P, 5-6mm, 1650W)	1	
	M7-5-220081	Upper Table Front Ass'y (For TP-702P, 9mm, 1650W)	1	
	M7-5-220081S	Upper Table Front Ass'y (Stainless Steel Model)(For TP-702P, 9mm, 1650W)	1	
1	M7-5-221101	Upper Table Front (For 5-6mm, 850W/1050W)	1	
	M7-5-221101S	Upper Table Front (Stainless Steel Model) (For 5-6mm, 850W/1050W)	1	
	M7-5-221111	Upper Table Front (For 9mm, 850W/1050W)	1	
	M7-5-221111S	Upper Table Front (Stainless Steel Model) (For 9mm, 850W/1050W)	1	
	M7-5-221141	Upper Table Front (For 5-6mm, 1250W)	1	
	M7-5-221141S	Upper Table Front (Stainless Steel Model) (For 5-6mm, 1250W)	1	
	M7-5-221151	Upper Table Front (For 9mm, 1250W)	1	
	M7-5-221151S	Upper Table Front (Stainless Steel Model) (For 9mm, 1250W)	1	
	M7-5-221171	Upper Table Front (For 5-6mm, 1650W)	1	
	M7-5-221171S	Upper Table Front (Stainless Steel Model) (For 5-6mm, 1650W)	1	
	M7-5-221181	Upper Table Front (For 9mm, 1650W)	1	
	M7-5-221181S	Upper Table Front (Stainless Steel Model) (For 9mm, 1650W)	1	

5-2-2

UPPER TABLE FRONT ASS'Y
(For TP-702P, 850W~1650W)

M7-5-220001
M7-5-220011

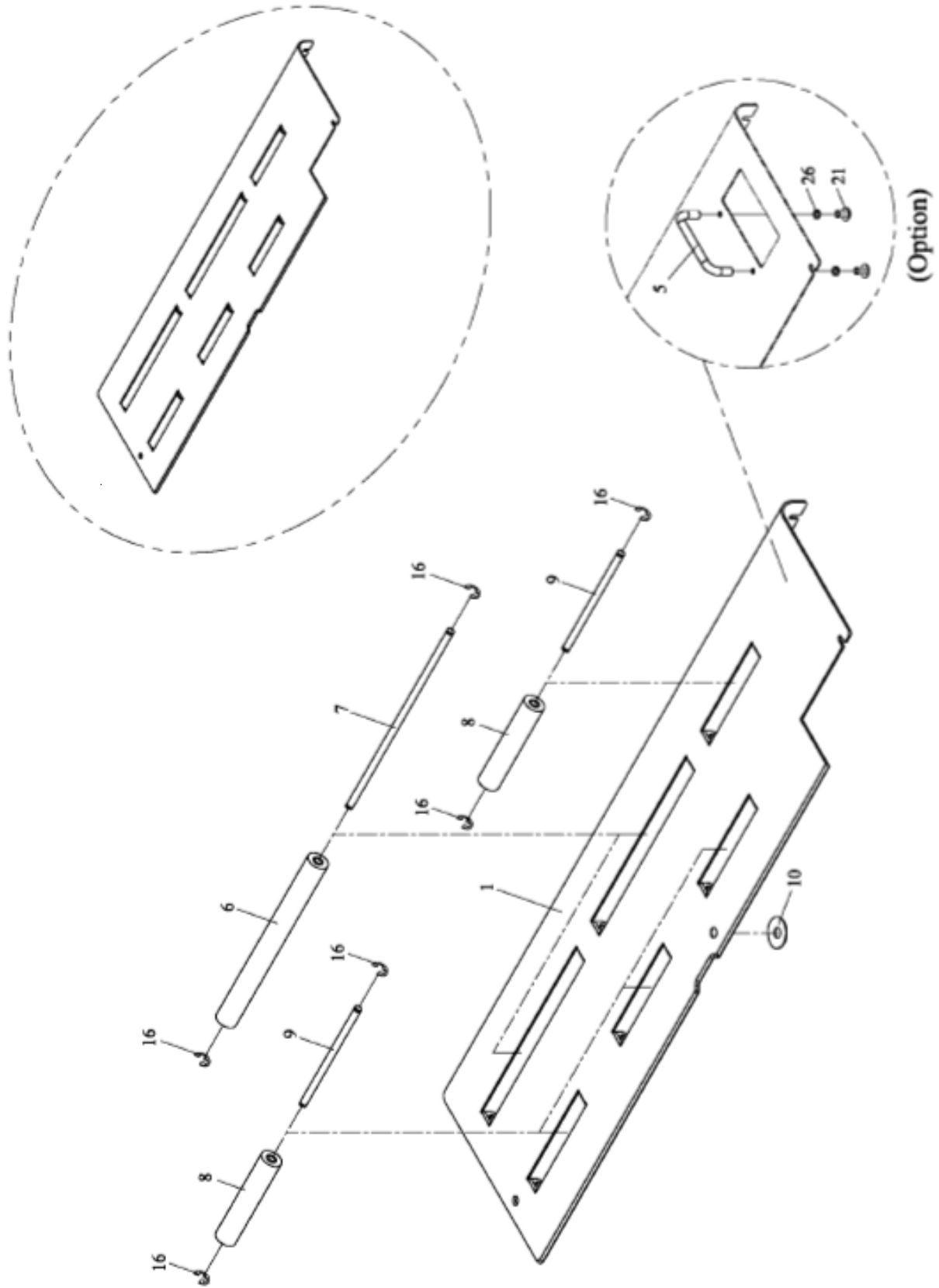
REF. NO.	PART NO.	DESCRIPTION	Q'TY	POLYCHEM PART #
3	M7-5-211301	Shaft	2	
	M7-5-211301S	Shaft (Stainless Steel Model)	2	
4	M7-5-211400	Bracket	1	
9	T6-5-11120	Table Roller (250mm)(For 850W/1050W)	4	
		Table Roller (250mm)(For 1250W/1650W)	8	
	T6-5-11121	Table Roller (250mm)(Stainless Steel Model) (For 850W/1050W)	4	
		Table Roller (250mm)(Stainless Steel Model) (For 1250W/1650W)	8	
10	T6-5-11130	Table Roller Shaft (For 850W/1050W)	4	
		Table Roller Shaft (For 1250W/1650W)	8	
	T6-5-11131	Table Roller Shaft (Stainless Steel Model) (For 850W/1050W)	4	
		Table Roller Shaft (Stainless Steel Model) (For 1250W/1650W)	8	
11	T7-5-10210	Switch Actuator	1	
12	T7-5-40410	Table Roller (130mm)(For 850W/1050W)	2	
	T7-5-40411	Table Roller (130mm)(Stainless Steel Model) (For 850W/1050W)	2	
13	T7-5-40420	Table Roller Shaft (For 850W/1050W)	2	
	T7-5-40420S	Table Roller Shaft (Stainless Steel Model) (For 850W/1050W)	2	
16	FMS0510N	FMS, M5×10 (N)	2	
17	FMS0510S	FMS, M5×10 (SUS)	2	
21	THS0510S	THS, M5×10 (SUS)	4	
26	ER07	Snap Ring, E-7 (For 850W/1050W)	12	
		Snap Ring, E-7 (For 1250W/1650W)	16	
	ER07S	Snap Ring, E-7 (Stainless Steel Model) (For 850W/1050W)	12	
		Snap Ring, E-7 (Stainless Steel Model) (For 1250W/1650W)	16	



5-2-3

UPPER TABLE REAR ASS'Y
(For TP-702P, 850W--1650W)

M7-5-230100
M7-5-230110



5-2-3

**UPPER TABLE REAR ASS'Y
(For TP-702P, 850W~1650W)**

**M7-5-230100
M7-5-230110**

REF. NO.	PART NO.	DESCRIPTION	Q'TY	POLYCHEM PART #
	M7-5-230100	Upper Table Rear Ass'y (For TP-702P, 850W/1050W)	1	
	M7-5-230100S	Upper Table Rear Ass'y (Stainless Steel Model) (For TP-702P, 850W/1050W)	1	
	M7-5-230110	Upper Table Rear Ass'y (For Photo Eye) (For TP-702P, 850W/1050W)(Option)	1	
	M7-5-230110S	Upper Table Rear Ass'y (For Photo Eye) (Stainless Steel Model)(For TP-702P, 850W/1050W)(Option)	1	
	M7-5-230120	Upper Table Rear Ass'y (For TP-702P, 1250W)	1	
	M7-5-230120S	Upper Table Rear Ass'y (Stainless Steel Model)(For TP-702P, 1250W)	1	
	M7-5-230130	Upper Table Rear Ass'y (For Photo Eye) (For TP-702P, 1250W)(Option)	1	
	M7-5-230130S	Upper Table Rear Ass'y (For Photo Eye) (Stainless Steel Model)(For TP-702P, 1250W) (Option)	1	
	M7-5-230140	Upper Table Rear Ass'y (For TP-702P, 1650W)	1	
	M7-5-230140S	Upper Table Rear Ass'y (Stainless Steel Model)(For TP-702P, 1650W)	1	
	M7-5-230150	Upper Table Rear Ass'y (For Photo Eye) (For TP-702P, 1650W)(Option)	1	
	M7-5-230150S	Upper Table Rear Ass'y (For Photo Eye) (Stainless Steel Model)(For TP-702P, 1650W) (Option)	1	
1	M7-5-231300	Upper Table Rear (For 850W/1050W)	1	
	M7-5-231300S	Upper Table Rear (Stainless Steel Model) (For 850W/1050W)	1	
	M7-5-231310	Upper Table Rear (For Photo Eye) (For 850W/1050W)(Option)	1	
	M7-5-231310S	Upper Table Rear (For Photo Eye)(Stainless Steel Model)(For 850W/1050W)(Option)	1	
	M7-5-231320	Upper Table Rear (For 1250W)	1	
	M7-5-231320S	Upper Table Rear (Stainless Steel Model) (For 1250W)	1	
	M7-5-231330	Upper Table Rear (For Photo Eye)(For 1250W) (Option)	1	
	M7-5-231330S	Upper Table Rear (For Photo Eye)(Stainless Steel Model)(For 1250W)(Option)	1	
	M7-5-231340	Upper Table Rear (For 1650W)	1	
	M7-5-231340S	Upper Table Rear (Stainless Steel Model) (For 1650W)	1	

5-2-3

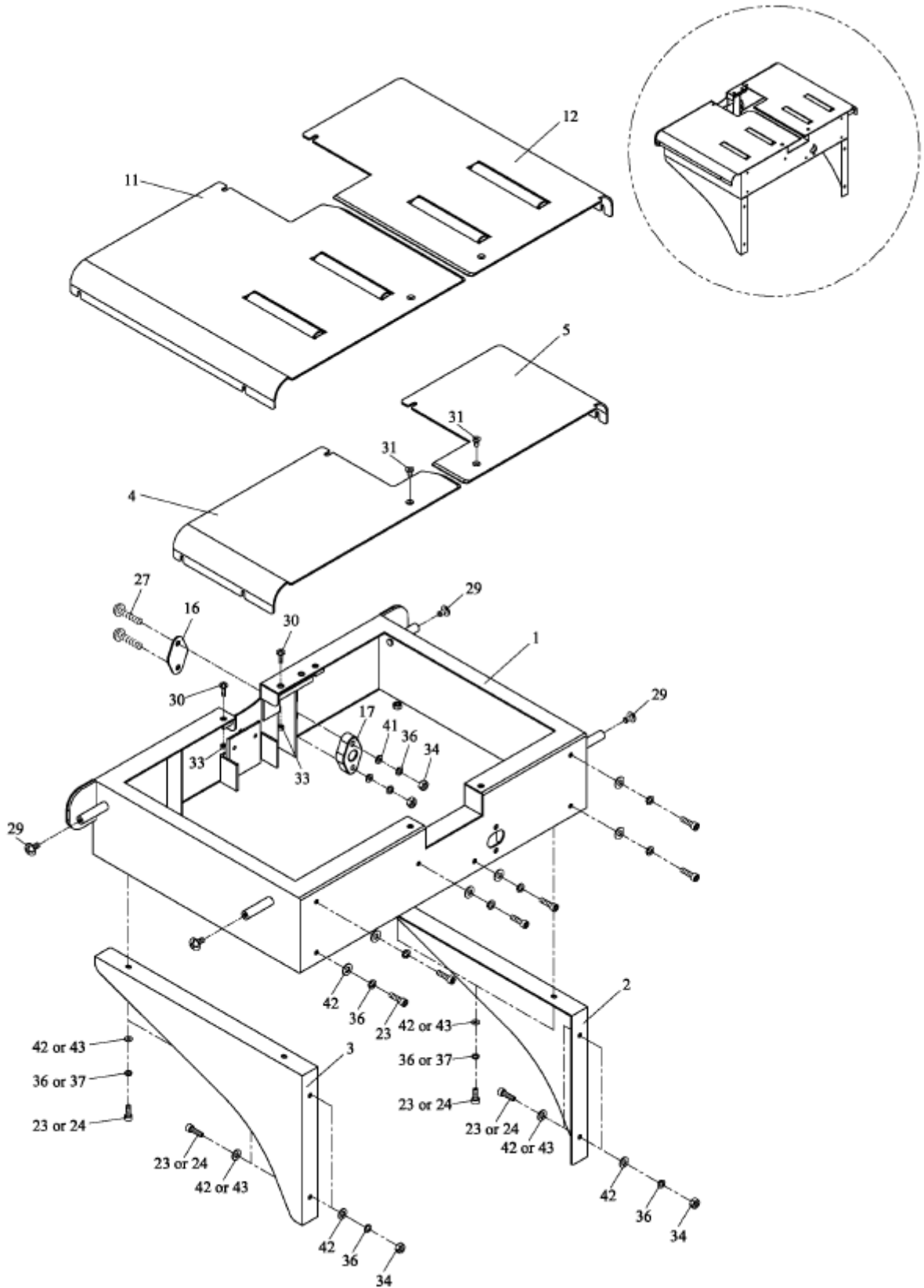
**UPPER TABLE REAR ASS'Y
(For TP-702P, 850W~1650W)**

**M7-5-230100
M7-5-230110**

REF. NO.	PART NO.	DESCRIPTION	Q'TY	POLYCHEM PART #
	M7-5-231350	Upper Table Rear (For Photo Eye)(For 1650W) (Option)	1	
	M7-5-231350S	Upper Table Rear (For Photo Eye)(Stainless Steel Model)(For 1650W)(Option)	1	
5	M7-6-102100	Handle (Option)	1	
	M7-6-102100S	Handle (Stainless Steel Model)(Option)	1	
6	T6-5-11120	Table Roller (250mm)(For 850W/1050W)	2	
		Table Roller (250mm)(For 1250W/1650W)	7	
	T6-5-11121	Table Roller (250mm)(Stainless Steel Model) (For 850W/1050W)	2	
		Table Roller (250mm)(Stainless Steel Model) (For 1250W/1650W)	7	
7	T6-5-11130	Table Roller Shaft (For 850W/1050W)	2	
		Table Roller Shaft (For 1250W/1650W)	7	
	T6-5-11131	Table Roller Shaft (Stainless Steel Model) (For 850W/1050W)	2	
		Table Roller Shaft (Stainless Steel Model) (For 1250W/1650W)	7	
8	T7-5-40410	Table Roller (130mm)(For 850W/1050W)	4	
		Table Roller (130mm)(For 1250W/1650W)	1	
	T7-5-40411	Table Roller (Stainless Steel Model) (For 850W/1050W)	4	
		Table Roller (Stainless Steel Model) (For 1250W/1650W)	1	
9	T7-5-40420	Table Roller Shaft (For 850W/1050W)	4	
		Table Roller Shaft (For 1250W/1650W)	1	
	T7-5-40420S	Table Roller Shaft (Stainless Steel Model) (For 850W/1050W)	4	
		Table Roller Shaft (Stainless Steel Model) (For 1250W/1650W)	1	
10	LA-50240	Label (Option)	1	
16	ER07	Snap Ring, E-7 (For 850W/1050W)	12	
		Snap Ring, E-7 (For 1250W/1650W)	16	
	ER07S	Snap Ring, E-7 (Stainless Steel Model) (For 850W/1050W)	12	
		Snap Ring, E-7 (Stainless Steel Model) (For 1250W/1650W)	16	
21	TMS0512	TMS, M5×12 (Option)	2	
	TMS0512S	TMS, M5×12 (Stainless Steel Model)(Option)	2	
26	SW05	SW, M5 (Option)	2	
	SW05S	SW, M5 (Stainless Steel Model)(Option)	2	



EXTENSION TABLE GROUP M7-5-300060
(For TP-702P, 850W/1050W/1650W) M7-5-300070



5-3

EXTENSION TABLE GROUP
(For TP-702P, 850W/1050W/1650W)

M7-5-300060
M7-5-300070

REF. NO.	PART NO.	DESCRIPTION	Q'TY	POLYCHEM PART #
	M7-5-300060	Extension Table Group (For TP-702P, 5-6mm, 850W)	1	
	M7-5-300060S	Extension Table Group (Stainless Steel Model) (For TP-702P, 5-6mm, 850W)	1	
	M7-5-300070	Extension Table Group (For TP-702P, 9mm, 850W)	1	
	M7-5-300070S	Extension Table Group (Stainless Steel Model) (For TP-702P, 9mm, 850W)	1	
	M7-5-300080	Extension Table Group (For TP-702P, 5-6mm, 1050W/1650W)	1	
	M7-5-300080S	Extension Table Group (Stainless Steel Model) (For TP-702P, 5-6mm, 1050W/1650W)	1	
	M7-5-300090	Extension Table Group (For TP-702P, 9mm, 1050W/1650W)	1	
	M7-5-300090S	Extension Table Group (Stainless Steel Model) (For TP-702P, 9mm, 1050W/1650W)	1	
1	M7-5-302100	Extension Table (For 850W)	1	
	M7-5-302100S	Extension Table (Stainless Steel Model) (For 850W)	1	
	M7-5-302110	Extension Table (For 1050W/1650W)	1	
	M7-5-302110S	Extension Table (Stainless Steel Model) (For 1050W/1650W)	1	
2	M7-5-301210	Rack (Right)(For 850W)	1	
	M7-5-301210S	Rack (Right)(Stainless Steel Model)(For 850W)	1	
	M7-5-301200	Rack (Right)(For 1050W/1650W)	1	
	M7-5-301200S	Rack (Right)(Stainless Steel Model) (For 1050W/1650W)	1	
3	M7-5-301310	Rack (Left)(For 850W)	1	
	M7-5-301310S	Rack (Left)(Stainless Steel Model)(For 850W)	1	
	M7-5-301300	Rack (Left)(For 1050W/1650W)	1	
	M7-5-301300S	Rack (Left)(Stainless Steel Model) (For 1050W/1650W)	1	
4	M7-5-301401	Upper Table Front (For 5-6mm, 850W)	1	
	M7-5-301401S	Upper Table Front (Stainless Steel Model) (For 5-6mm, 850W)	1	
	M7-5-301411	Upper Table Front (For 9mm, 850W)	1	
	M7-5-301411S	Upper Table Front (Stainless Steel Model) (For 9mm, 850W)	1	
5	M7-5-301510	Upper Table Rear (Only 850W)	1	
	M7-5-301510S	Upper Table Rear (Stainless Steel Model) (Only 850W)	1	

5-3

EXTENSION TABLE GROUP
(For TP-702P, 850W/1050W/1650W)

M7-5-300060
M7-5-300070

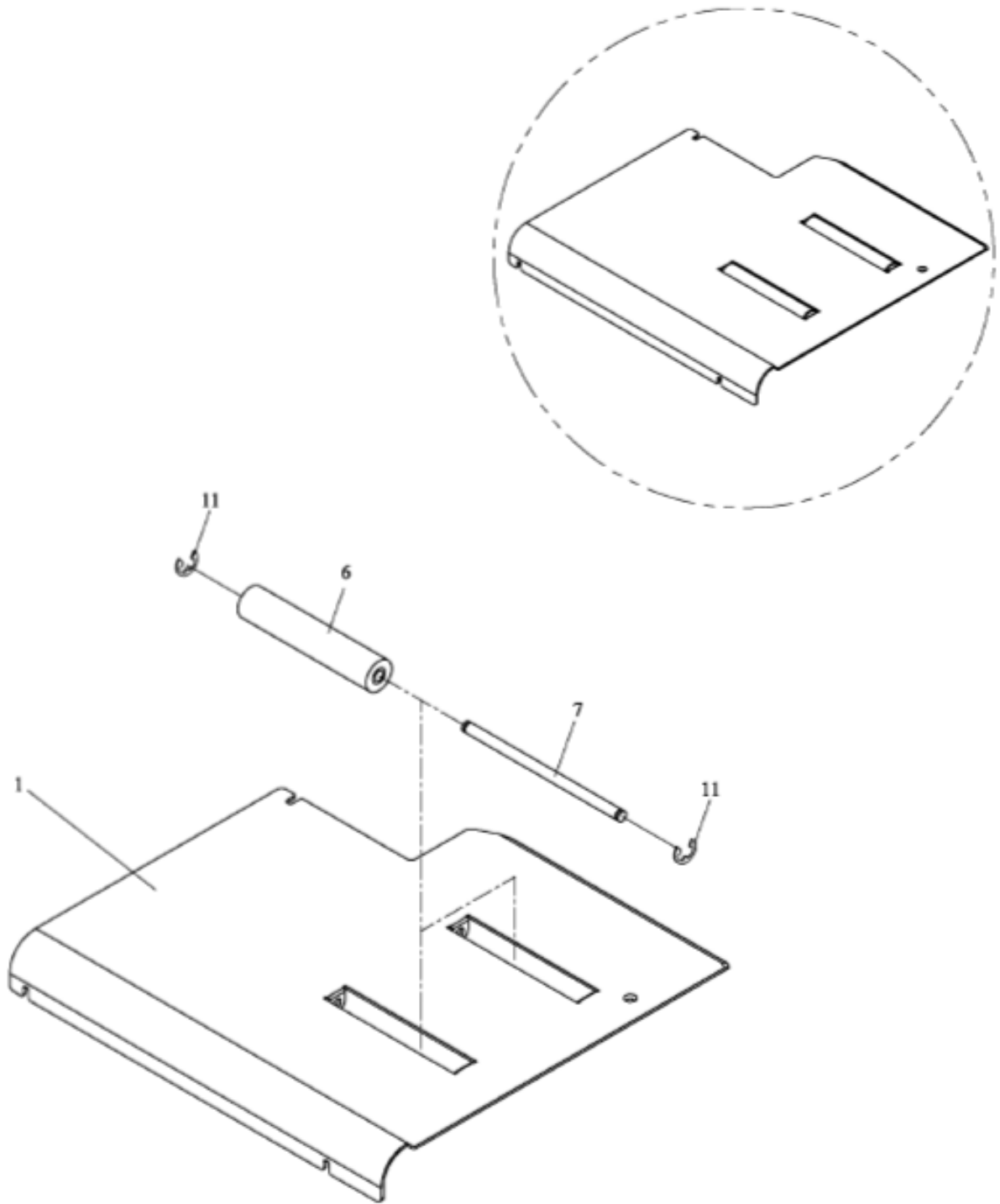
REF. NO.	PART NO.	DESCRIPTION	Q'TY	POLYCHEM PART #
11	M7-5-310001	Upper Table Front Ass'y (For 5-6mm, 1050W/1650W)	1	SEE PAGE C145
	M7-5-310001S	Upper Table Front Ass'y (Stainless Steel Model)(For 5-6mm, 1050W/1650W)	1	
	M7-5-310011	Upper Table Front Ass'y (For 9mm, 1050W/1650W)	1	
	M7-5-310011S	Upper Table Front Ass'y (Stainless Steel Model)(For 9mm, 1050W/1650W)	1	
12	M7-5-320010	Upper Table Rear Ass'y (For 1050W/1650W)	1	SEE PAGE C147
	M7-5-320010S	Upper Table Rear Ass'y (Stainless Steel Model)(For 1050W/1650W)	1	
16	M7-5-201600	Cover	1	
	M7-5-201600S	Cover (Stainless Steel Model)	1	
17	T7-2-10280	Block	1	
23	HBS0616N	HBS, M6×16 (N)(For 850W)	6	
		HBS, M6×16 (N)(For 1050W/1650W)	14	
24	HBS0616S	HBS, M6×16 (Stainless Steel Model) (For 1050W/1650W)	8	
27	THS0630N	THS, M6×30 (N)	2	
	THS0630S	THS, M6×30 (Stainless Steel Model)	2	
29	TMS0512S	TMS, M5×12 (SUS)	4	
30	TMS0520S	TMS, M5×20 (SUS)	2	
31	FMS0512S	FMS, M5×12 (SUS)	2	
33	HN05	HN, M5	2	
34	HN06	HN, M6 (For 850W)	2	
		HN, M6 (For 1050W/1650W)	6	
36	SW06	SW, M6 (For 850W)	8	
		SW, M6 (For 1050W/1650W)	16	
37	SW06S	SW, M6 (Stainless Steel Model) (For 1050W/1650W)	4	
41	PW06A	PW, M6 (A)	2	
42	PW06C	PW, M6 (C)(For 850W)	6	
		PW, M6 (C)(For 1050W/1650W)	18	
43	PW06CS	PW, M6 (C)(Stainless Steel Model) (For 1050W/1650W)	8	



5-3-1

UPPER TABLE FRONT ASS'Y
(For 1050W/1650W)

M7-5-310001
M7-5-310011



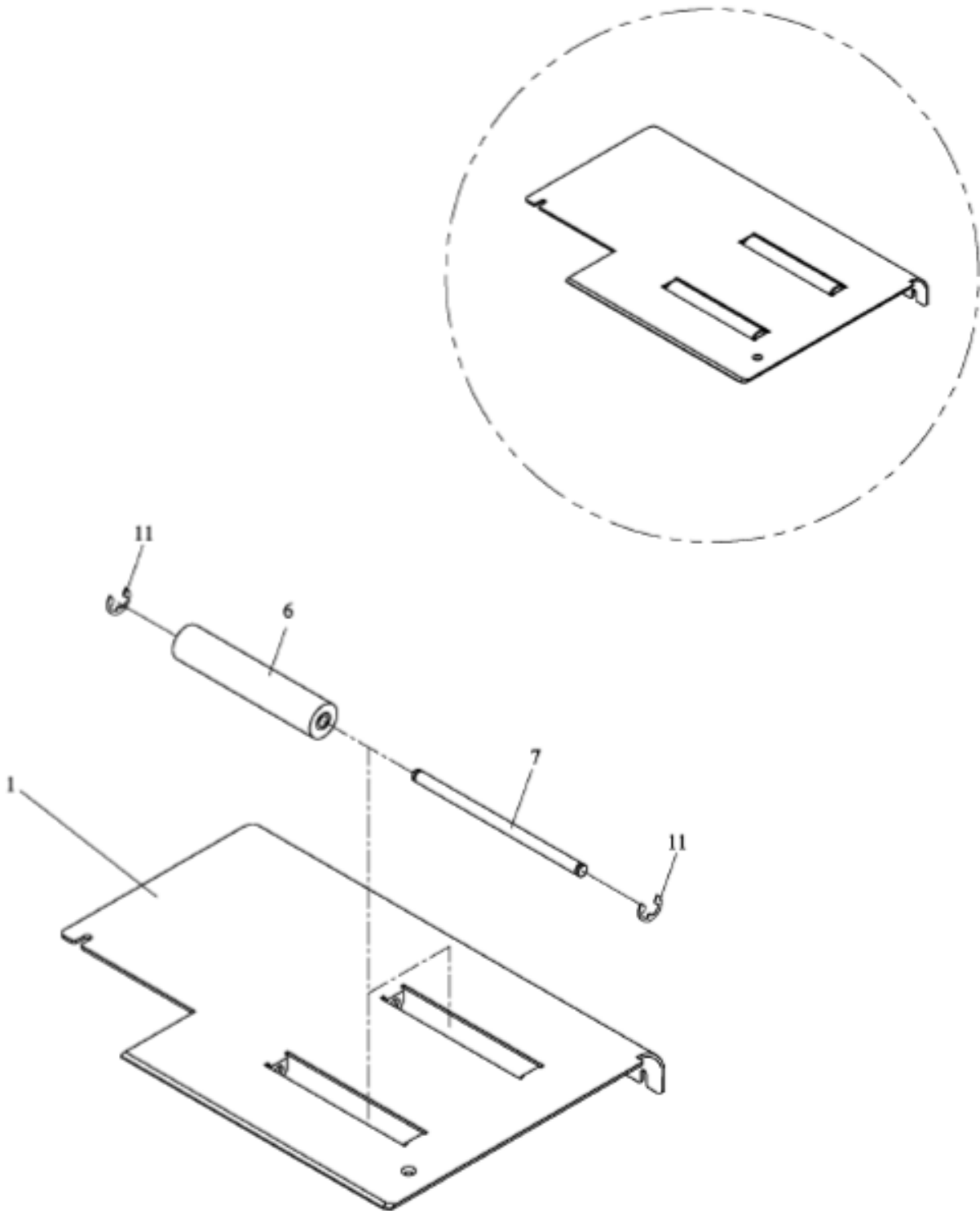
5-3-1**UPPER TABLE FRONT ASS'Y
(For 1050W/1650W)****M7-5-310001
M7-5-310011**

REF. NO.	PART NO.	DESCRIPTION	Q'TY	POLYCHEM PART #
	M7-5-310001	Upper Table Front Ass'y (For 5-6mm, 1050W/1650W)	1	
	M7-5-310001S	Upper Table Front Ass'y (Stainless Steel Model)(For 5-6mm, 1050W/1650W)	1	
	M7-5-310011	Upper Table Front Ass'y (For 9mm, 1050W/1650W)	1	
	M7-5-310011S	Upper Table Front Ass'y (Stainless Steel Model)(For 9mm, 1050W/1650W)	1	
1	M7-5-311101	Upper Table Front (For 5-6mm)	1	
	M7-5-311101S	Upper Table Front (Stainless Steel Model) (For 5-6mm)	1	
	M7-5-311111	Upper Table Front (For 9mm)	1	
	M7-5-311111S	Upper Table Front (Stainless Steel Model) (For 9mm)	1	
6	T7-5-40410	Table Roller (130mm)	2	
	T7-5-40411	Table Roller (130mm)(Stainless Steel Model)	2	
7	T7-5-40420	Table Roller Shaft	2	
	T7-5-40420S	Table Roller Shaft (Stainless Steel Model)	2	
11	ER07	Snap Ring, E-7	4	
	ER07S	Snap Ring, E-7 (Stainless Steel Model)	4	

5-3-2

**UPPER TABLE REARASS'Y
(For 1050W/1650W)**

M7-5-320010



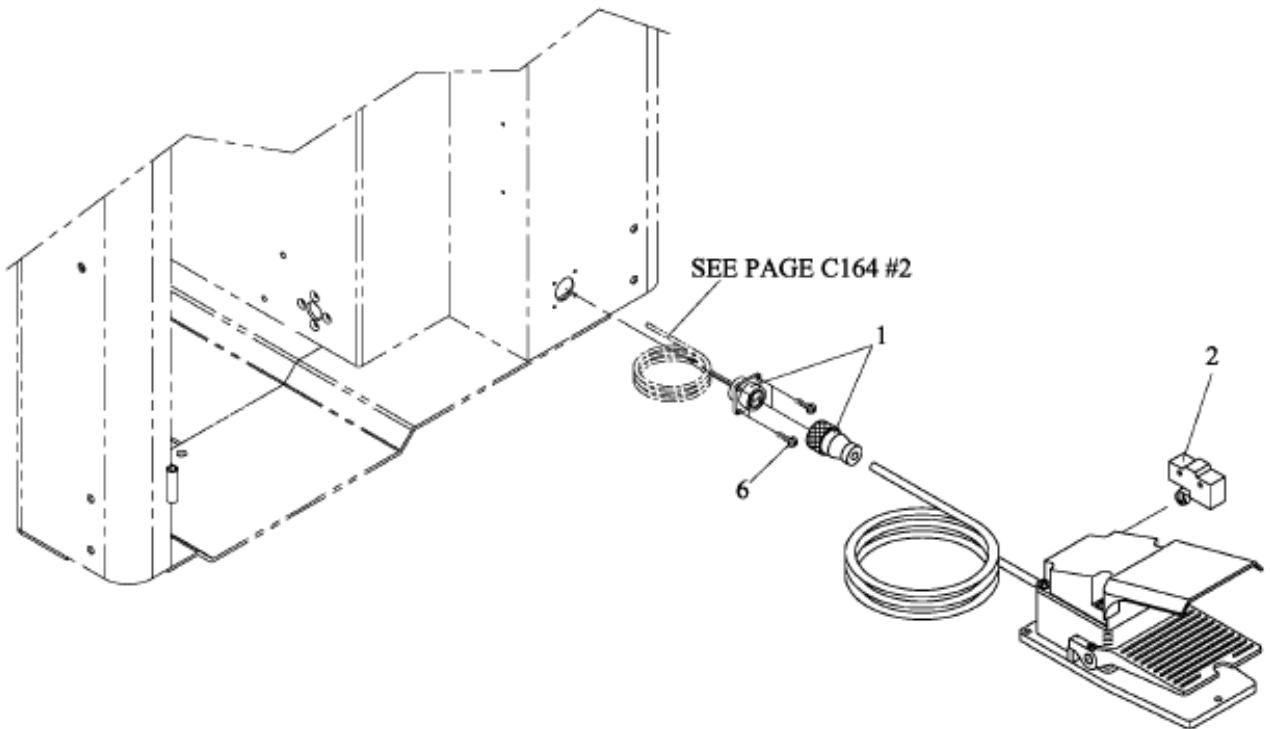
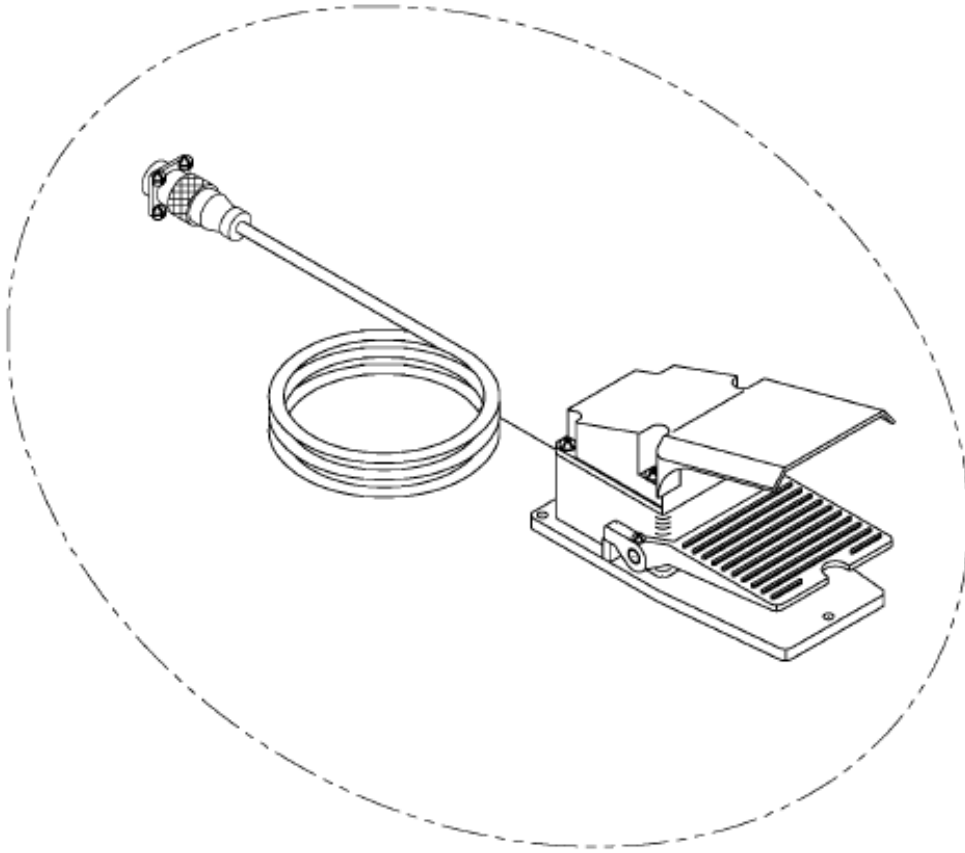
5-3-2

**UPPER TABLE REAR ASS'Y
(For 1050W/1650W)**

M7-5-320010

REF. NO.	PART NO.	DESCRIPTION	Q'TY	POLYCHEM PART #
1	M7-5-320010	Upper Table Rear Ass'y (For1050W/1650W)	1	
	M7-5-320010S	Upper Table Rear Ass'y (Stainless Steel Model)(For 1050W/1650W)	1	
	M7-5-321110	Upper Table Rear	1	
	M7-5-321110S	Upper Table Rear (Stainless Steel Model)	1	
6	T7-5-40410	Table Roller (130mm)	2	
	T7-5-40411	Table Roller (130mm)(Stainless Steel Model)	2	
7	T7-5-40420	Table Roller Shaft	2	
	T7-5-40420S	Table Roller Shaft (Stainless Steel Model)	2	
11	ER07	Snap Ring, E-7	4	
	ER07S	Snap Ring, E-7 (Stainless Steel Model)	4	

PEDAL CONTROL SET (OPTION)

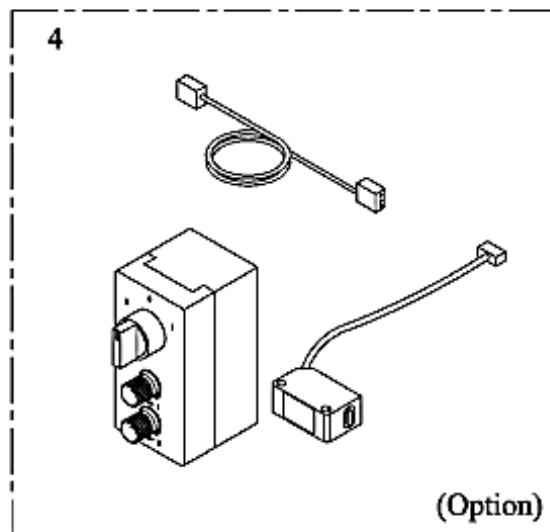
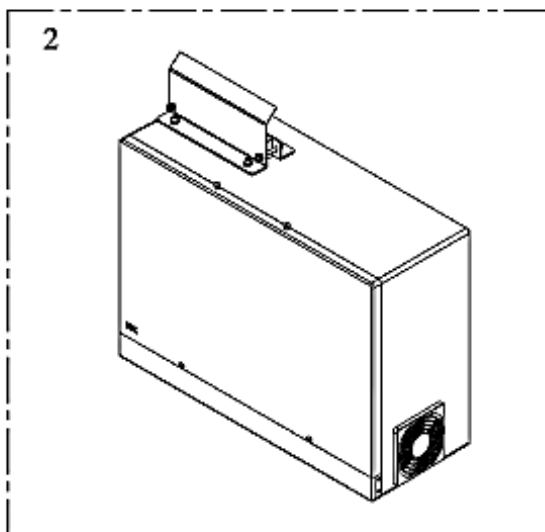
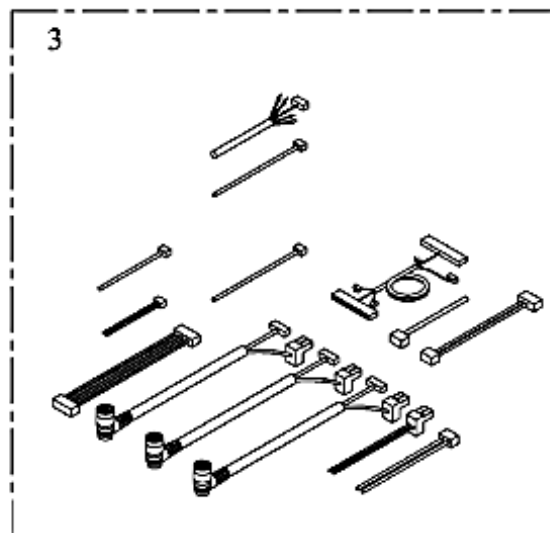
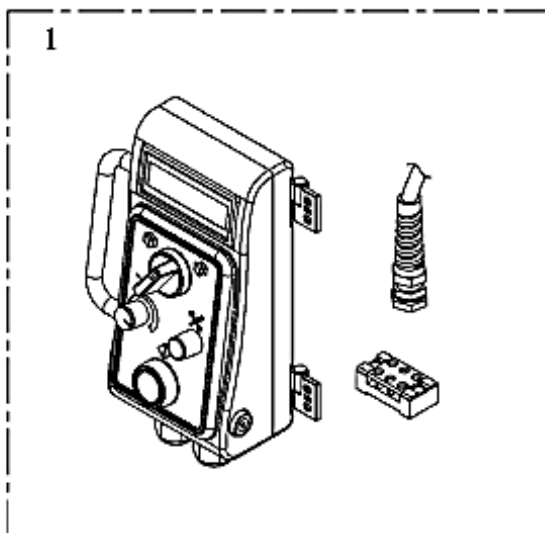
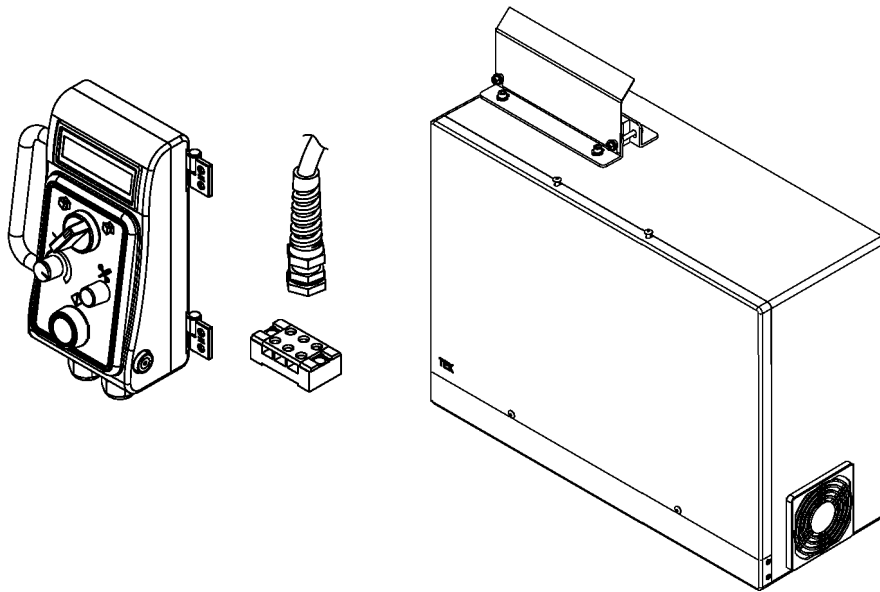


5-4

**PEDAL CONTROL SET
(OPTION)**

T7-6-40001

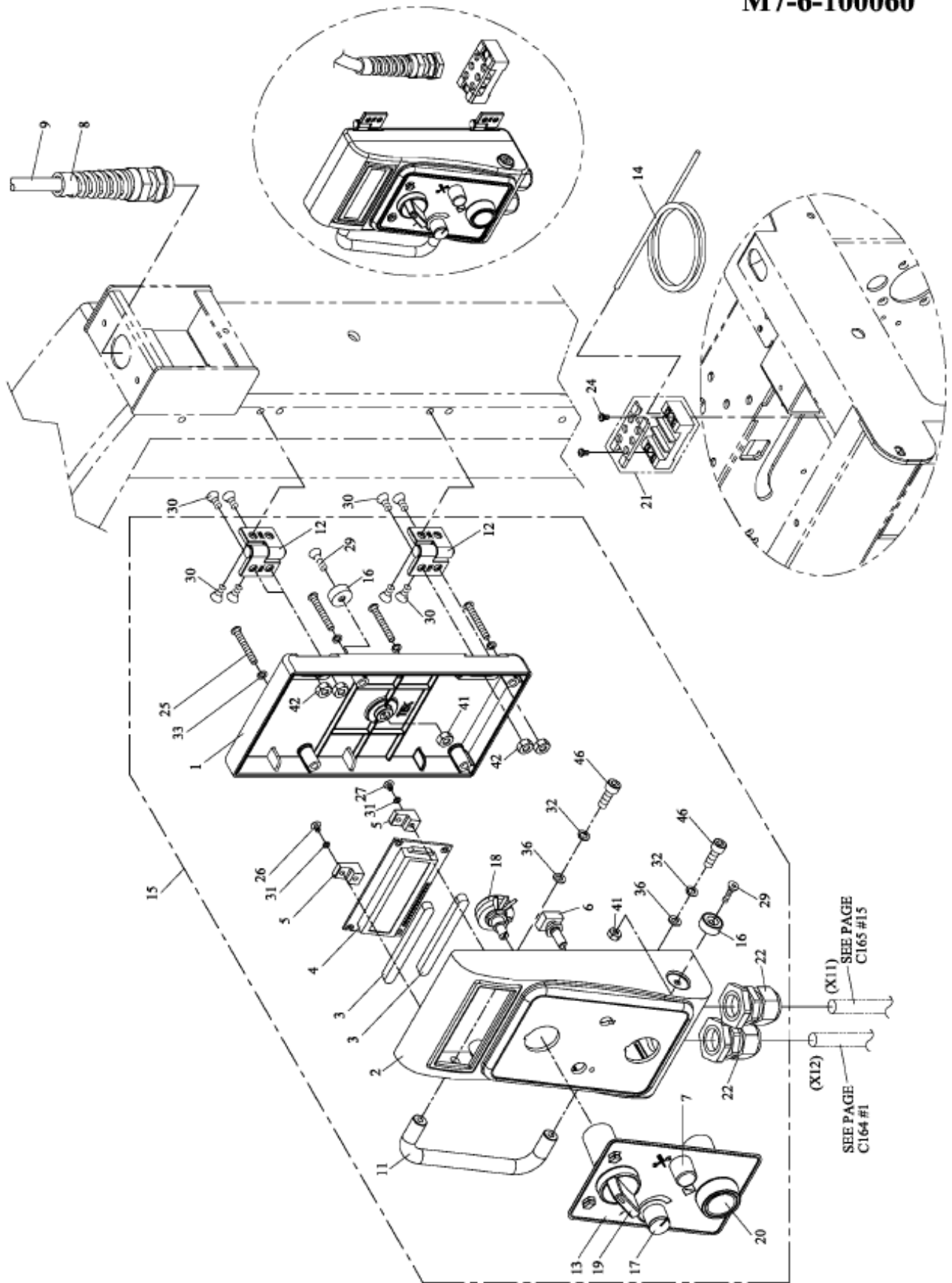
REF. NO.	PART NO.	DESCRIPTION	Q'TY	POLYCHEM PART #
1	T6-6-10350	Connector (Foot Switch)	1	19530
2	T7-5-20130	Micro Switch	1	X
6	TMS0308N	TMS, M3×8 (N)	4	191719
	TMS0308S	TMS, M3×8 (Stainless Steel Model)	4	X



REF. NO.	PART NO.	DESCRIPTION	Q'TY	POLYCHEM PART #
	M7-6-900121	Electric Control Unit (For TP-702P, 220V~240V, 650W×500H)	1	
	M7-6-900121S	Electric Control Unit (Stainless Steel Model) (For TP-702P, 220V~240V, 650W×500H)	1	
	M7-6-900131	Electric Control Unit (For TP-702P, 110V, 650W×500H)	1	
	M7-6-900131S	Electric Control Unit (Stainless Steel Model) (For TP-702P, 110V, 650W×500H)	1	
	M7-6-900141	Electric Control Unit (For TP-702P, 220V~240V, 850W×600H)	1	
	M7-6-900141S	Electric Control Unit (Stainless Steel Model) (For TP-702P, 220V~240V, 850W×600H)	1	
	M7-6-900151	Electric Control Unit (For TP-702P, 110V, 850W×600H)	1	
	M7-6-900151S	Electric Control Unit (Stainless Steel Model) (For TP-702P, 110V, 850W×600H)	1	
	M7-6-900161	Electric Control Unit (For TP-702P, 220V~240V, 1050W×800H)	1	
	M7-6-900161S	Electric Control Unit (Stainless Steel Model) (For TP-702P, 220V~240V, 1050W×800H)	1	
	M7-6-900171	Electric Control Unit (For TP-702P, 110V, 1050W×800H)	1	
	M7-6-900171S	Electric Control Unit (Stainless Steel Model) (For TP-702P, 110V, 1050W×800H)	1	
	M7-6-900181	Electric Control Unit (For TP-702P, 220V~240V, 1250W×500H)	1	
	M7-6-900181S	Electric Control Unit (Stainless Steel Model) (For TP-702P, 220V~240V, 1250W×500H)	1	
	M7-6-900191	Electric Control Unit (For TP-702P, 110V, 1250W×500H)	1	
	M7-6-900191S	Electric Control Unit (Stainless Steel Model) (For TP-702P, 110V, 1250W×500H)	1	
	M7-6-900201	Electric Control Unit (For TP-702P, 220V~240V, 1250W×800H/1650W×500H)	1	
	M7-6-900201S	Electric Control Unit (Stainless Steel Model) (For TP-702P, 220V~240V, 1250W×800H/1650W×500H)	1	
	M7-6-900211	Electric Control Unit (For TP-702P, 110V, 1250W×800H/1650W×500H)	1	
	M7-6-900211S	Electric Control Unit (Stainless Steel Model) (For TP-702P, 110V, 1250W×800H/1650W×500H)	1	

REF. NO.	PART NO.	DESCRIPTION	Q'TY	POLYCHEM PART #
1	M7-6-900004	Electric Control Unit (For TP-702RS, 220V~240V)	1	SEE PAGE C155
	M7-6-900014	Electric Control Unit (For TP-702RS, 110V)	1	
	M7-6-100040	Control Panel Group (Europe)(For TP-702P)	1	
	M7-6-100040S	Control Panel Group (Europe)(Stainless Steel Model)(For TP-702P)	1	
	M7-6-100060	Control Panel Group (America)(For TP-702P)	1	
	M7-6-100060S	Control Panel Group (America)(Stainless Steel Model)(For TP-702P)	1	
2	M7-6-100030	Control Panel Group (Europe)(For TP-702RS)	1	SEE PAGE C159
	M7-6-100050	Control Panel Group (America)(For TP-702RS)	1	
	M7-6-200021	Electric Control Group (Without Wire) (For TP-702P, 220V~240V)	1	
	M7-6-200021S	Electric Control Group (Without Wire) (Stainless Steel Model)(For TP-702P, 220V~240V)	1	
	M7-6-200031	Electric Control Group (Without Wire) (For TP-702P, 110V)	1	
	M7-6-200031S	Electric Control Group (Without Wire) (Stainless Steel Model)(For TP-702P, 110V)	1	
3	M7-6-200003	Electric Control Group (Without Wire) (For TP-702RS, 220V~240V)	1	SEE PAGE C163
	M7-6-200013	Electric Control Group (Without Wire) (For TP-702RS, 110V)	1	
	M7-6-300031	Wires Group (For TP-702P, 650W×500H)	1	
	M7-6-300041	Wires Group (For TP-702P, 850W×600H)	1	
	M7-6-300051	Wires Group (For TP-702P, 1050W×800H)	1	
	M7-6-300061	Wires Group (For TP-702P, 1250W×500H)	1	
4	M7-6-300071	Wires Group (For TP-702P, 1250W×800H/ 1650W×500H)	1	SEE PAGE C169
	M7-6-300003	Wires Group (For TP-702RS)	1	
	M7-6-400000	Photo Eye Timer Box Group (For TP-702P) (Option)	1	
	M7-6-400040	Photo Eye Timer Box Group (For TP-702RS) (Option)	1	





6-1

CONTROL PANEL GROUP

M7-6-100040

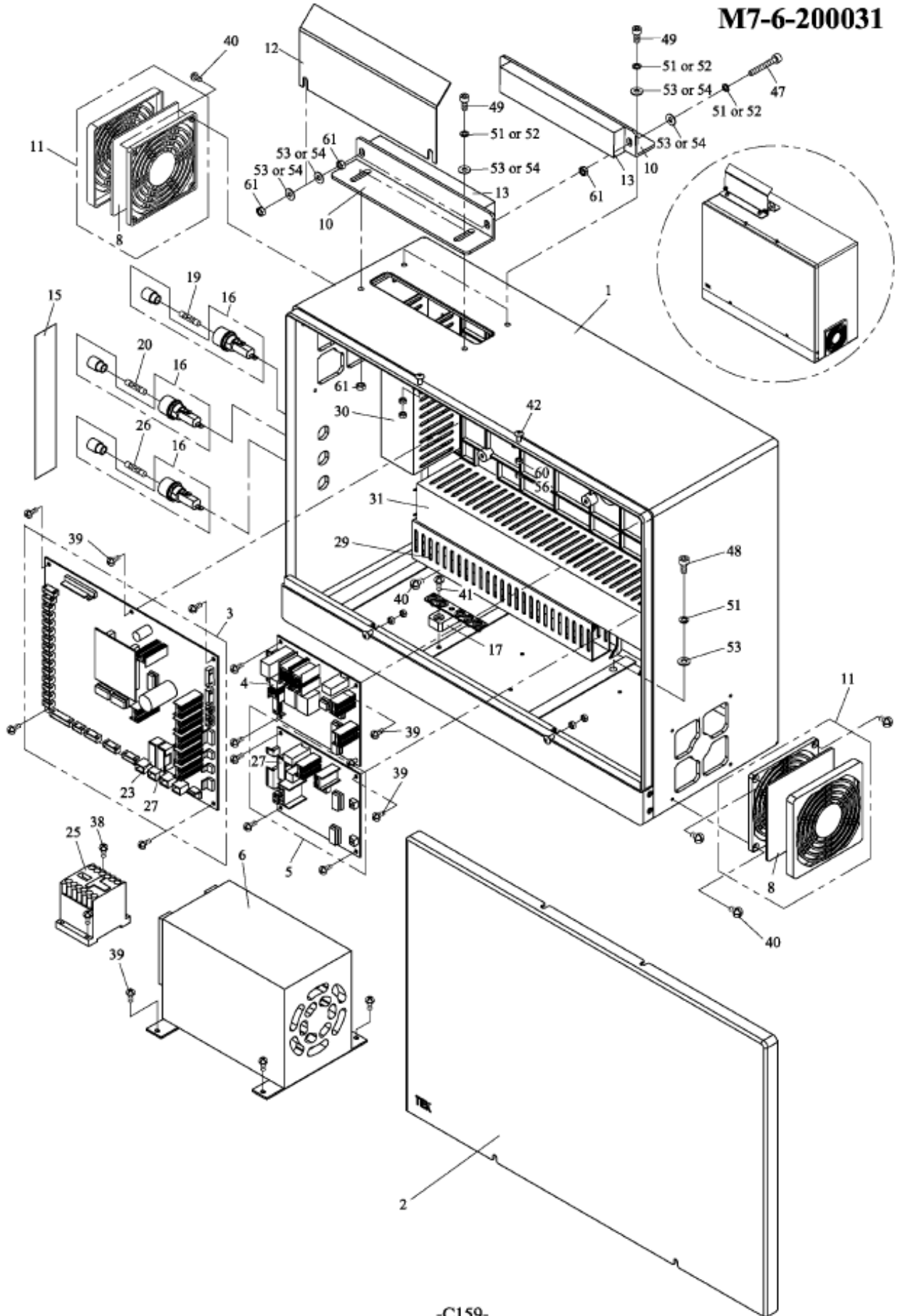
M7-6-100060

REF. NO.	PART NO.	DESCRIPTION	Q'TY	POLYCHEM PART #
	M7-6-100040	Control Panel Group (Europe)(For TP-702P)	1	
	M7-6-100040S	Control Panel Group (Europe)(Stainless Steel Model)(For TP-702P)	1	
	M7-6-100060	Control Panel Group (America)(For TP-702P)	1	
	M7-6-100060S	Control Panel Group (America)(Stainless Steel Model)(For TP-702P)	1	
	M7-6-100030	Control Panel Group (Europe)(For TP-702RS)	1	
	M7-6-100050	Control Panel Group (America)(For TP-702RS)	1	
1	M7-6-101101	Control Box	1	
2	M7-6-101201	Control Plate	1	
3	M7-6-101300	Rubber	2	
4	M7-6-101400	LCD	1	
5	M7-6-101501	Bracket	2	
6	M7-6-101601	Encoder	1	
7	M7-6-101701	Knob	1	
8	M7-6-101800	Flex-Protection Cable Gland	1	
9	TT-5-20120	Power Cord (Europe)	1	
	T5-4-10324	Power Cord (America)	1	
	T5-4-10323	Power Cord (For CSA)(Option)	1	
11	M7-6-102100	Handle	1	
	M7-6-102100S	Handle (Stainless Steel Model)	1	
12	M7-6-102200	Hinges	2	
13	LA-10191	Label	1	
14	EW720106C004	Wire Ass'y (For TP-702P)	1	
	EW720105B004	Wire Ass'y (For TP-702RS)	1	
15	M7-6-100100	Control Panel Ass'y	1	
	M7-6-100100S	Control Panel Ass'y (Stainless Steel Model)	1	
16	M7-6-102001	Magnet Catch	2	
17	T5-4-10222	Knob (Hole Ø6.0)	1	
18	T5-4-10232	Variable Resistor (5K)(Ø6.0)	1	
19	T6-6-40016	2P. Selector Switch	1	
20	T7-6-20480	Restart Switch (2NO)	1	
21	T6-6-10320	Heater Terminal	1	
22	T6-6-10980	Cable Gland (PG11)	2	
24	PMS0408	PMS, M4×8	2	
25	PMS0430	PMS, M4×30	4	
	PMS0430S	PMS, M4×30 (Stainless Steel Model)	4	
26	TMS0308N	TMS, M3×8 (N)	1	
27	TMS0312	TMS, M3×12	1	
29	FHS0416S	FHS, M4×16 (SUS)	2	
30	FMS0508N	FMS, M5×8 (N)	8	
	FMS0508S	FMS, M5×8 (Stainless Steel Model)	8	

6-1**CONTROL PANEL GROUP****M7-6-100040****M7-6-100060**

REF. NO.	PART NO.	DESCRIPTION	Q'TY	POLYCHEM PART #
31	SW03	SW, M3	2	
32	SW05	SW, M5	2	
33	SW04	SW, M4	4	
	SW04S	SW, M4 (Stainless Steel Model)	4	
36	PW05	PW, M5	2	
41	NTE04	NTE, M4	2	
42	HN05	HN, M5	4	
46	HBS0512N	HBS, M5×12 (N)	2	



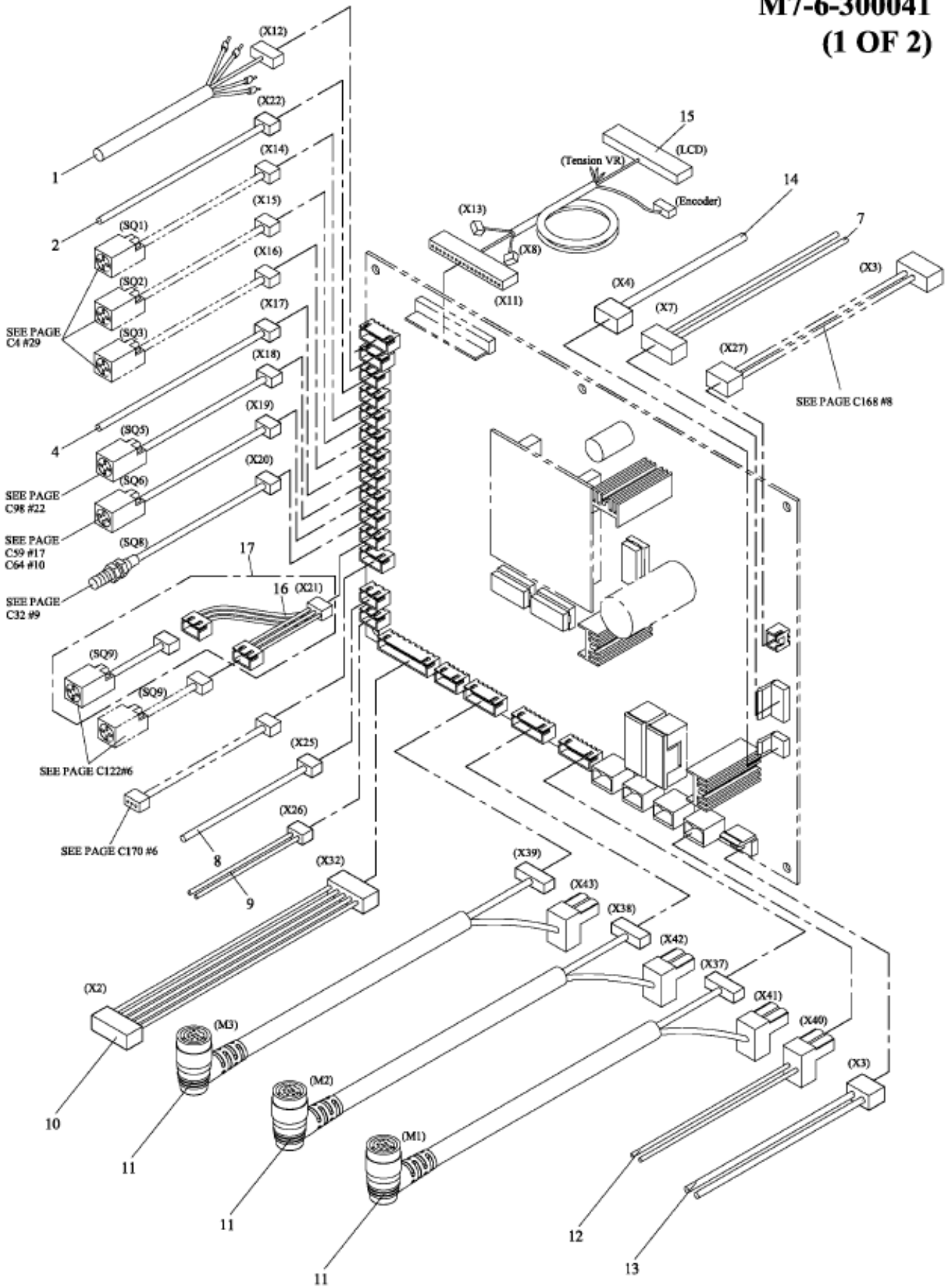


2

REF. NO.	PART NO.	DESCRIPTION	Q'TY	POLYCHEM PART #
	M7-6-200021	Electric Control Group (Without Wire) (For TP-702P, 220V~240V)	1	
	M7-6-200021S	Electric Control Group (Without Wire) (Stainless Steel Model)(For TP-702P, 220V~240V)	1	
	M7-6-200031	Electric Control Group (Without Wire) (For TP-702P, 110V)	1	
	M7-6-200031S	Electric Control Group (Without Wire) (Stainless Steel Model)(For TP-702P, 110V)	1	
	M7-6-200003	Electric Control Group (Without Wire) (For TP-702RS, 220V~240V)	1	
	M7-6-200013	Electric Control Group (Without Wire) (For TP-702RS, 110V)	1	
1	M7-6-201103	Electric Box	1	
2	M7-6-201201	Cover	1	
3	M7-6-201310	Main P.C.B (AP1)(For TP-702P)	1	
	M7-6-201301	Main P.C.B (AP1)(For TP-702RS)	1	
4	M7-6-201400	M4/M5 P.C.B (AP3)	1	
5	M7-6-201500	Heater P.C.B (AP2)	1	
6	M7-6-201600	Power Supply	1	
8	M7-6-201800	Filter	2	
10	M7-6-202100	Clamp	1	
	M7-6-202100S	Clamp (Stainless Steel Model)	1	
11	M7-6-200100	Filter Set	2	
12	M7-6-202201	Cover	1	
	M7-6-202201S	Cover (Stainless Steel Model)	1	
13	M7-6-202300	Foam Rubber	2	
15	LA-20160	Label	1	
16	T5-4-10160	Fuse Holder	3	
17	T5-4-10310	Earth Plate (5P)	1	
19	T6-6-30032	Fuse (3A, 30mm)(For 220V~240V)	1	
	T6-6-30033	Fuse (5A, 30mm)(For 110V)	1	
20	T6-6-30133	Fuse (10A, 30mm)	1	
23	TT-5-10150	Fuse (1A, 20mm)	1	
25	T7-6-10690	Magnetic Switch	1	
26	FU30040	Fuse (4A, 30mm)	1	
27	FU20040	Fuse (4A, 20mm)	2	
29	WD25450250	Wire Duct 25×45×250	1	

REF. NO.	PART NO.	DESCRIPTION	Q'TY	POLYCHEM PART #
30	WD45650170	Wire Duct 45×65×170	1	
31	WD45650425	Wire Duct 45×65×425	1	
38	TMS0312	TMS, M3×12	2	
39	TMS0308N	TMS, M3×8 (N)	17	
40	TTP0412BN	TTP, M4×12 (B)(N)	15	
41	TMS0412N	TMS, M4×12 (N)	1	
42	TMS0420N	TMS, M4×20 (N)	4	
	TMS0420S	TMS, M4×20 (Stainless Steel Model)	4	
47	HBS0540N	HBS, M5×40 (N)	2	
	HBS0540S	HBS, M5×40 (Stainless Steel Model)	2	
48	HBS0510N	HBS, M5×10 (N)	4	
49	HBS0516N	HBS, M5×16 (N)	4	
	HBS0516S	HBS, M5×16 (Stainless Steel Model)	4	
50	SW04	SW, M4	1	
51	SW05	SW, M5	12	
52	SW05S	SW, M5 (Stainless Steel Model)	8	
53	PW05	PW, M5	14	
54	PW05S	PW, M5 (Stainless Steel Model)	10	
56	NTE04	NTE, M4	4	
60	HN04	HN, M4	4	
61	HN05	HN, M5	10	
	HN05S	HN, M5 (Stainless Steel Model)	10	

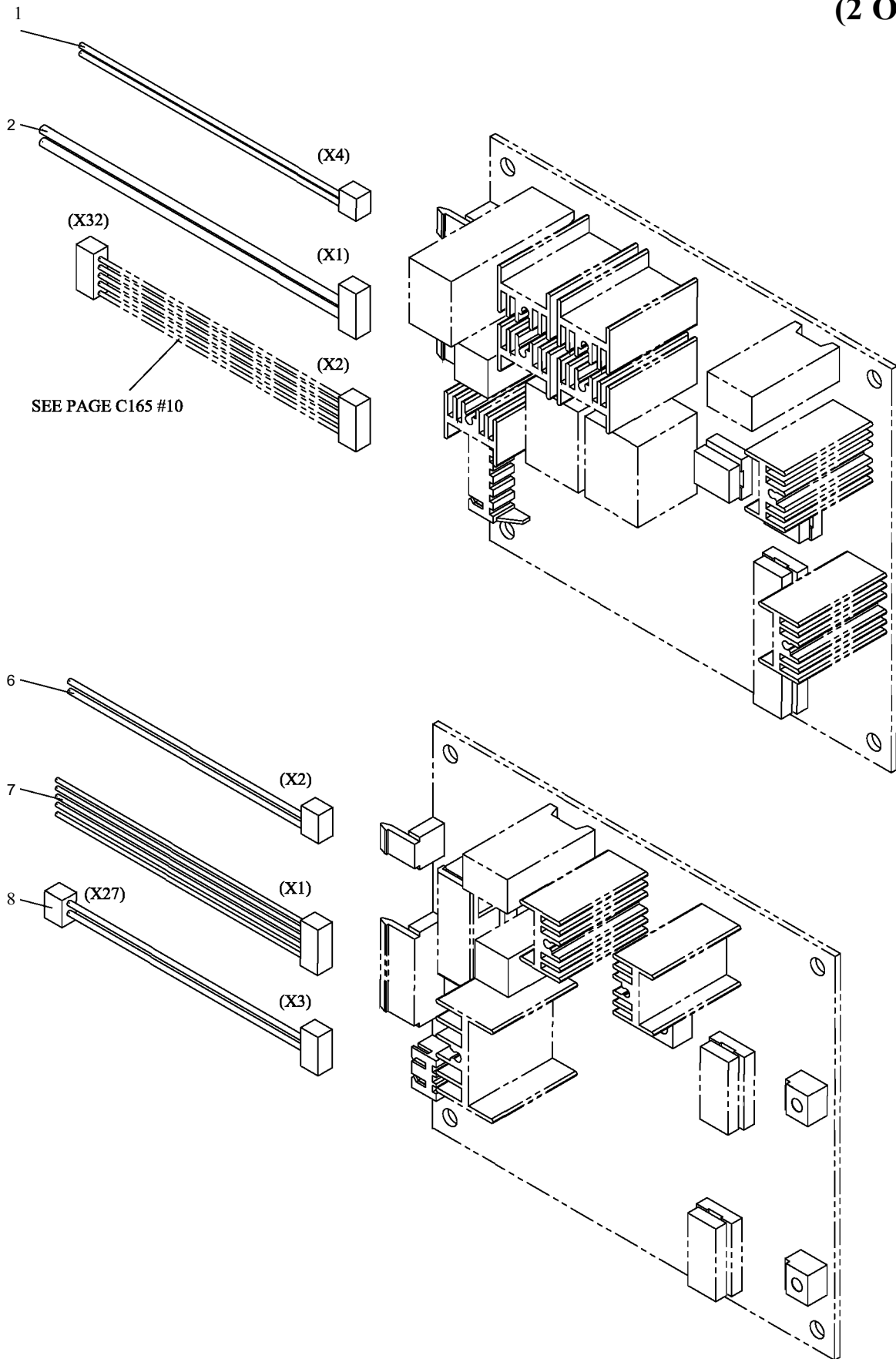




REF. NO.	PART NO.	DESCRIPTION	Q'TY	POLYCHEM PART #
	M7-6-300031	Wires Group (For TP-702P, 650W×500H)	1	
	M7-6-300041	Wires Group (For TP-702P, 850W×600H)	1	
	M7-6-300051	Wires Group (For TP-702P, 1050W×800H)	1	
	M7-6-300061	Wires Group (For TP-702P, 1250W×500H)	1	
	M7-6-300071	Wires Group (For TP-702P, 1250W×800H/ 1650W×500H)	1	
	M7-6-300003	Wires Group (For TP-702RS)	1	
1	EW720106CX12	Wire Ass'y X12 (Control Panel) (For TP-702P, 650W~1050W)	1	
	EW720112FX12	Wire Ass'y X12 (Control Panel) (For TP-702P, 1250W/1650W)	1	
	EW720105BX12	Wire Ass'y X12 (Control Panel) (For TP-702RS)	1	
2	EW720006CX22	Wire Ass'y X22 (Foot Switch) (For TP-702P, 650W~1050W)(Option)	1	
	EW720012FX22	Wire Ass'y X22 (Foot Switch) (For TP-702P, 1250W/1650W)(Option)	1	
	EW720005BX22	Wire Ass'y X22 (Foot Switch)(For TP-702RS) (Option)	1	
4	EW720006CX17	Wire Ass'y X17 (SQ4)(For TP-702P, 650W~1050W)	1	
	EW720012FX17	Wire Ass'y X17 (SQ4)(For TP-702P, 1250W/1650W)	1	
	EW720005BX17	Wire Ass'y X17 (SQ4)(For TP-702RS)	1	
7	EW72P006CX07	Wire Ass'y X7 (Press Bar) (For TP-702P, 650W×500H)	1	
	EW72P008DX07	Wire Ass'y X7 (Press Bar) (For TP-702P, 850W×600H)	1	
	EW72P010EX07	Wire Ass'y X7 (Press Bar) (For TP-702P, 1050W×800H)	1	
	EW72P012EX07	Wire Ass'y X7 (Press Bar) (For TP-702P, 1250W×500H)	1	
	EW72P016CX07	Wire Ass'y X7 (Press Bar)(For TP-702P, 1250W×800H/1650W×500H)	1	
8	EW720010EX25	Wire Ass'y X25 (Reel Release Switch) (For TP-702P, 650W~1050W)	1	
	EW720012FX25	Wire Ass'y X25 (Reel Release Switch) (For TP-702P, 1250W/1650W)	1	
	EW720005BX25	Wire Ass'y X25 (Reel Release Switch) (For TP-702RS)	1	

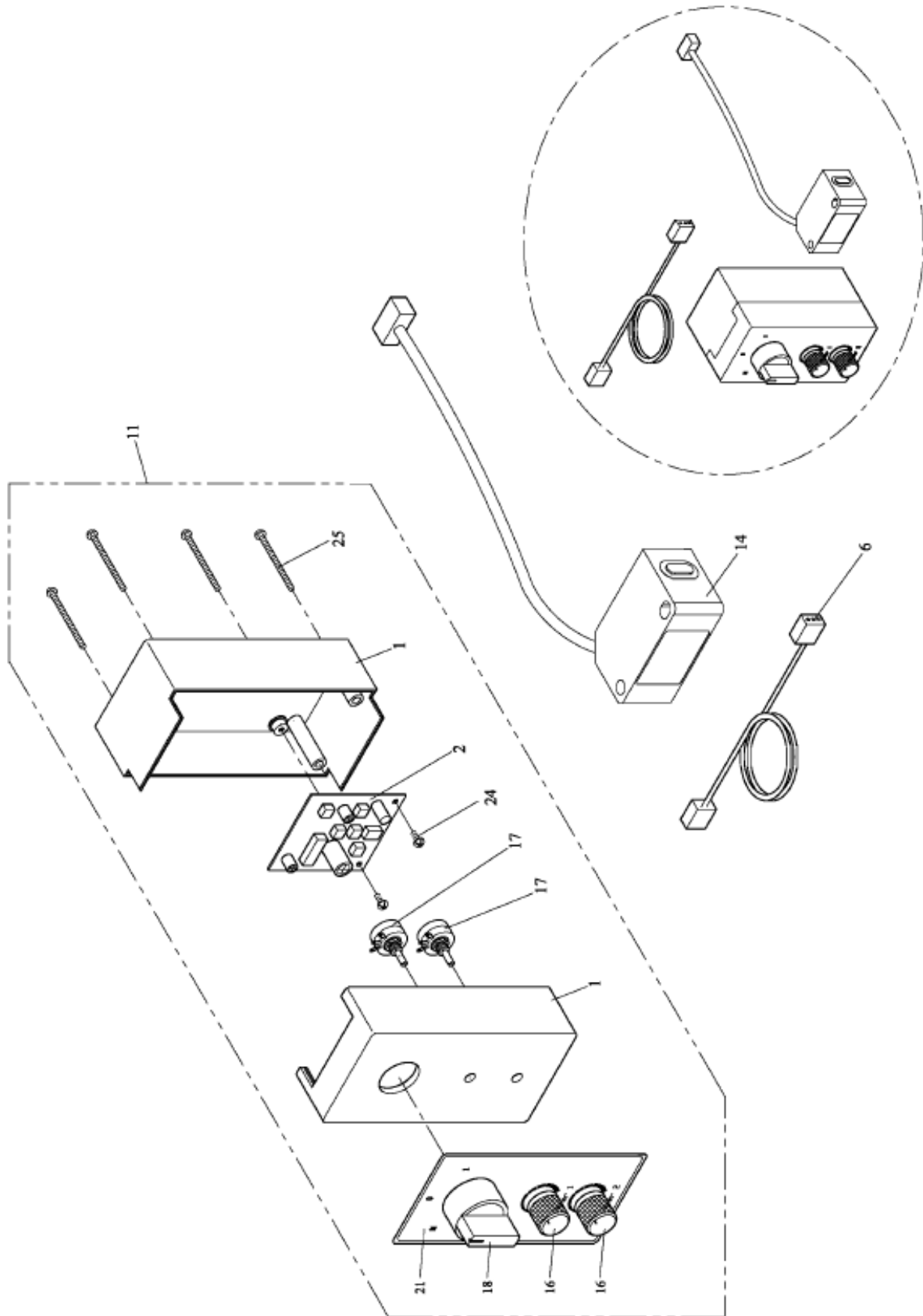
REF. NO.	PART NO.	DESCRIPTION	Q'TY	POLYCHEM PART #
9	EW720005BX26	Wire Ass'y X26 (Machine Ready)	1	
10	EW720005BX32	Wire Ass'y X32 (Control Wire for M4/M5)	1	
11	M7-6-300100	Motor Cable (X37/X41, X38/X42, X39/X43) (M1, M2, M3)	3	
12	EW720005BX40	Wire Ass'y X40 (Power I for Main PCB)	1	
13	EW720005BX03	Wire Ass'y X3 (Power II for Main PCB)	1	
14	EW720010EX04	Wire Ass'y X4 (Reel)(For TP-702P, 650W~1050W)	1	
	EW720012FX04	Wire Ass'y X4 (Reel)(For TP-702P, 1250W/1650W)	1	
	EW720005BX04	Wire Ass'y X4 (Reel)(For TP-702RS)	1	
15	EW720106CX11	Wire Ass'y X11/X13/X8 (Control Panel) (For TP-702P, 650W~1050W)	1	
	EW720112FX11	Wire Ass'y X11/X13/X8 (Control Panel) (For TP-702P, 1250W/1650W)	1	
	EW720105BX11	Wire Ass'y X11/X13/X8 (Control Panel) (For TP-702RS)	1	
16	EW720005B005	Wire Ass'y (Foot Bar (Rear))(Option)	1	
17	M7-6-300200	Proximity Sensor Set (Foot Bar (Rear))(Option)	1	SEE PAGE C121





REF. NO.	PART NO.	DESCRIPTION	Q'TY	POLYCHEM PART #
1	EW720005BM04	Wire Ass'y X4 (Power for M4/M5 PCB)	1	
2	EW720006CM01	Wire Ass'y X1 (Power for M4/M5) (For TP-702P, 650W~1050W)	1	
	EW720012FM01	Wire Ass'y X1 (Power for M4/M5) (For TP-702P, 1250W/1650W)	1	
	EW720005BM01	Wire Ass'y X1 (Power for M4/M5) (For TP-702RS)	1	
6	EW720005BH02	Wire Ass'y X2 (Power for H.T PCB)	1	
7	EW720005BH01	Wire Ass'y X1 (H.T/Sensor/Fan) (For TP-702P, 650W~1050W/TP-702RS)	1	
	EW720012FH01	Wire Ass'y X1 (H.T/Sensor/Fan) (For TP-702P, 1250W/1650W)	1	
8	EW720005BH03	Wire Ass'y X3 (Heater Ready)	1	

**PHOTO EYE TIMER BOX GROUP
(OPTION)**

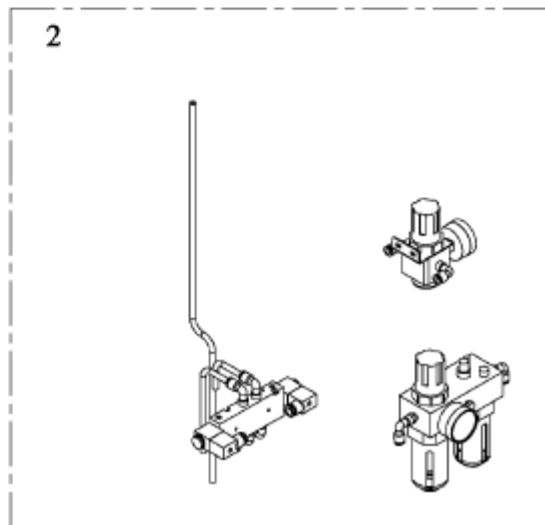
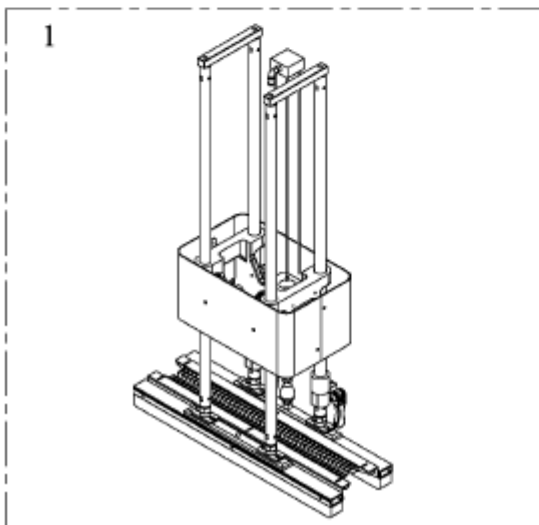
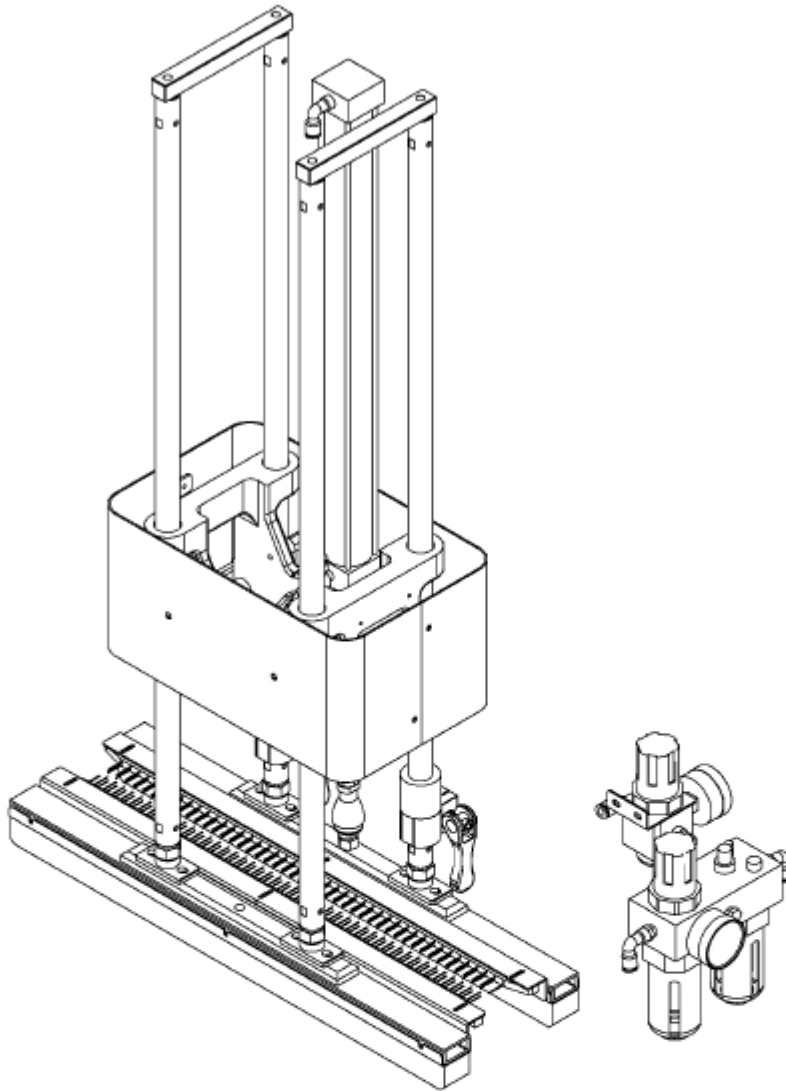


6-4**PHOTO EYE TIMER BOX GROUP
(OPTION)****M7-6-400000****M7-6-400040**

REF. NO.	PART NO.	DESCRIPTION	Q'TY	POLYCHEM PART #
	M7-6-400000	Photo Eye Timer Box Group (For TP-702P) (Option)	1	
	M7-6-400040	Photo Eye Timer Box Group (For TP-702RS) (Option)	1	
1	M7-6-401100	Box	1	
2	M7-6-401200	P.C. Board	1	
6	EW720005B006	Wire Ass'y	1	
11	M7-6-400100	Photo Eye Timer Box Ass'y	1	
14	M7-6-301200	Photo Eye (PH1)(For TP-702P)	1	SEE PAGE C3
	M7-6-301210	Photo Eye (PH1)(For TP-702RS)	1	SEE PAGE C63
16	T5-4-10222	Knob (Hole Ø6.0)	2	
17	T5-4-10232	Variable Resistor (5K)(Ø6.0)	2	
18	T6-6-10570	3P. Selector Switch	1	
21	LA-20050	Label	1	
24	PMS0305	PMS, M3×5	2	
25	PMS0345	PMS, M3×45	4	

**PNEUMATIC UNIT
(For TP-702P)**

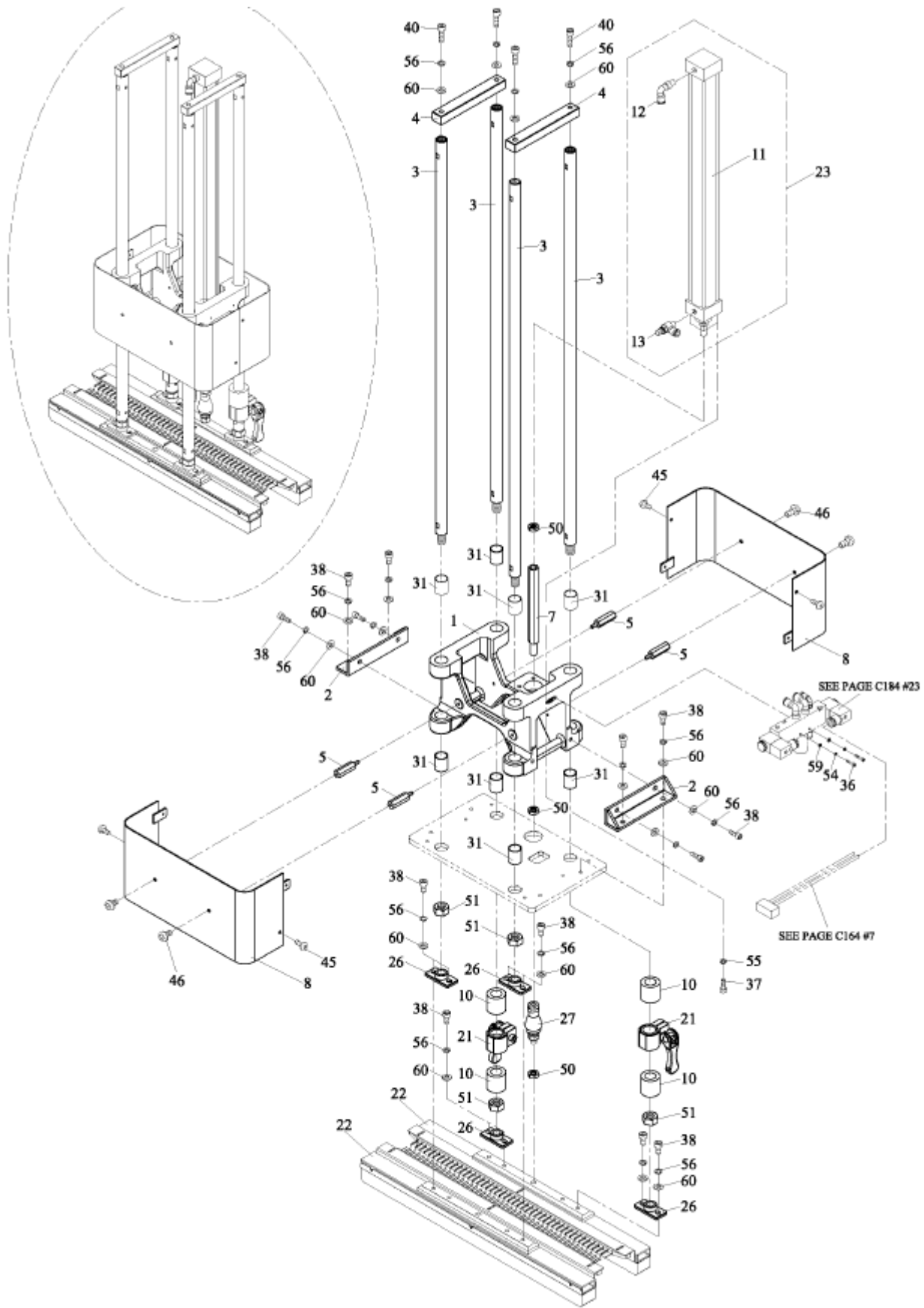
**M7-8-900001
M7-8-900011**



**PNEUMATIC UNIT
(For TP-702P)**

**M7-8-900001
M7-8-900011**

REF. NO.	PART NO.	DESCRIPTION	Q'TY	POLYCHEM PART #
	M7-8-900001	Pneumatic Unit (For TP-702P, 650W×500H)	1	
	M7-8-900001S	Pneumatic Unit (Stainless Steel Model) (For TP-702P, 650W×500H)	1	
	M7-8-900011	Pneumatic Unit (For TP-702P, 850W×600H)	1	
	M7-8-900011S	Pneumatic Unit (Stainless Steel Model) (For TP-702P, 850W×600H)	1	
	M7-8-900021	Pneumatic Unit (For TP-702P, 1050W×800H)	1	
	M7-8-900021S	Pneumatic Unit (Stainless Steel Model) (For TP-702P, 1050W×800H)	1	
	M7-8-900030	Pneumatic Unit (For TP-702P, 1250W×500H)	1	
	M7-8-900030S	Pneumatic Unit (Stainless Steel Model) (For TP-702P, 1250W×500H)	1	
	M7-8-900040	Pneumatic Unit (For TP-702P, 1250W×800H)	1	
	M7-8-900040S	Pneumatic Unit (Stainless Steel Model) (For TP-702P, 1250W×800H)	1	
	M7-8-900050	Pneumatic Unit (For TP-702P, 1650W×500H)	1	
	M7-8-900050S	Pneumatic Unit (Stainless Steel Model) (For TP-702P, 1650W×500H)	1	
1	M7-8-100001	Press Bar Group (For 650W×500H)	1	SEE PAGE C173
	M7-8-100001S	Press Bar Group (Stainless Steel Model) (For 650W×500H)	1	
	M7-8-100011	Press Bar Group (For 850W×600H)	1	
	M7-8-100011S	Press Bar Group (Stainless Steel Model) (For 850W×600H)	1	
	M7-8-100021	Press Bar Group (For 1050W×800H)	1	
	M7-8-100021S	Press Bar Group (Stainless Steel Model) (For 1050W×800H)	1	
	M7-8-100030	Press Bar Group (For 1250W×500H)	1	
	M7-8-100030S	Press Bar Group (Stainless Steel Model) (For 1250W×500H)	1	
	M7-8-100040	Press Bar Group (For 1250W×800H)	1	
	M7-8-100040S	Press Bar Group (Stainless Steel Model) (For 1250W×800H)	1	
	M7-8-100050	Press Bar Group (For 1650W×500H)	1	
	M7-8-100050S	Press Bar Group (Stainless Steel Model) (For 1650W×500H)	1	
2	M7-8-200000	Pneumatic Parts Group (For 650W×500H)	1	SEE PAGE C183
	M7-8-200010	Pneumatic Parts Group (For 850W×600H)	1	
	M7-8-200020	Pneumatic Parts Group (For 1050W×800H)	1	
	M7-8-200030	Pneumatic Parts Group (For 1250W×500H)	1	
	M7-8-200040	Pneumatic Parts Group (For 1250W×800H)	1	
	M7-8-200050	Pneumatic Parts Group (For 1650W×500H)	1	



REF. NO.	PART NO.	DESCRIPTION	Q'TY	POLYCHEM PART #
	M7-8-100001	Press Bar Group (For 650W×500H)	1	
	M7-8-100001S	Press Bar Group (Stainless Steel Model) (For 650W×500H)	1	
	M7-8-100011	Press Bar Group (For 850W×600H)	1	
	M7-8-100011S	Press Bar Group (Stainless Steel Model) (For 850W×600H)	1	
	M7-8-100021	Press Bar Group (For 1050W×800H)	1	
	M7-8-100021S	Press Bar Group (Stainless Steel Model) (For 1050W×800H)	1	
	M7-8-100030	Press Bar Group (For 1250W×500H)	1	
	M7-8-100030S	Press Bar Group (Stainless Steel Model) (For 1250W×500H)	1	
	M7-8-100040	Press Bar Group (For 1250W×800H)	1	
	M7-8-100040S	Press Bar Group (Stainless Steel Model) (For 1250W×800H)	1	
	M7-8-100050	Press Bar Group (For 1650W×500H)	1	
	M7-8-100050S	Press Bar Group (Stainless Steel Model) (For 1650W×500H)	1	
1	M7-8-101100	Cylinder Base	1	
2	M7-8-101200	Bracket	2	
3	M7-8-101300	Shaft (For 500H)	4	
	M7-8-101310	Shaft (For 600H)	4	
	M7-8-101320	Shaft (For 800H)	4	
4	M7-8-101400	Connecting Plate	2	
5	M7-8-101500	Pillar	4	
7	M7-8-101700	Extension Bar	1	
8	M7-8-101800	Cover	2	
	M7-8-101800S	Cover (Stainless Steel Model)	2	
10	M7-8-102000	Absorber	4	
11	M7-8-201100	Cylinder (For 500H)	1	
	M7-8-201110	Cylinder (For 600H)	1	
	M7-8-201120	Cylinder (For 800H)	1	
12	T7-8-30190	Tube Fitting-Elbow, Ø8-1/4"	1	
13	M7-8-201200	Flow Control (L Type), Ø8-1/4"	1	
21	M7-8-110000	Position Ass'y	2	SEE PAGE C177
22	M7-8-120001	Press Bar Absorber Ass'y (For 650W)	2	SEE PAGE C179
	M7-8-120001S	Press Bar Absorber Ass'y (Stainless Steel Model)(For 650W)	2	

8-1

PRESS BAR GROUP

M7-8-10001

M7-8-10011

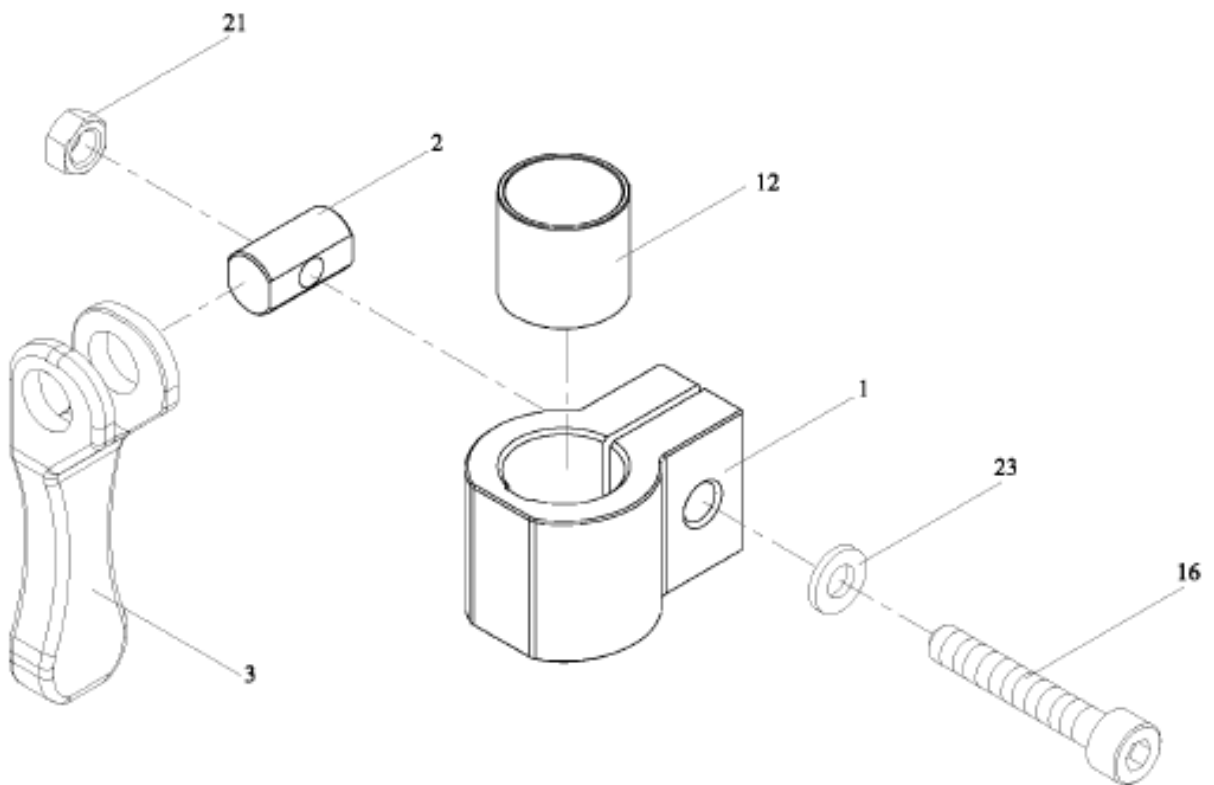
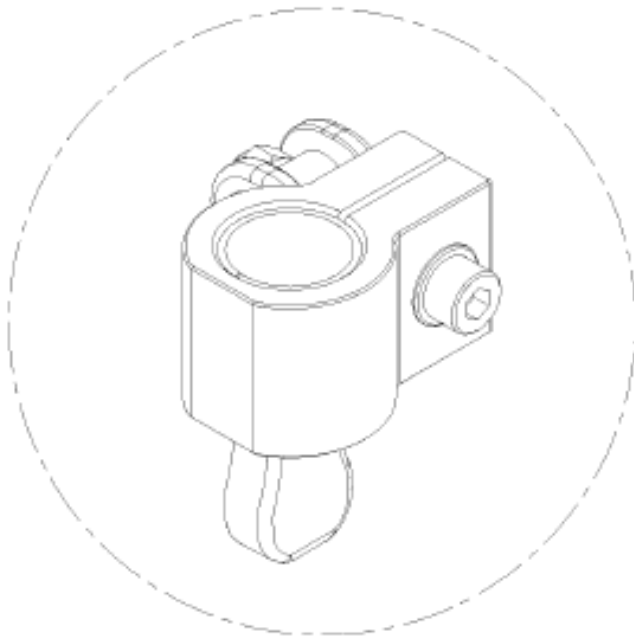
REF. NO.	PART NO.	DESCRIPTION	Q'TY	POLYCHEM PART #
	M7-8-120011	Press Bar Absorber Ass'y (For 850W)	2	
	M7-8-120011S	Press Bar Absorber Ass'y (Stainless Steel Model)(For 850W)	2	
	M7-8-120021	Press Bar Absorber Ass'y (For 1050W)	2	
	M7-8-120021S	Press Bar Absorber Ass'y (Stainless Steel Model)(For 1050W)	2	
	M7-8-120030	Press Bar Absorber Ass'y (For 1250W)	2	
	M7-8-120030S	Press Bar Absorber Ass'y (Stainless Steel Model)(For 1250W)	2	
	M7-8-120040	Press Bar Absorber Ass'y (For 1650W)	2	
	M7-8-120040S	Press Bar Absorber Ass'y (Stainless Steel Model)(For 1650W)	2	
23	M7-8-200100	Cylinder Ass'y (For 500H)	1	
	M7-8-200110	Cylinder Ass'y (For 600H)	1	
	M7-8-200120	Cylinder Ass'y (For 800H)	1	
26	T6-9-50030	Bracket	4	
	T6-9-50030S	Bracket (Stainless Steel Model)	4	
27	T6-9-50140	Swivel Joint	1	
31	PBW2430	Plastic Bushing, 2430	8	
36	HBS0435HN	HBS, M4×35 (H)(N)	2	
37	HBS0625N	HBS, M6×25 (N)	4	
38	HBS0820N	HBS, M8×20 (N)	16	
40	HBS0840N	HBS, M8×40 (N)	4	
45	THS0508N	THS, M5×8 (N)	4	
	THS0508S	THS, M5×8 (Stainless Steel Model)	4	
46	THS0612N	THS, M6×12 (N)	4	
	THS0612S	THS, M6×12 (Stainless Steel Model)	4	
50	HN12P1.25	HN, M12×P1.25	3	
51	HN16	HN, M16	4	
54	SW04	SW, M4	2	
56	SW08	SW, M8	20	
59	PW04	PW, M4	2	
60	PW08A	PW, M8 (A)	20	



8-1-1

POSITION ASS'Y

M7-8-110000



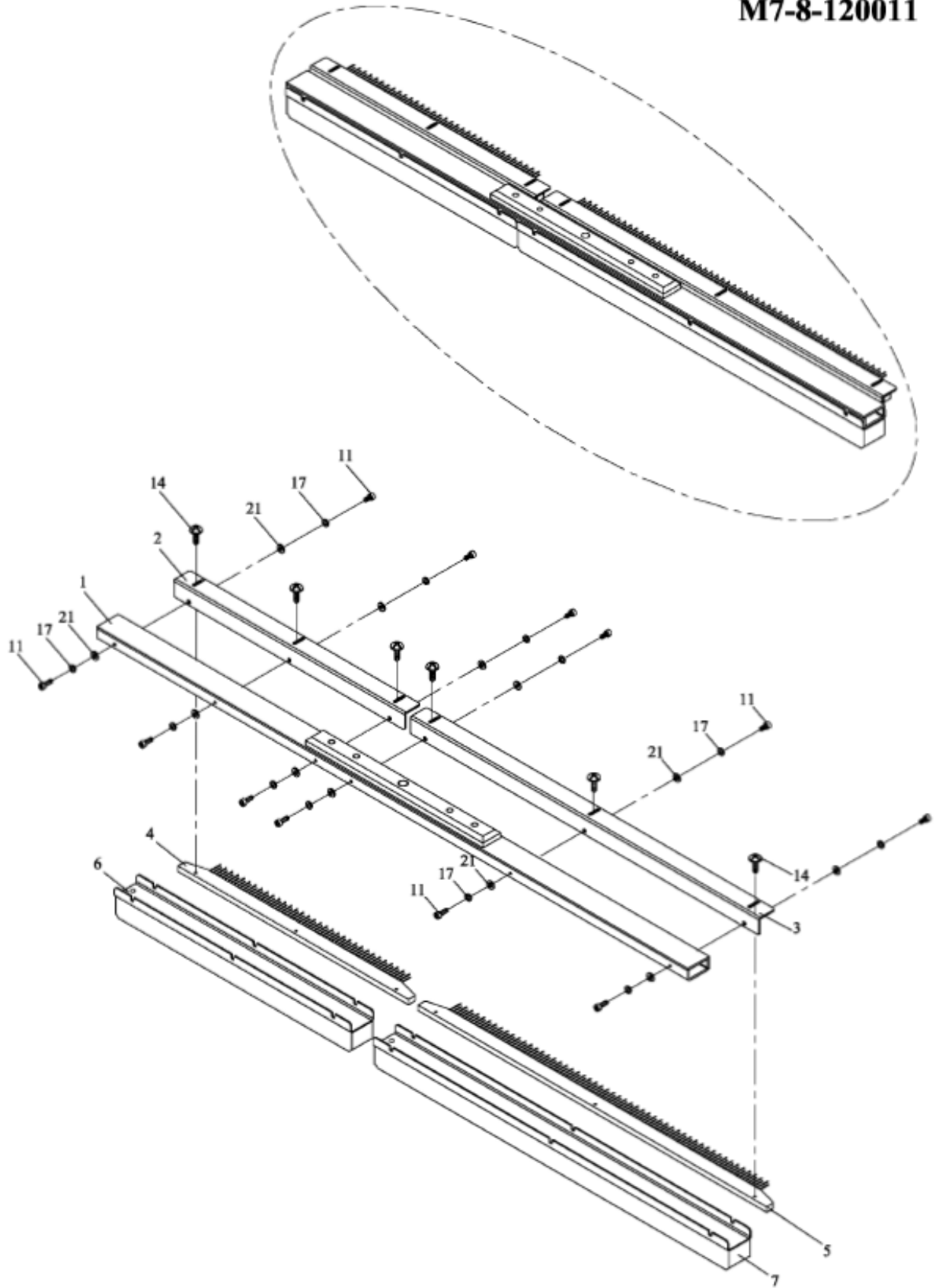
8-1-1**POSITION ASS'Y****M7-8-11000**

REF. NO.	PART NO.	DESCRIPTION	Q'TY	POLYCHEM PART #
1	M7-8-111100	Position Block	1	
2	M7-8-111200	Adjust Nut	1	
3	M7-8-111300	Handle	1	
12	PB2430	Plastic Bushing, 2430	1	
16	HBS0860N	HBS, M8×60 (N)	1	
21	NTE08	NTE, M8	1	
23	PW08A	PW, M8 (A)	1	

8-1-2

PRAESS BAR ABSORBER ASS'Y M7-8-120001

M7-8-120011



8-1-2**PRESS BAR ABSORBER ASS'Y****M7-8-120001****M7-8-120011**

REF. NO.	PART NO.	DESCRIPTION	Q'TY	POLYCHEM PART #
	M7-8-120001	Press Bar Absorber Ass'y (For 650W)	1	
	M7-8-120001S	Press Bar Absorber Ass'y (Stainless Steel Model)(For 650W)	1	
	M7-8-120011	Press Bar Absorber Ass'y (For 850W)	1	
	M7-8-120011S	Press Bar Absorber Ass'y (Stainless Steel Model)(For 850W)	1	
	M7-8-120021	Press Bar Absorber Ass'y (For 1050W)	1	
	M7-8-120021S	Press Bar Absorber Ass'y (Stainless Steel Model)(For 1050W)	1	
	M7-8-120030	Press Bar Absorber Ass'y (For 1250W)	1	
	M7-8-120030S	Press Bar Absorber Ass'y (Stainless Steel Model)(For 1250W)	1	
	M7-8-120040	Press Bar Absorber Ass'y (For 1650W)	1	
	M7-8-120040S	Press Bar Absorber Ass'y (Stainless Steel Model)(For 1650W)	1	
1	M7-8-121101	Press Bar (For 650W)	1	
	M7-8-121101S	Press Bar (Stainless Steel Model)(For 650W)	1	
	M7-8-121111	Press Bar (For 850W)	1	
	M7-8-121111S	Press Bar (Stainless Steel Model)(For 850W)	1	
	M7-8-121121	Press Bar (For 1050W)	1	
	M7-8-121121S	Press Bar (Stainless Steel Model)(For 1050W)	1	
	M7-8-121130	Press Bar (For 1250W)	1	
	M7-8-121130S	Press Bar (Stainless Steel Model)(For 1250W)	1	
	M7-8-121140	Press Bar (For 1650W)	1	
	M7-8-121140S	Press Bar (Stainless Steel Model)(For 1650W)	1	
2	M7-8-121201	Brush Adjust Plate (For 850W)	2	
		Brush Adjust Plate (For 1050W)	1	
		Brush Adjust Plate (For 1650W)	1	
3	M7-8-121211	Brush Adjust Plate (For 650W)	1	
		Brush Adjust Plate (For 1050W)	1	
		Brush Adjust Plate (For 1250W)	2	
		Brush Adjust Plate (For 1650W)	2	
4	M7-8-121301	Brush (For 850W)	2	
		Brush (For 1050W)	1	
		Brush (For 1650W)	1	
5	M7-8-121311	Brush (For 650W)	1	
		Brush (For 1050W)	1	
		Brush (For 1250W)	2	
		Brush (For 1650W)	2	

8-1-2

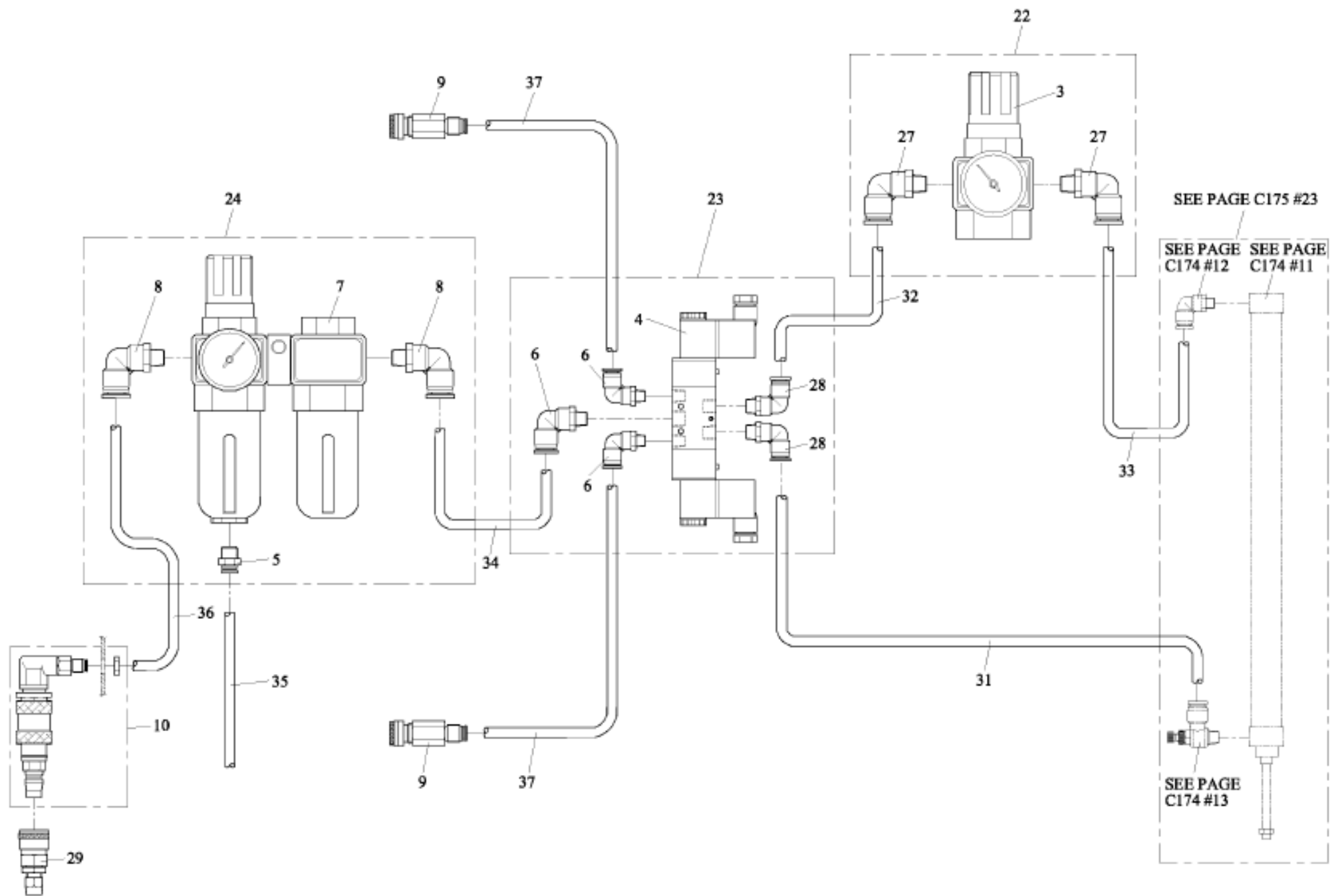
PRESS BAR ABSORBER ASS'Y

M7-8-120001

M7-8-120011

REF. NO.	PART NO.	DESCRIPTION	Q'TY	POLYCHEM PART #
6	M7-8-121402	Press Bar Absorber (For 850W)	2	
		Press Bar Absorber (For 1050W)	1	
		Press Bar Absorber (For 1650W)	1	
7	M7-8-121412	Press Bar Absorber (For 650W)	1	
		Press Bar Absorber (For 1050W)	1	
		Press Bar Absorber (For 1250W)	2	
		Press Bar Absorber (For 1650W)	2	
11	HBS0412N	HBS, M4×12 (N)(For 650W)	6	
		HBS, M4×12 (N)(For 850W~1250W)	12	
		HBS, M4×12 (N)(For 1650W)	18	
	HBS0412S	HBS, M4×12 (Stainless Steel Model) (For 650W)	6	
		HBS, M4×12 (Stainless Steel Model) (For 850W~1250W)	12	
		HBS, M4×12 (Stainless Steel Model) (For 1650W)	18	
14	TTP0412BN	TTP, M4×12 (B)(N)(For 650W)	3	
		TTP, M4×12 (B)(N)(For 850W~1250W)	6	
		TTP, M4×12 (B)(N)(For 1650W)	9	
17	SW04	SW, M4 (For 650W)	6	
		SW, M4 (For 850W~1250W)	12	
		SW, M4 (For 1650W)	18	
	SW04S	SW, M4 (Stainless Steel Model)(For 650W)	6	
		SW, M4 (Stainless Steel Model) (For 850W~1250W)	12	
		SW, M4 (Stainless Steel Model) (For 1650W)	18	
21	PW04	PW, M4 (For 650W)	6	
		PW, M4 (For 850W~1250W)	12	
		PW, M4 (For 1650W)	18	
	PW04S	PW, M4 (Stainless Steel Model)(For 650W)	6	
		PW, M4 (Stainless Steel Model) (For 850W~1250W)	12	
		PW, M4 (Stainless Steel Model)(For 1650W)	18	





8-2 PNEUMATIC PARTS GROUP

M7-8-200000 M7-8-200010

REF. NO.	PART NO.	DESCRIPTION	Q'TY	POLYCHEM PART #
	M7-8-200000	Pneumatic Parts Group (For 650W×500H)	1	
	M7-8-200010	Pneumatic Parts Group (For 850W×600H)	1	
	M7-8-200020	Pneumatic Parts Group (For 1050W×800H)	1	
	M7-8-200030	Pneumatic Parts Group (For 1250W×500H)	1	
	M7-8-200040	Pneumatic Parts Group (For 1250W×800H)	1	
	M7-8-200050	Pneumatic Parts Group (For 1650W×500H)	1	
3	M7-8-201300	Regulator, 3/8"	1	
4	M7-8-201400	Solenoid Valve	1	
5	M7-8-201500	Tube Fitting-Straight, ϕ 10-1/4"	1	
6	M7-8-201600	Tube Fitting-Elbow, ϕ 10-1/4"	3	
7	M7-8-201700	Air F.R.L. (Filter/Regulator/Lubricator)	1	
8	M7-8-201800	Tube Fitting-Elbow, ϕ 10-3/8"	2	
9	M7-8-201900	Brass Silencer, 1/4"	2	
10	M7-8-202000	Quick Coupler (Male), 3/8"	1	
22	M7-8-200200	Regulator Combination	1	
23	M7-8-200300	Solenoid Valve Ass'y	1	
24	M7-8-200400	Air F.R.L. Combination (Filter/Regulator/Lubricator)	1	
27	T7-8-30160	Tube Fitting-Elbow, ϕ 8-3/8"	2	
28	T7-8-30190	Tube Fitting-Elbow, ϕ 8-1/4"	2	
29	T7-8-30370	Quick Coupler (Female), 6.5×10	1	
31	PU080350	PU Tubing, ϕ 8×350	1	
32	PU080980	PU Tubing, ϕ 8×980	1	
33	PU081200	PU Tubing, ϕ 8×1200 (For 500H)	1	
	PU081300	PU Tubing, ϕ 8×1300 (For 600H)	1	
	PU081500	PU Tubing, ϕ 8×1500 (For 800H)	1	
34	PU101020	PU Tubing, ϕ 10×1020 (For 650W×500H)	1	
	PU101320	PU Tubing, ϕ 10×1320 (For 850W×600H)	1	
	PU101720	PU Tubing, ϕ 10×1720 (For 1050W×800H)	1	
	PU101620	PU Tubing, ϕ 10×1620 (For 1250W×500H)	1	
	PU101920	PU Tubing, ϕ 10×1920 (For 1250W×800H)	1	
	PU102020	PU Tubing, ϕ 10×2020 (For 1650W×500H)	1	
35	PU101550	PU Tubing, ϕ 10×1550	1	
36	PU101230	PU Tubing, ϕ 10×1230	1	
37	PU102350	PU Tubing, ϕ 10×2350 (For 650W×500H)	2	
	PU102650	PU Tubing, ϕ 10×2650 (For 850W×600H)	2	
	PU103050	PU Tubing, ϕ 10×3050 (For 1050W×800H)	2	
	PU102950	PU Tubing, ϕ 10×2950 (For 1250W×500H)	2	
	PU103250	PU Tubing, ϕ 10×3250 (For 1250W×800H)	2	
	PU103350	PU Tubing, ϕ 10×3350 (For 1650W×500H)	2	

06/2017