

**CB4000SQ**

**POLYCHEM**<sup>®</sup>  
PLASTIC STRAPPING SYSTEMS

## **IN-LINE CORRUGATED BUNDLER AUTOMATIC STRAPPING MACHINE**

**UP TO  
25  
BUNDLES PER  
MINUTE!**



### **In-Line Corrugated Bundler with 3 Sided Squaring Capability**

- **Full Color Touch Screen Controls**
  - Easy One Button Setup
  - Fast Batch Programming
  - Diagnostics
  - Efficiency Log



# CB4000SQ In-Line Corrugated Bundler with 3 Sided Squaring

The CB4000SQ in line corrugated bundler incorporates the latest servo motor technology that provides the ultimate in reliability. This technology also provides high speed production rates, 40% less moving parts and minimal maintenance requirements. The quick adjust backstops with squaring devices produces square neat bundles. These devices are accurately driven by DC brushless motors. Once the backstop is set in position with the wheel driven gear rack, the squaring can be quickly set up with a one button learning mode. There is also the ability to program and save recipes for quick batch setup. The CB4000SQ includes new and exclusive features only available on this innovative in line corrugated bundler. All features are standard and are included with no additional cost.

## Standard Features

### Electrical

- Full color touch screen provides user friendly operation, diagnostics and easy batch programming for quick product changes.
- All electric 3 sided squaring.
- One button setup mode.
- Off the shelf Mitsubishi PLC, Yaskawa servo motors, drives and electrical components. All solid state photo cells and sensors.
- Four tier LED status light tower.
- Variable speed conveyor.
- Up and down stream interlocks for communication.
- Conveyor sleep mode for power and wear reduction.
- Long life heater blade with fume exhaust system.

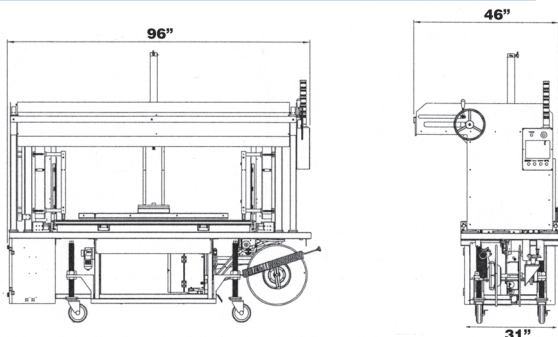
### Mechanical

- Both conveyor beds open a full 270 degrees for easy access and maintenance.
- Strap reel turns 90 degrees for good ergonomics and easy coil changes.
- Automatic waist high strap loading is quick, easy and ergonomic.
- Automatic strap eject at the end of a coil.
- Automatic loop ejector prevents strap jams during accidental strap cycles.
- One piece plastic strap track for highly reliable and consistent strap feeding.
- Heaviest casters, legs and frame in the industry provides durability.
- Dual pneumatic compression device for bundle conditioning.

### Options

- Box Frame for additional conveyor height

## Dimensions



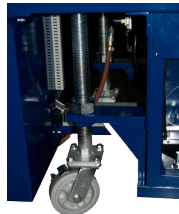
## Specifications

<b>Cycle Rate:</b>	Up to 25 bundles per minute depending on arch and package size
<b>Arch Sizes:</b>	65" Standard
<b>Conveyor Speed:</b>	Variable (30 FPM - 180 FPM)
<b>Conveyor Height:</b>	27"-55"
<b>Strap Tension:</b>	1-66LBS (5mm) / 1-110LBS (9mm)
<b>Polypropylene Strap:</b>	5mm, 6mm, 9mm Polypropylene on 8x8 or 9x8 Cores
<b>Electrical Requirements:</b>	220 / 480, 60Hz, 3 Phase
<b>Air Requirements:</b>	4 CFM @ 90 PSI
<b>Shipping Weight:</b>	1,500 lbs



Four tier LED status light tower

Extra Heavy Duty Adjustable Castors



6277 HEISLEY ROAD  
MENTOR, OHIO 44060  
(440) 357-1500  
FAX (440) 352-9553

WEST COAST DISTRIBUTION CENTER  
11920 ALTAMAR PLACE  
SANTA FE SPRINGS, CA 90670  
(562) 903-4576  
FAX (562) 903-4579  
1-800-899-0822

CALL TOLL FREE 1-888-POLYCHEM  
www.polychem.com

or 1-888-765-9243

