

PBSU

POLYCHEM[®]
PLASTIC STRAPPING SYSTEMS

AUTOMATIC STRAPPING MACHINE



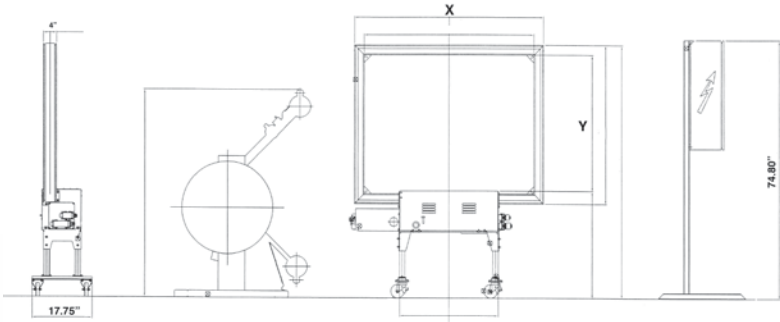
- ***Bottom Seal***
- ***High Tension Strapping Head***
- ***Simple Design, Robust Construction***



PBSU Bottom Seal Automatic Strapping Machine

Polychem's standard bottom seal machine can be customized to meet your specific packing needs. They provide the same reliability and robust construction of the larger machines. These machines can be integrated with powered conveyors for fully automatic processes or they can be coupled with gravity conveyor for semi-automatic processes. Polychem's bottom seal machines are used in applications that require the package height to be fairly low or may vary in height. They are less expensive than top seal machines.

Dimensions



Note: Dimensions X and Y will vary based upon applications.



Electrical Control Panel

OMS HEAD CHOICES

TECHNICAL SPECIFICATIONS	TR14	TR14HD	TR18	TR19HT
Strap Type	PP-PET	PP-PET	PET	PET
Strap Width	from .37" to .62"		from .50" to .75"	from .50" to .75"
Strap Thickness	from .019" to .030"		from .030" to .050"	from .030" to .050"
Maximum Pack Tensioning	400 lbs.		900 lbs	1500 lbs
Continuous Use Tensioning	200 lbs.	400 lbs.	600 lbs	1500 lbs
Utilization Temperature	32° - 120°F			
Noise Level	70 Db			

Specifications

- Allen-Bradley PLC
- 480 VAC/3 phase, 60 Hz, 15 Amp service required
- TR strapping head of your choice: TR14, TR14HD, TR18, or TR19HT
- Custom arch sizes to fit your product
- Automatic heater blade cleaning cycle (TR14HD, TR18, TR19HT)
- Aluminum extruded strap track
- Seals are made on the bottom

Options

- Infeed conveyor
- Outfeed conveyor
- Spare head
- Fully operational test stand
- Touch screen operator interface panel
- PLC modem connection



CALL TOLL FREE 1-800-548-9557
www.polychem.com

6277 HEISLEY ROAD
MENTOR, OHIO 44060
(440) 357-1500
FAX (440) 352-9553

WEST COAST DISTRIBUTION CENTER
11920 ALTAMAR PLACE
SANTA FE SPRINGS, CA 90670
(562) 903-4579
FAX (562) 903-4579
1-800-899-0822

POLYCHEM OMS SYSTEMS
6277 HEISLEY ROAD
MENTOR, OHIO 44060
(440) 357-1500
FAX (440) 352-9553

